

A-INFO Microwave

Connector, Adapter And Cable Assembly

 WeChat ID: 英联微波

Scan the QR code to follow us on Wechat:



Review www.ainfoinc.com for the most updated product info.

Chengdu AINFO Inc. is an ISO 9001:2015 certified manufacturer.

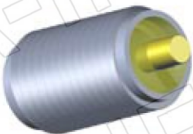
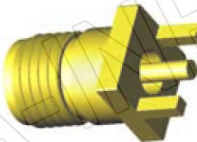
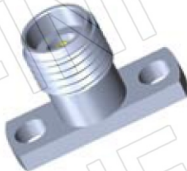


For the most updated info., pls. visit www.ainfoinc.com or send e-mail to sales@ainfoinc.com

Content

RF COAXIAL CONNECTORS.....	1
<i>SMA CONNECTOR SERIES.....</i>	<i>2</i>
<i>TNCA CONNECTOR SERIES.....</i>	<i>37</i>
<i>2.92MM CONNECTOR SERIES.....</i>	<i>41</i>
<i>2.4MM CONNECTOR SERIES.....</i>	<i>58</i>
N TYPE CONNECTOR SERIES.....	74
SSMA CONNECTOR SERIES.....	83
1.85MM CONNECTOR SERIES.....	88
RF COAXIAL ADAPTERS.....	92
N TYPE IN-SERIES ADAPTERS.....	93
N TYPE IN-SERIES RIGHT ANGLE ADAPTERS.....	95
SMA IN-SERIES ADAPTERS.....	96
SMA IN-SERIES RIGHT ANGLE ADAPTERS.....	98
3.5MM IN-SERIES ADAPTERS.....	99
3.5MM IN-SERIES RIGHT ANGLE ADAPTERS.....	100
2.92MM IN-SERIES ADAPTERS.....	101
2.92MM IN-SERIES RIGHT ANGLE ADAPTERS.....	103
2.4MM IN-SERIES ADAPTERS.....	104
TNC IN-SERIES ADAPTERS.....	105
TNCA IN-SERIES ADAPTERS.....	106
1.85MM IN-SERIES ADAPTERS.....	107
N-3.5MM BETWEEN SERIES ADAPTERS.....	108
N-2.92MM BETWEEN SERIES ADAPTERS.....	109
N-2.4MM BETWEEN SERIES ADAPTERS.....	110
N-TNC BETWEEN SERIES ADAPTERS.....	111
N-SMA BETWEEN SERIES ADAPTERS.....	112
N-TNCA BETWEEN SERIES ADAPTERS.....	114
3.5MM-2.92MM BETWEEN SERIES ADAPTERS.....	115
3.5MM-2.4MM BETWEEN SERIES ADAPTERS.....	117
3.5MM-SMA BETWEEN SERIES ADAPTERS.....	118
3.5MM-1.85MM BETWEEN SERIES ADAPTERS.....	119
2.92MM-2.4MM BETWEEN SERIES ADAPTERS.....	120
2.92MM-SMA BETWEEN SERIES ADAPTERS.....	122
2.92MM-1.85MM BETWEEN SERIES ADAPTERS.....	123
2.4MM-SMA BETWEEN SERIES ADAPTERS.....	124
2.4MM-1.85MM BETWEEN SERIES ADAPTERS.....	126
TNC-SMA BETWEEN SERIES ADAPTERS.....	127
TNCA-SMA BETWEEN SERIES ADAPTERS.....	128
7MM SERIES ADAPTERS.....	129
QUICK REPLACEMENT ADAPTERS.....	130
ADAPTER KITS.....	131
APPLICATION NOTES.....	134
GLASS BEADS.....	138
CABLE ASSEMBLY.....	140
DC-3GHZ CABLE ASSEMBLY.....	141
DC-6GHZ CABLE ASSEMBLY.....	142
DC-12GHZ CABLE ASSEMBLY.....	143
DC-18GHZ CABLE ASSEMBLY.....	144
DC-26.5GHZ CABLE ASSEMBLY.....	145
DC-40GHZ CABLE ASSEMBLY.....	146
DC-50GHZ CABLE ASSEMBLY.....	147
DC-67GHZ CABLE ASSEMBLY.....	148

RF Coaxial Connectors



SMA Connector Series

Performance Features

Nominal Impedance	50ohm
Frequency Range	DC-27GHz
VSWR:	
DC-18GHz...	1.10:1 max
18-27GHz...	1.15:1 max
Durability	500cycles
Operating Temperature	-55°C ~ +165°C

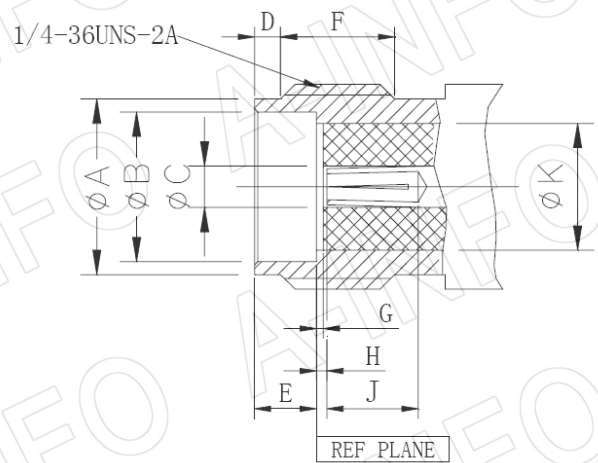
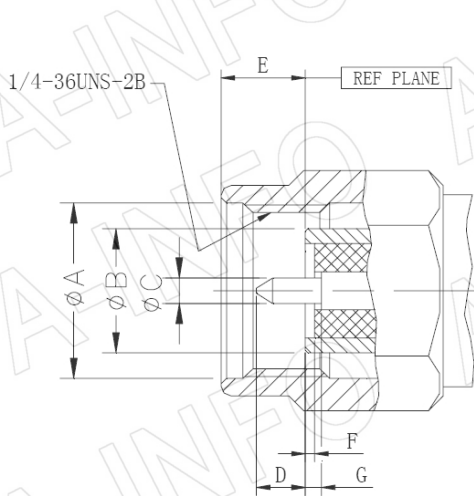
Materials/Finishes

Housing: Type 303 Stainless Steel-Polished&Passivated

Center Contact: Beryllium Copper Plated Gold (MIL-G-45204)

Insulators: PEI or PEI&PTFE

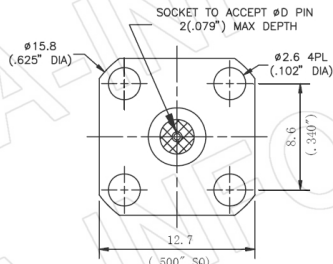
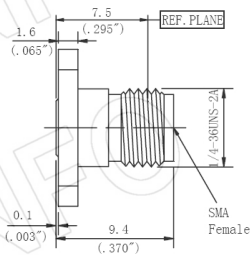
Interfaces: **PER MIL-STD-348A**



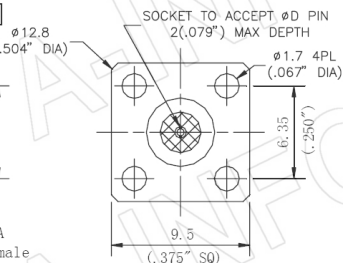
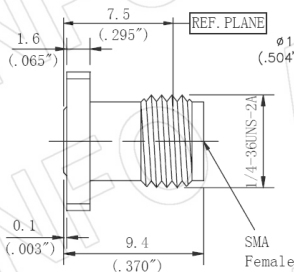
LTR	SMA Male			
	mm	Inch	mm	Inch
A	6.473	6.6	0.255	0.265
B	4.52	4.59	0.1780	0.1808
C	0.90	0.93	0.0355	0.0365
D	2.03	2.29	0.080	0.090
E	2.59	3.35	0.102	0.132
F	0.00	0.05	0.000	0.002
G	0.00	0.08	0.000	0.003

LTR	SMA Female			
	mm	Inch	mm	Inch
A	5.28	5.49	0.208	0.216
B	4.60	4.67	0.1810	0.1837
C	1.27	1.29	0.0500	0.0506
D	0.38	1.14	0.015	0.045
E	1.88	1.98	0.074	0.078
F	3.81	-	0.150	-
G	0.00	0.05	0.000	0.002
H	0.00	0.08	0.000	0.003
J	2.34	-	0.100	-
K	4.10	4.13	0.1615	0.1625

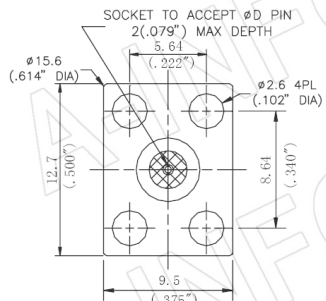
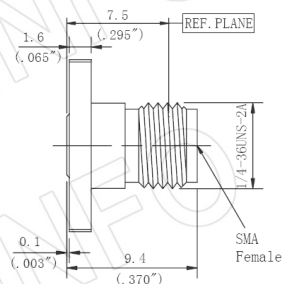
SMA Series Field Replaceable Flange Connectors



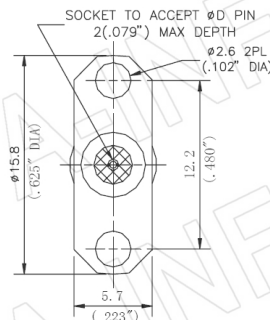
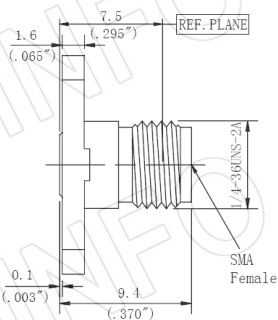
P/N	D
HPC1010-09	0.009inch/0.23mm
HPC1010-12	0.012inch/0.30mm
HPC1010-15	0.015inch/0.38mm
HPC1010-18	0.018inch/0.46mm
HPC1010-20	0.020inch/0.51mm



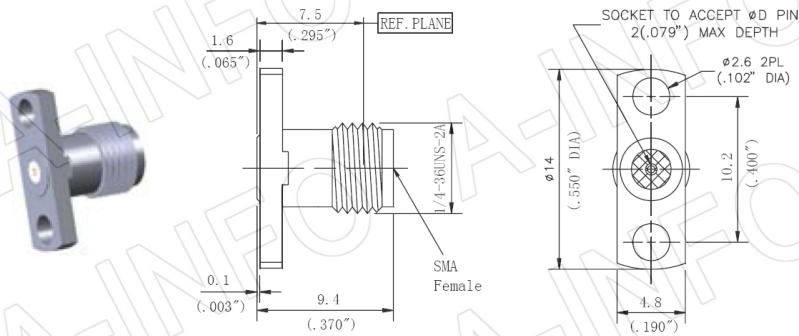
P/N	D
HPC1011-09	0.009inch/0.23mm
HPC1011-12	0.012inch/0.30mm
HPC1011-15	0.015inch/0.38mm
HPC1011-18	0.018inch/0.46mm
HPC1011-20	0.020inch/0.51mm



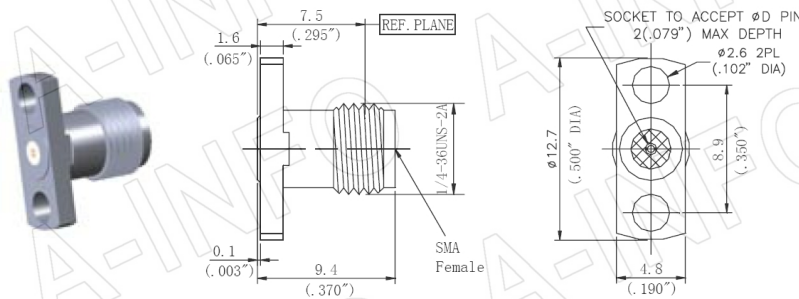
P/N	D
HPC1012-09	0.009inch/0.23mm
HPC1012-12	0.012inch/0.30mm
HPC1012-15	0.015inch/0.38mm
HPC1012-18	0.018inch/0.46mm
HPC1012-20	0.020inch/0.51mm



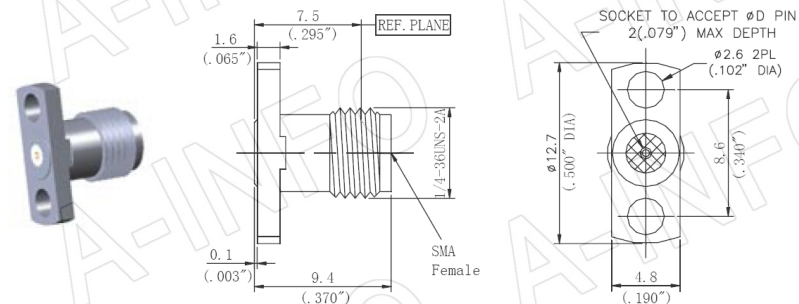
P/N	D
HPC1013-09	0.009inch/0.23mm
HPC1013-12	0.012inch/0.30mm
HPC1013-15	0.015inch/0.38mm
HPC1013-18	0.018inch/0.46mm
HPC1013-20	0.020inch/0.51mm



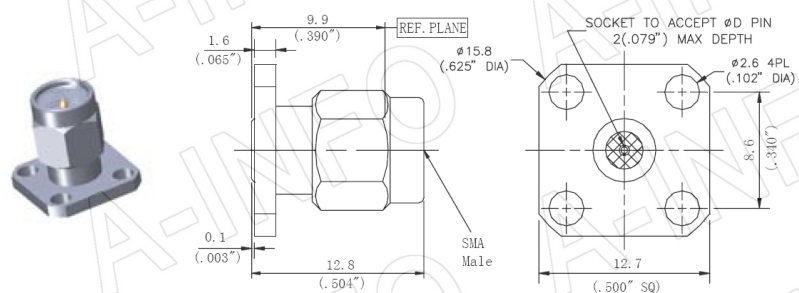
P/N	D
HPC1014-09	0.009inch/0.23mm
HPC1014-12	0.012inch/0.30mm
HPC1014-15	0.015inch/0.38mm
HPC1014-18	0.018inch/0.46mm
HPC1014-20	0.020inch/0.51mm



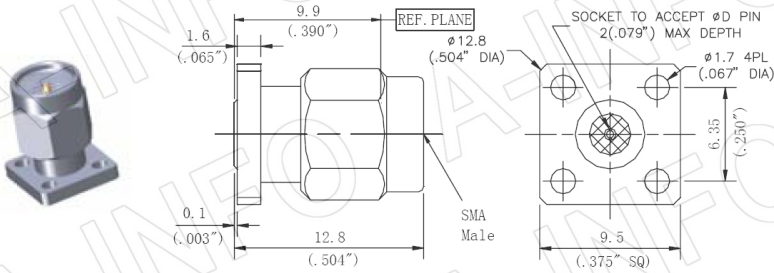
P/N	D
HPC1015-09	0.009inch/0.23mm
HPC1015-12	0.012inch/0.30mm
HPC1015-15	0.015inch/0.38mm
HPC1015-18	0.018inch/0.46mm
HPC1015-20	0.020inch/0.51mm



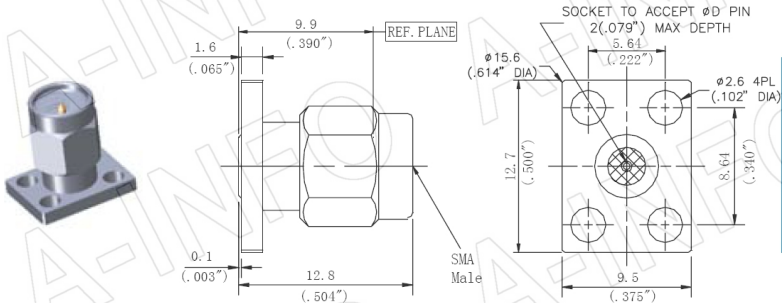
P/N	D
HPC1016-09	0.009inch/0.23mm
HPC1016-12	0.012inch/0.30mm
HPC1016-15	0.015inch/0.38mm
HPC1016-18	0.018inch/0.46mm
HPC1016-20	0.020inch/0.51mm



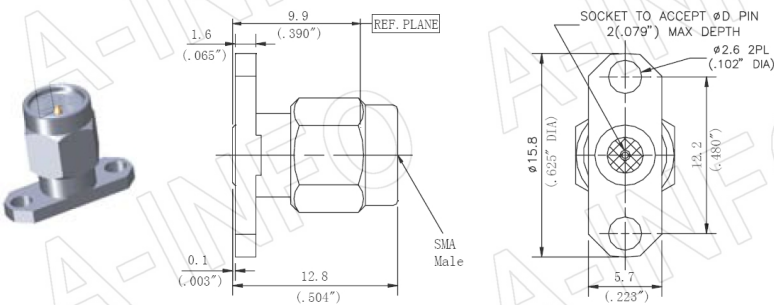
P/N	D
HPC1017-09	0.009inch/0.23mm
HPC1017-12	0.012inch/0.30mm
HPC1017-15	0.015inch/0.38mm
HPC1017-18	0.018inch/0.46mm
HPC1017-20	0.020inch/0.51mm



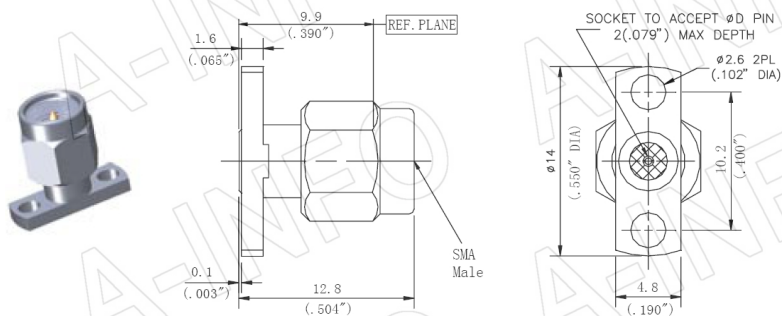
P/N	D
HPC1018-09	0.009inch/0.23mm
HPC1018-12	0.012inch/0.30mm
HPC1018-15	0.015inch/0.38mm
HPC1018-18	0.018inch/0.46mm
HPC1018-20	0.020inch/0.51mm



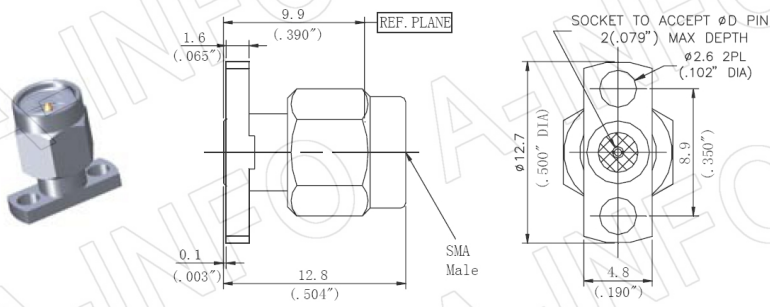
P/N	D
HPC1019-09	0.009inch/0.23mm
HPC1019-12	0.012inch/0.30mm
HPC1019-15	0.015inch/0.38mm
HPC1019-18	0.018inch/0.46mm
HPC1019-20	0.020inch/0.51mm



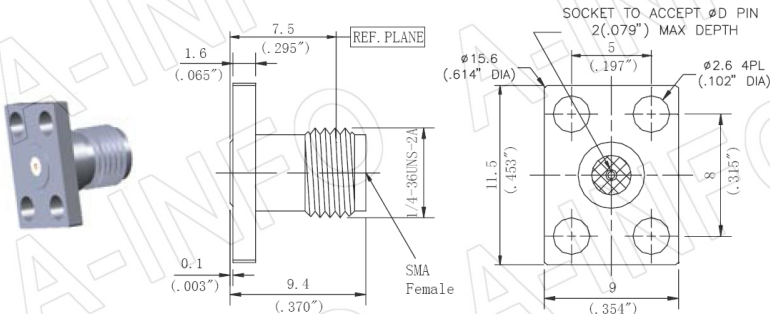
P/N	D
HPC1020-09	0.009inch/0.23mm
HPC1020-12	0.012inch/0.30mm
HPC1020-15	0.015inch/0.38mm
HPC1020-18	0.018inch/0.46mm
HPC1020-20	0.020inch/0.51mm



P/N	D
HPC1021-09	0.009inch/0.23mm
HPC1021-12	0.012inch/0.30mm
HPC1021-15	0.015inch/0.38mm
HPC1021-18	0.018inch/0.46mm
HPC1021-20	0.020inch/0.51mm

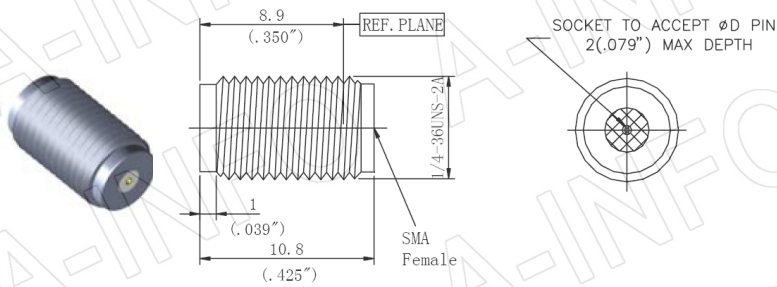


P/N	D
HPC1022-09	0.009inch/0.23mm
HPC1022-12	0.012inch/0.30mm
HPC1022-15	0.015inch/0.38mm
HPC1022-18	0.018inch/0.46mm
HPC1022-20	0.020inch/0.51mm



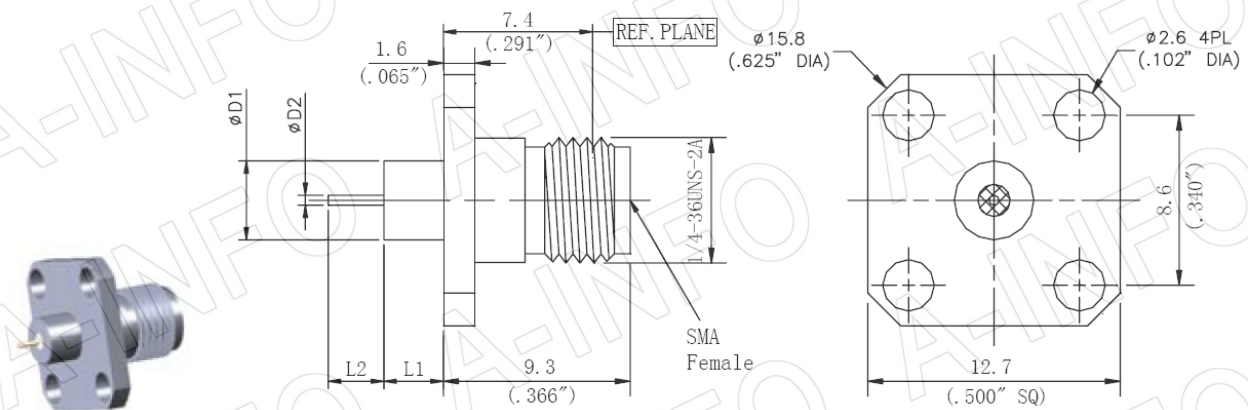
P/N	D
HPC1023-09	0.009inch/0.23mm
HPC1023-12	0.012inch/0.30mm
HPC1023-15	0.015inch/0.38mm
HPC1023-18	0.018inch/0.46mm
HPC1023-20	0.020inch/0.51mm

SMA Series Remove Screw Thread Connector

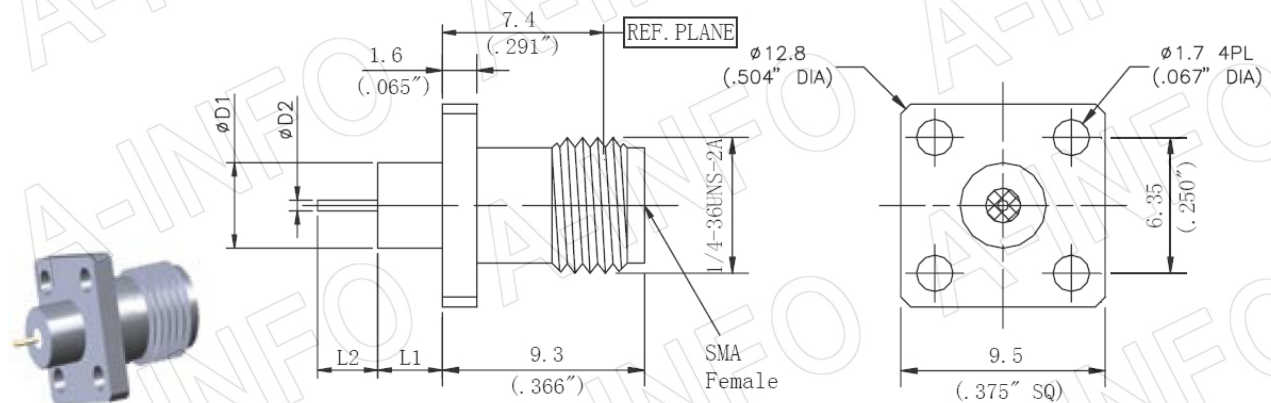


P/N	D
HPC1311-09	0.009inch/0.23mm
HPC1311-12	0.012inch/0.30mm
HPC1311-15	0.015inch/0.38mm
HPC1311-18	0.018inch/0.46mm
HPC1311-20	0.020inch/0.51mm

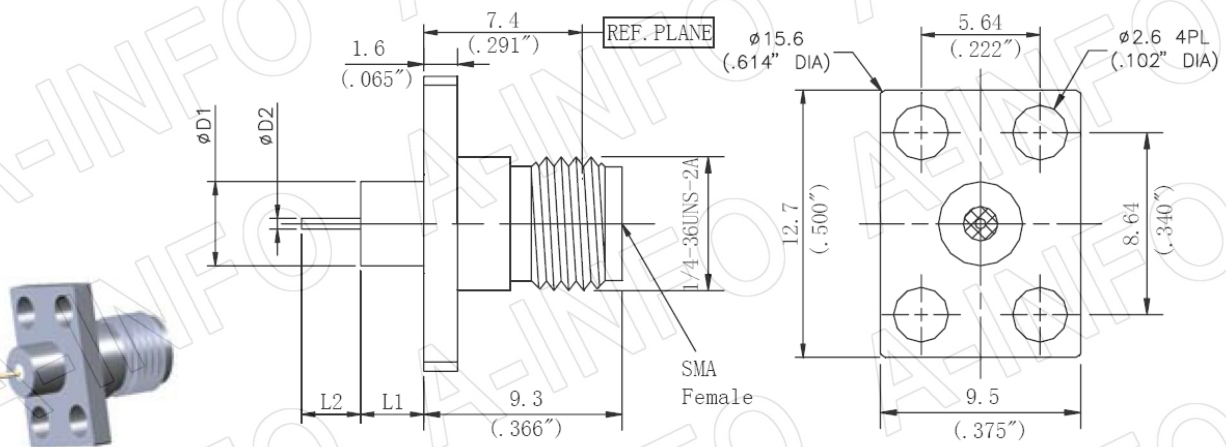
SMA Series Round Contact Connectors



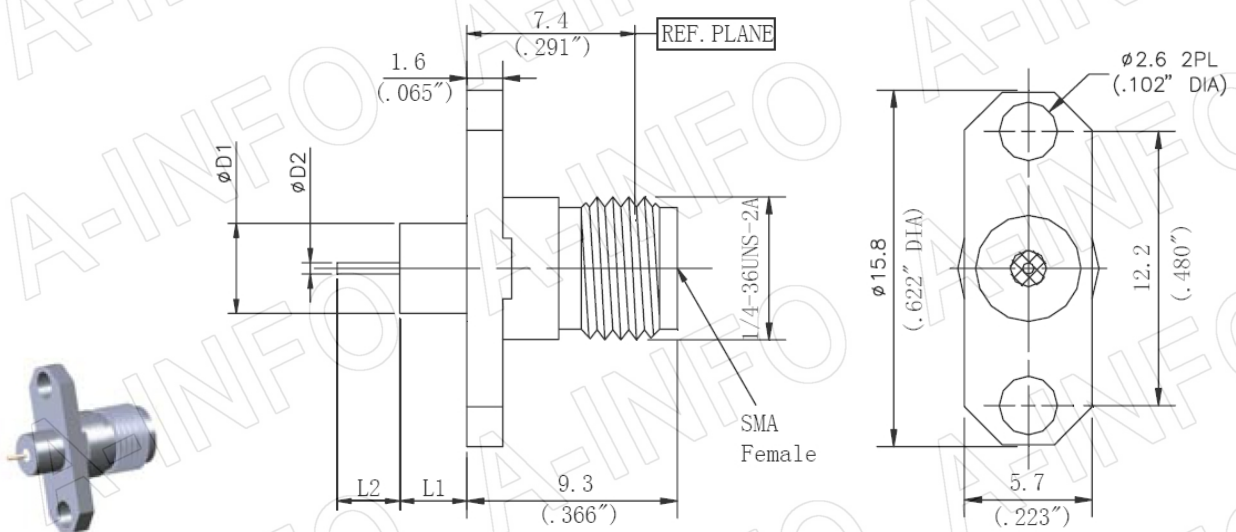
P/N	D1	D2	L1	L2
HPC1410-01	4mm/0.158inch	0.8mm/0.031inch	4mm/0.158inch	2mm/0.079inch
HPC1412-01	4mm/0.158inch	0.38mm/0.015inch	3mm/0.118inch	2mm/0.079inch



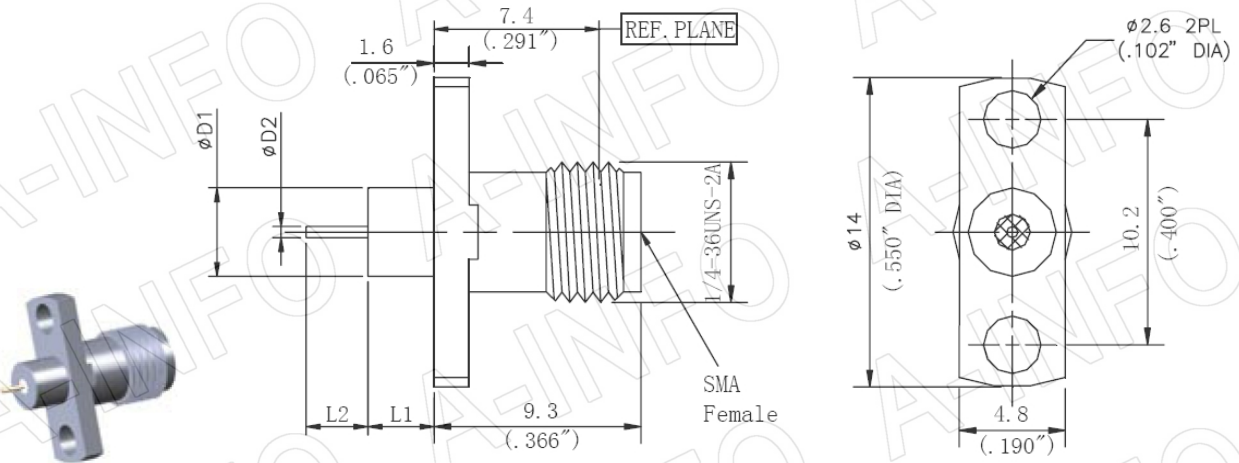
P/N	D1	D2	L1	L2
HPC1410-02	4mm/0.158inch	0.8mm/0.031inch	4mm/0.158inch	2mm/0.079inch
HPC1412-02	4mm/0.158inch	0.38mm/0.015inch	3mm/0.118inch	2mm/0.079inch



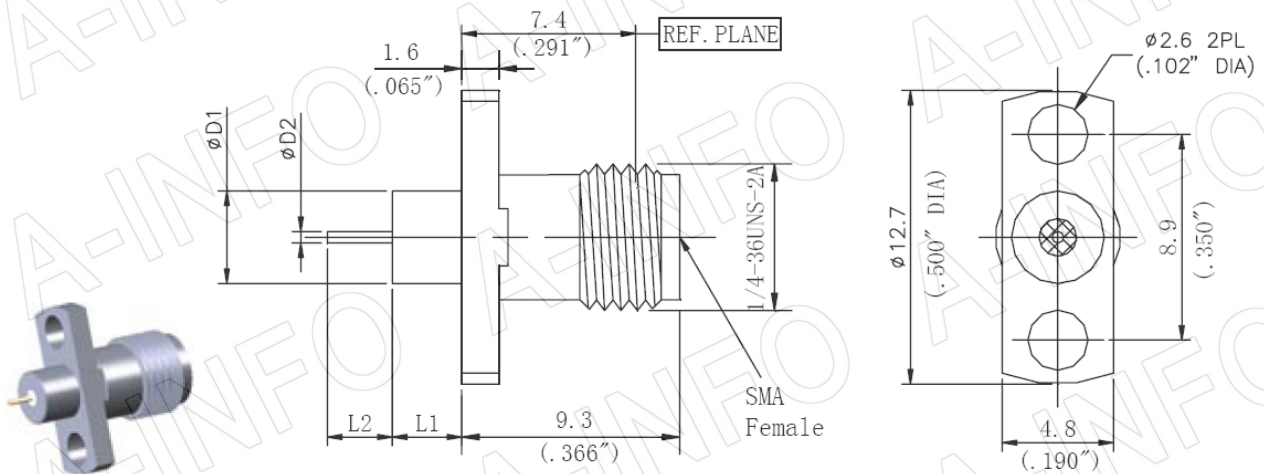
P/N	D1	D2	L1	L2
HPC1410-03	4mm/0.158inch	0.8mm/0.031inch	4mm/0.158inch	2mm/0.079inch
HPC1412-03	4mm/0.158inch	0.38mm/0.015inch	3mm/0.118inch	2mm/0.079inch



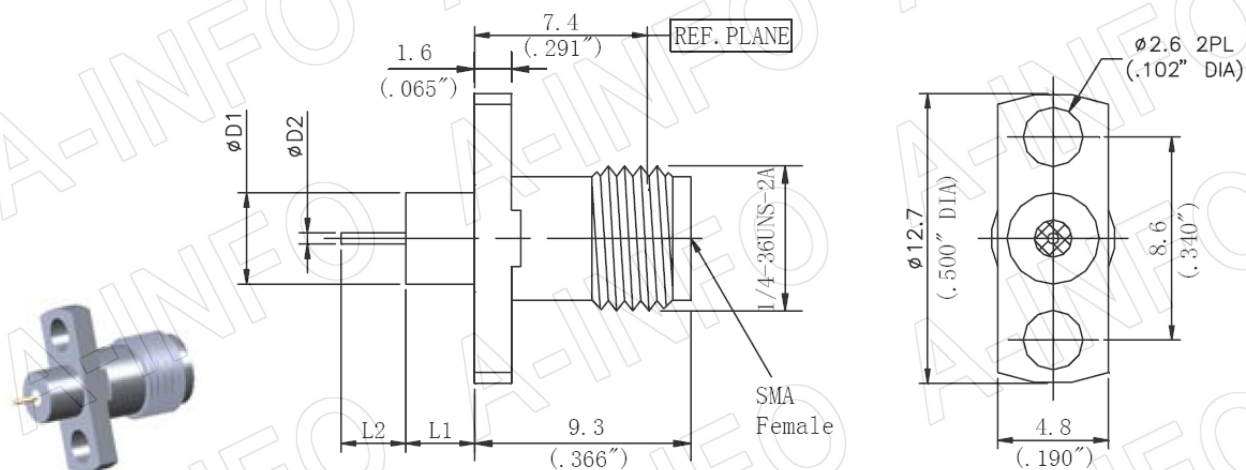
P/N	D1	D2	L1	L2
HPC1411-01	4mm/0.158inch	0.8mm/0.031inch	4mm/0.158inch	2mm/0.079inch
HPC1413-01	4mm/0.158inch	0.38mm/0.015inch	3mm/0.118inch	2mm/0.079inch



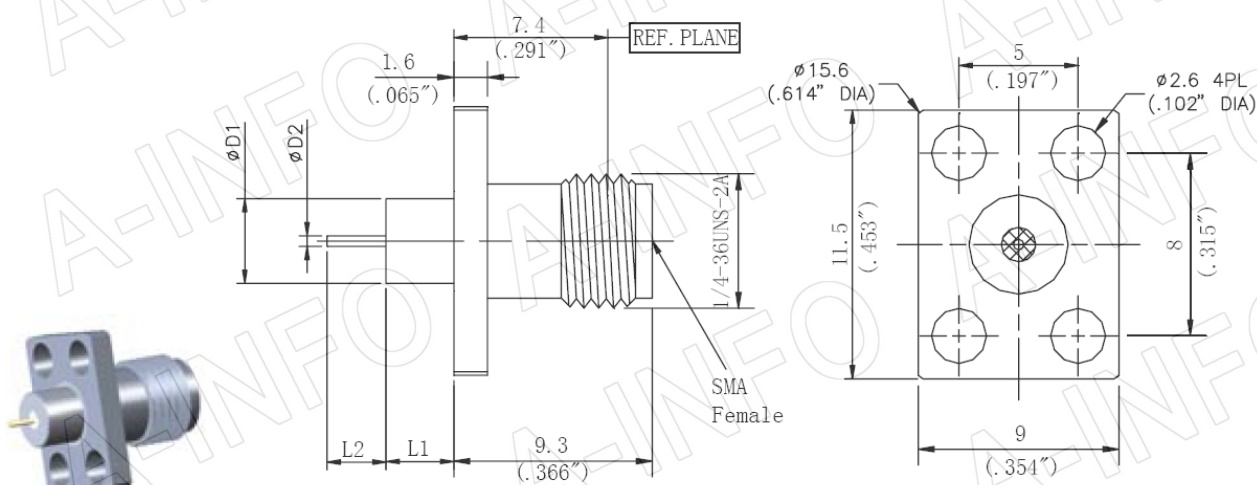
P/N	D1	D2	L1	L2
HPC1411-02	4mm/0.158inch	0.8mm/0.031inch	4mm/0.158inch	2mm/0.079inch
HPC1413-02	4mm/0.158inch	0.38mm/0.015inch	3mm/0.118inch	2mm/0.079inch



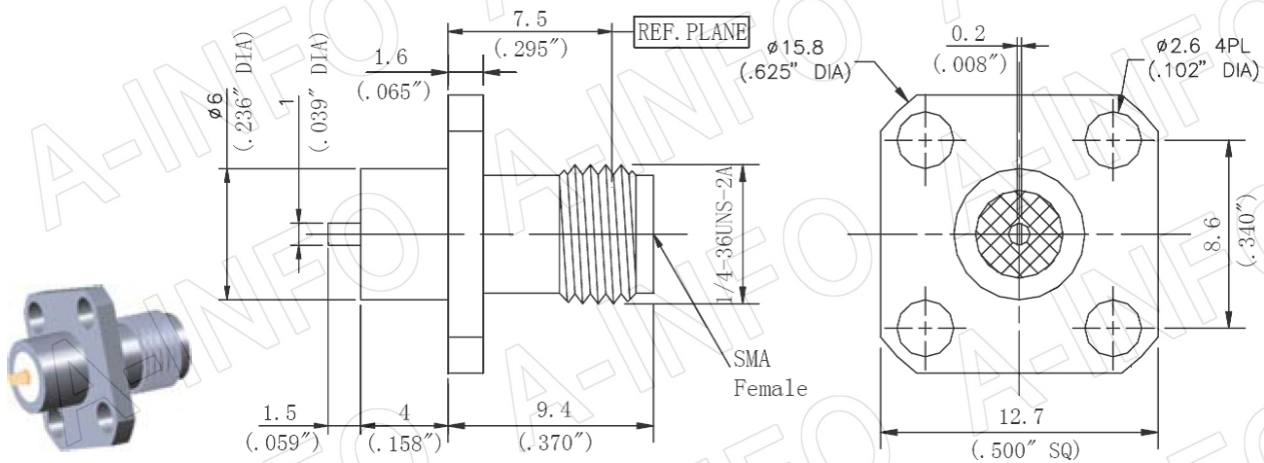
P/N	D1	D2	L1	L2
HPC1411-03	4mm/0.158inch	0.8mm/0.031inch	4mm/0.158inch	2mm/0.079inch
HPC1413-03	4mm/0.158inch	0.38mm/0.015inch	3mm/0.118inch	2mm/0.079inch



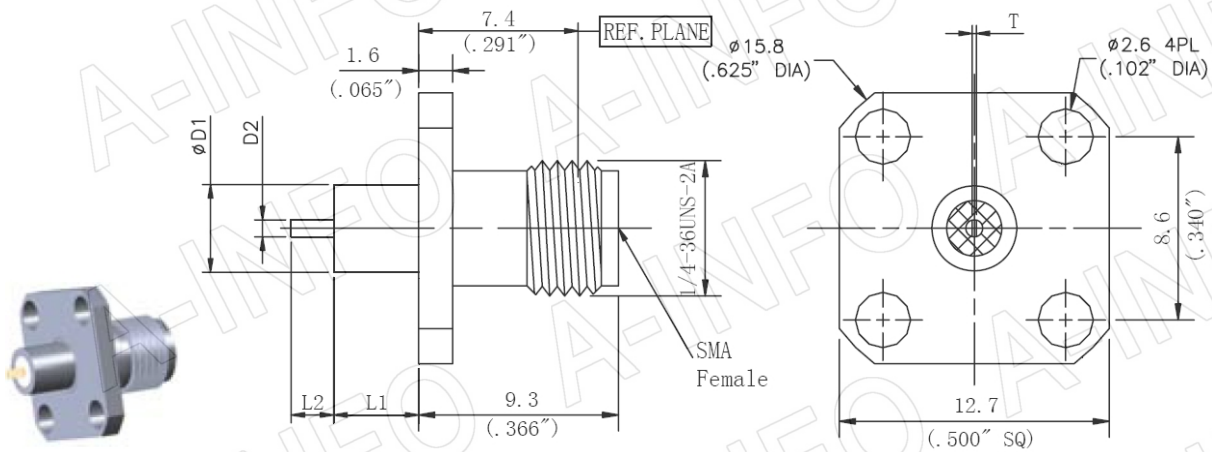
P/N	D1	D2	L1	L2
HPC1411-04	4mm/0.158inch	0.8mm/0.031inch	4mm/0.158inch	2mm/0.079inch
HPC1413-04	4mm/0.158inch	0.38mm/0.015inch	3mm/0.118inch	2mm/0.079inch



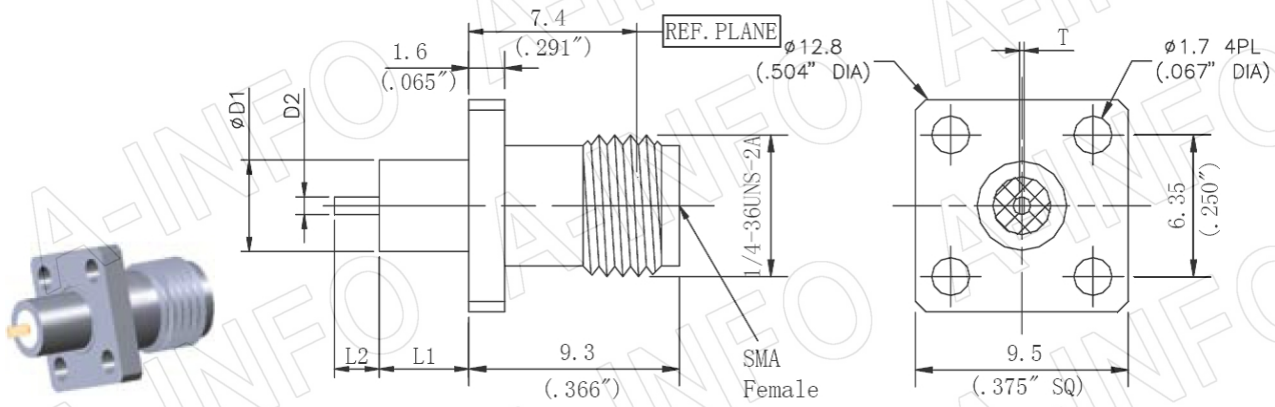
P/N	D1	D2	L1	L2
HPC1418-01	4mm/0.158inch	0.8mm/0.031inch	4mm/0.158inch	2mm/0.079inch
HPC1418-02	4mm/0.158inch	0.38mm/0.015inch	3mm/0.118inch	2mm/0.079inch



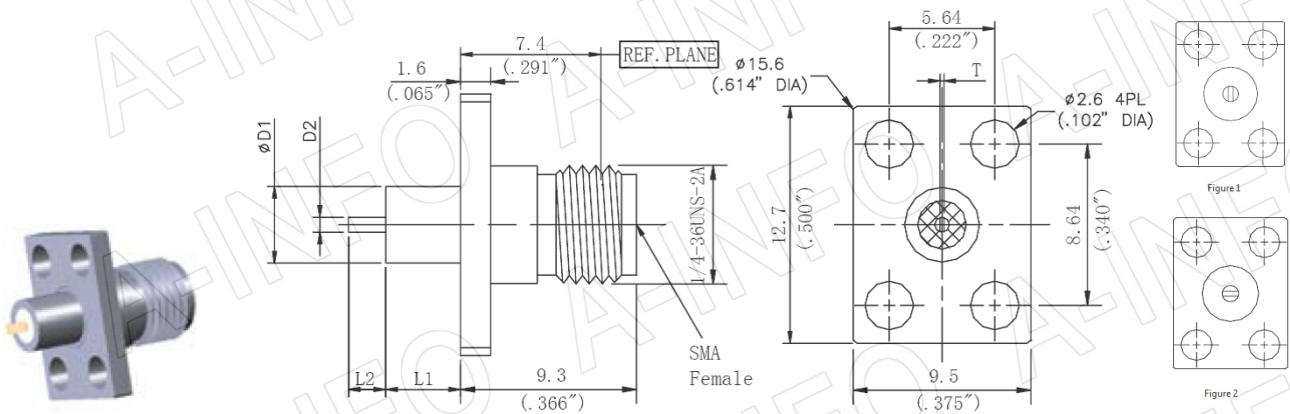
P/N
HPC1419-01



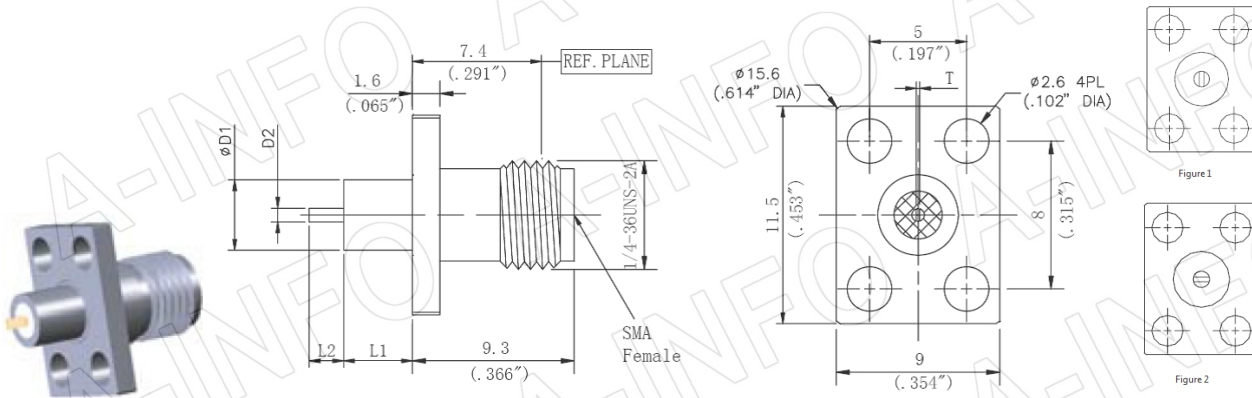
P/N	D1	D2	L1	L2	T
HPC1420-01	4mm/0.158inch	0.8mm/0.031inch	4mm/0.158inch	1.5mm/0.06inch	0.2mm/0.008inch



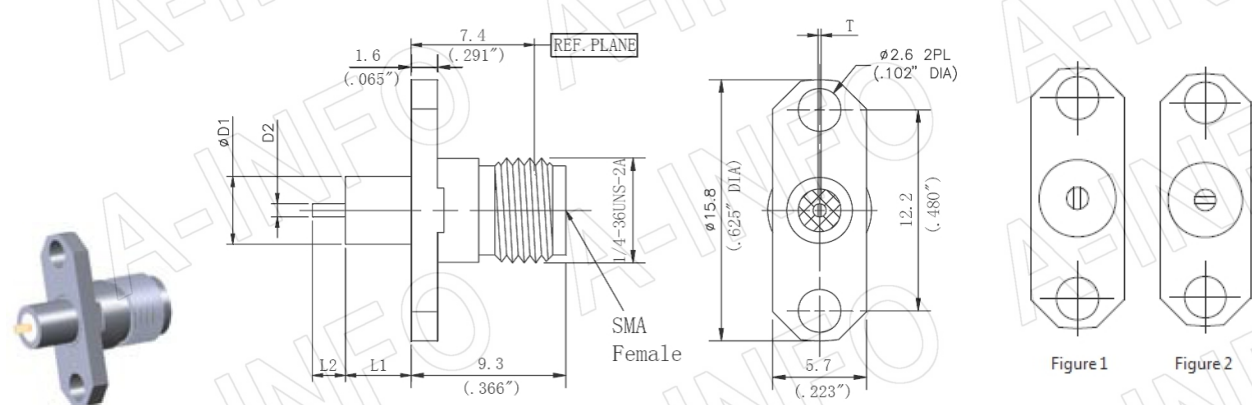
P/N	D1	D2	L1	L2	T
HPC1421-01	4mm/0.158inch	0.8mm/0.031inch	4mm/0.158inch	1.5mm/0.06inch	0.2mm/0.008inch



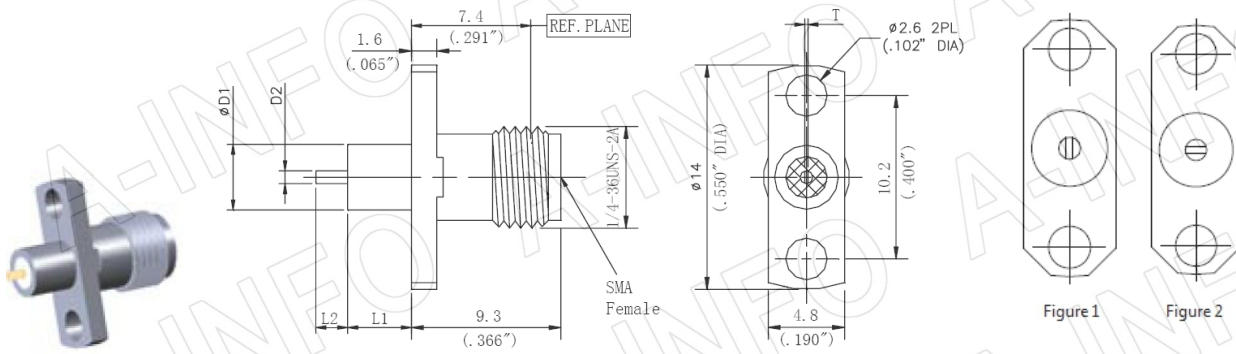
P/N	D1	D2	L1	L2	T	Fig
HPC1422-01	4mm/0.158inch	0.8mm/0.031inch	4mm/0.158inch	1.5mm/0.06inch	0.2mm/0.008inch	1
HPC1422-02	4mm/0.158inch	0.8mm/0.031inch	4mm/0.158inch	1.5mm/0.06inch	0.2mm/0.008inch	2



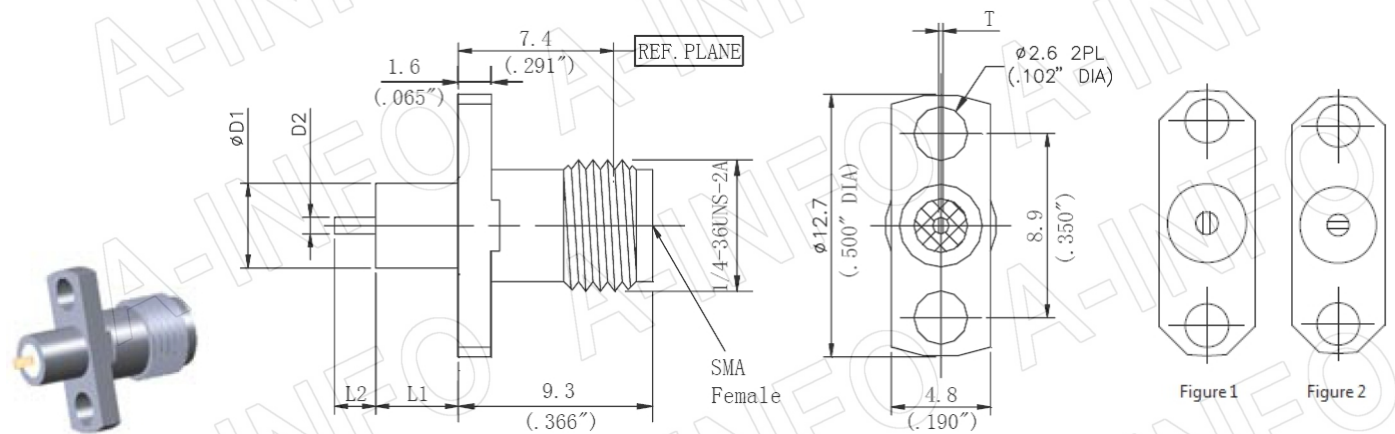
P/N	D1	D2	L1	L2	T	Fig
HPC1423-01	4mm/0.158inch	0.8mm/0.031inch	4mm/0.158inch	1.5mm/0.06inch	0.2mm/0.008inch	1
HPC1423-02	4mm/0.158inch	0.8mm/0.031inch	4mm/0.158inch	1.5mm/0.06inch	0.2mm/0.008inch	2



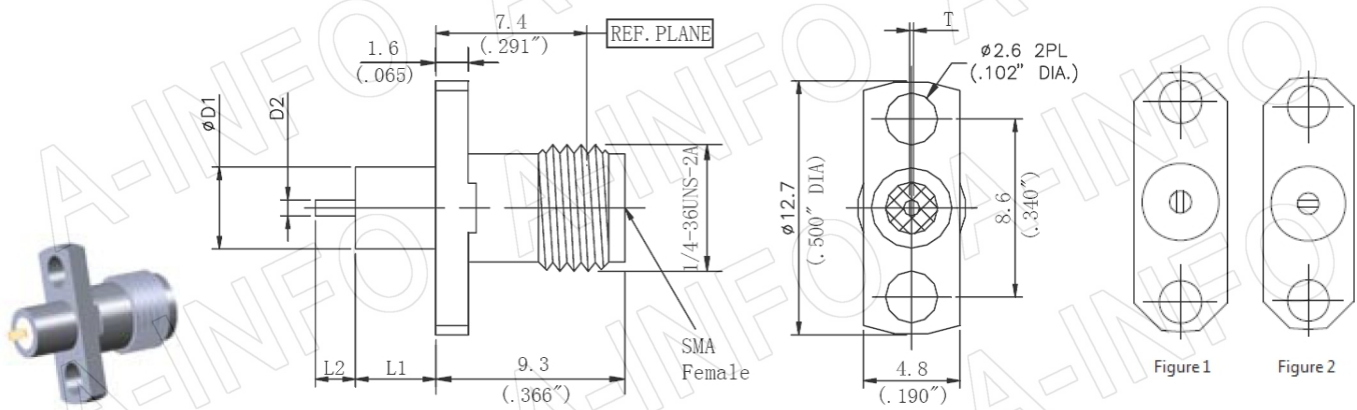
P/N	D1	D2	L1	L2	T	Fig
HPC1424-01	4mm/0.158inch	0.8mm/0.031inch	4mm/0.158inch	1.5mm/0.06inch	0.2mm/0.008inch	1
HPC1424-02	4mm/0.158inch	0.8mm/0.031inch	4mm/0.158inch	1.5mm/0.06inch	0.2mm/0.008inch	2



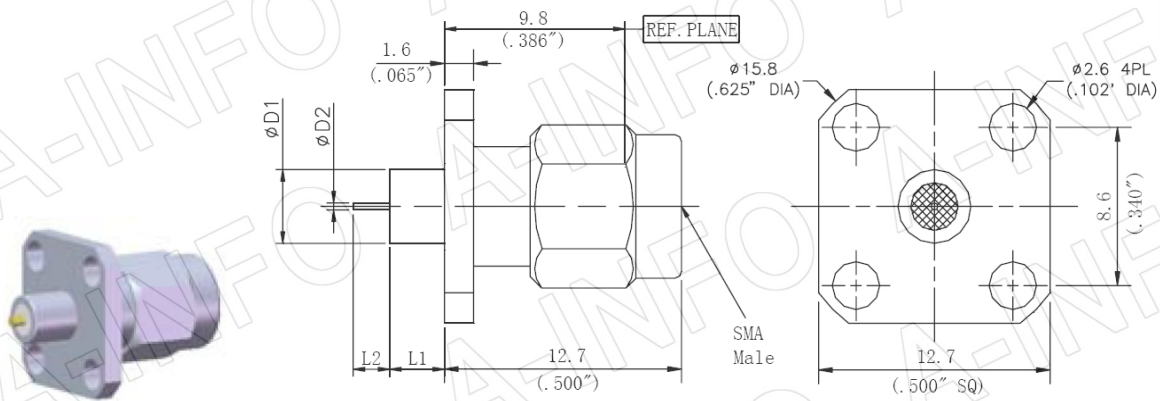
P/N	D1	D2	L1	L2	T	Fig
HPC1425-01	4mm/0.158inch	0.8mm/0.031inch	4mm/0.158inch	1.5mm/0.06inch	0.2mm/0.008inch	1
HPC1425-02	4mm/0.158inch	0.8mm/0.031inch	4mm/0.158inch	1.5mm/0.06inch	0.2mm/0.008inch	2



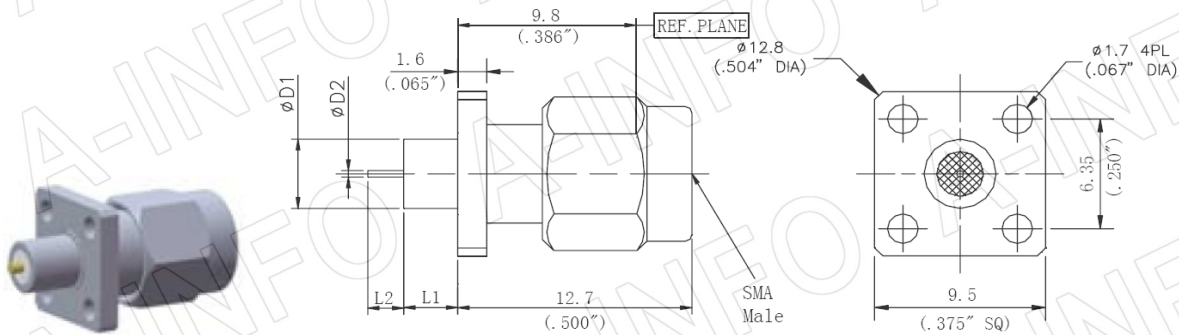
P/N	D1	D2	L1	L2	T	Fig
HPC1426-01	4mm/0.158inch	0.8mm/0.031inch	4mm/0.158inch	1.5mm/0.06inch	0.2mm/0.008inch	1
HPC1426-02	4mm/0.158inch	0.8mm/0.031inch	4mm/0.158inch	1.5mm/0.06inch	0.2mm/0.008inch	2



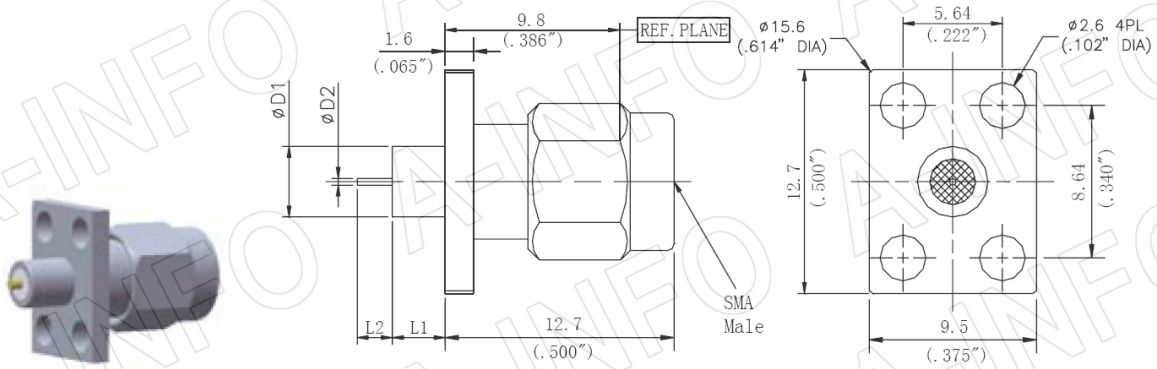
P/N	D1	D2	L1	L2	T	Fig
HPC1427-01	4mm/0.158inch	0.8mm/0.031inch	4mm/0.158inch	1.5mm/0.06inch	0.2mm/0.008inch	1
HPC1427-02	4mm/0.158inch	0.8mm/0.031inch	4mm/0.158inch	1.5mm/0.06inch	0.2mm/0.008inch	2



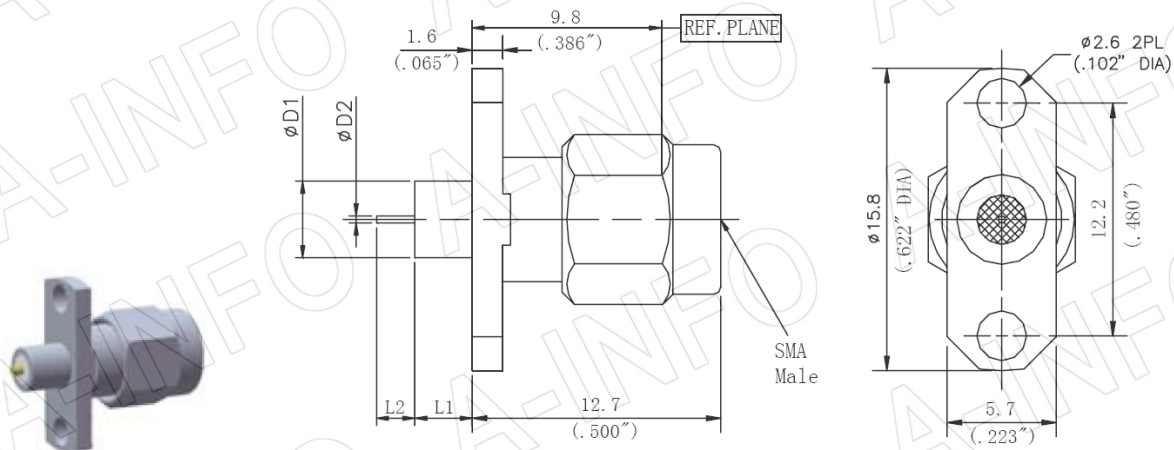
P/N	D1	D2	L1	L2
HPC1428-01	4mm/0.158inch	0.38mm/0.015inch	3mm/0.118inch	2mm/0.079inch



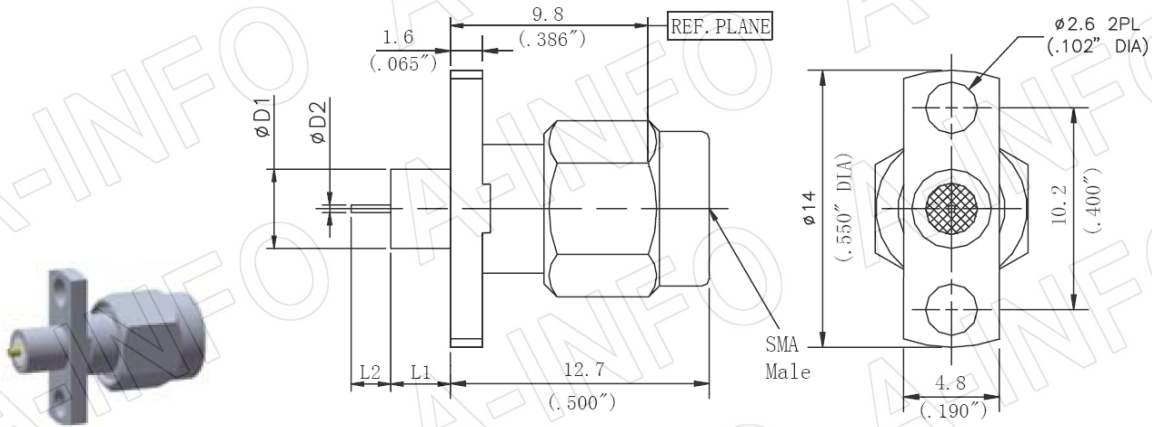
P/N	D1	D2	L1	L2
HPC1429-01	4mm/0.158inch	0.38mm/0.015inch	3mm/0.118inch	2mm/0.079inch



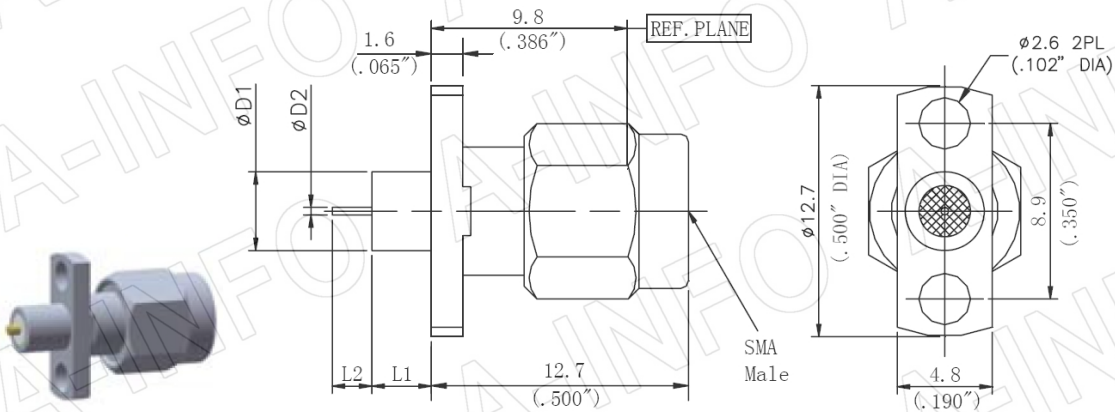
P/N	D1	D2	L1	L2
HPC1430-01	4mm/0.158inch	0.38mm/0.015inch	3mm/0.118inch	2mm/0.079inch



P/N	D1	D2	L1	L2
HPC1431-01	4mm/0.158inch	0.38mm/0.015inch	3mm/0.118inch	2mm/0.079inch

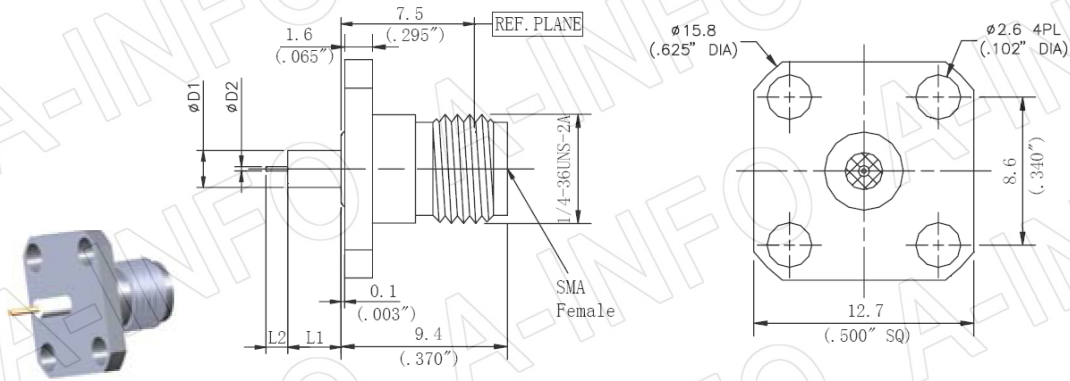


P/N	D1	D2	L1	L2
HPC1432-01	4mm/0.158inch	0.38mm/0.015inch	3mm/0.118inch	2mm/0.079inch

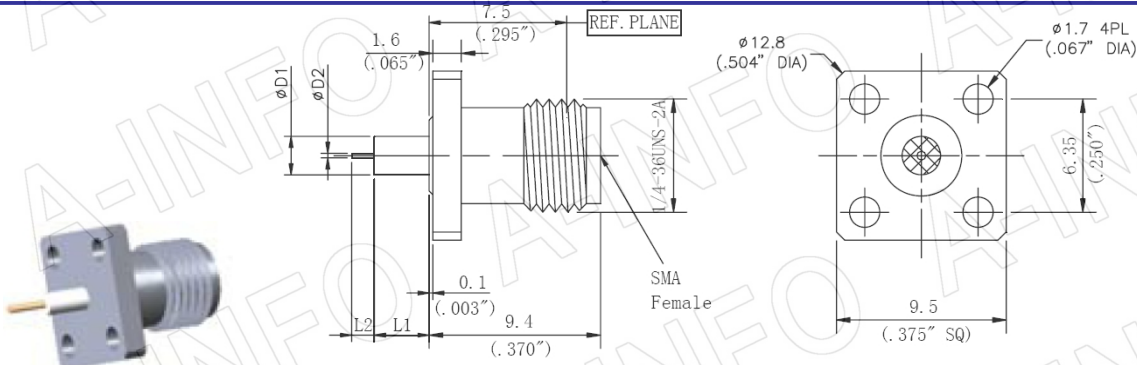


P/N	D1	D2	L1	L2
HPC1433-01	4mm/0.158inch	0.38mm/0.015inch	3mm/0.118inch	2mm/0.079inch

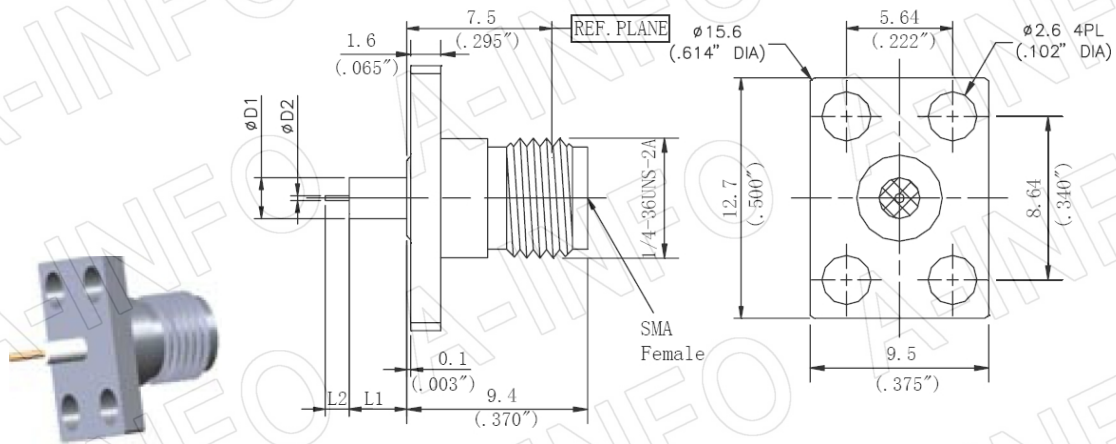
SMA Series Exposed Teflon Connectors



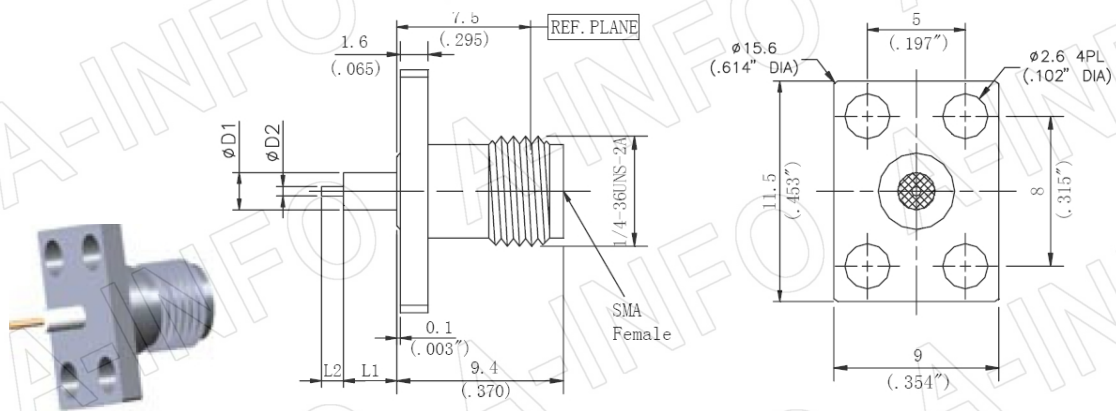
P/N	D1	D2	L1	L2
HPC1434-01	2.2mm/0.087inch	0.3mm/0.012inch	3.2mm/0.126inch	1.27mm/0.05inch
HPC1434-02	3.9mm/0.154inch	0.64mm/0.025inch	15mm/0.59inch	3mm/0.118inch
HPC1434-03	2.1mm/0.083inch	0.64mm/0.025inch	15mm/0.59inch	3mm/0.118inch



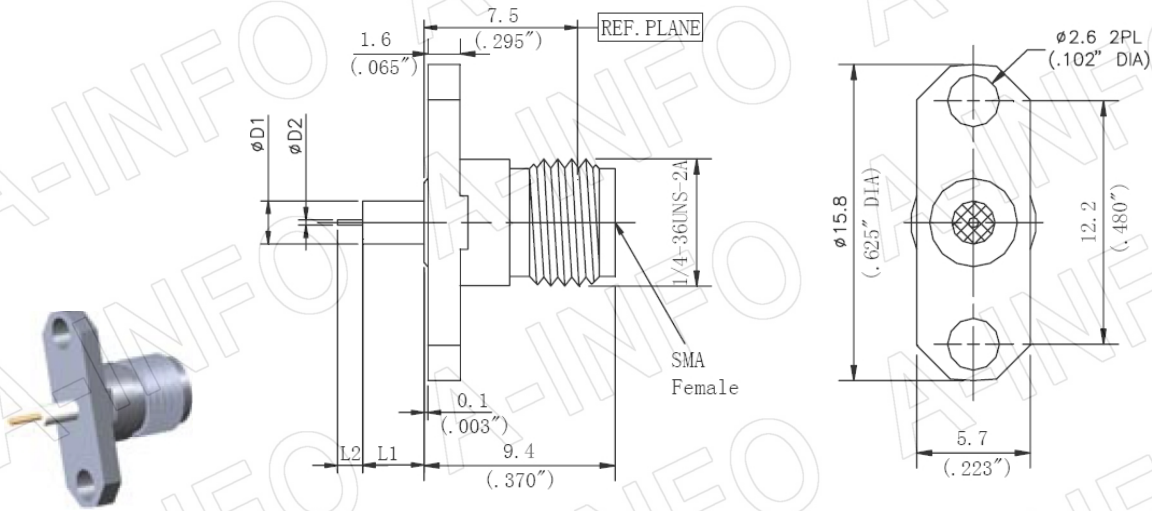
P/N	D1	D2	L1	L2
HPC1435-01	2.2mm/0.087inch	0.3mm/0.012inch	3.2mm/0.126inch	1.27mm/0.05inch
HPC1435-02	2.1mm/0.083inch	0.64mm/0.025inch	15mm/0.59inch	3mm/0.118inch



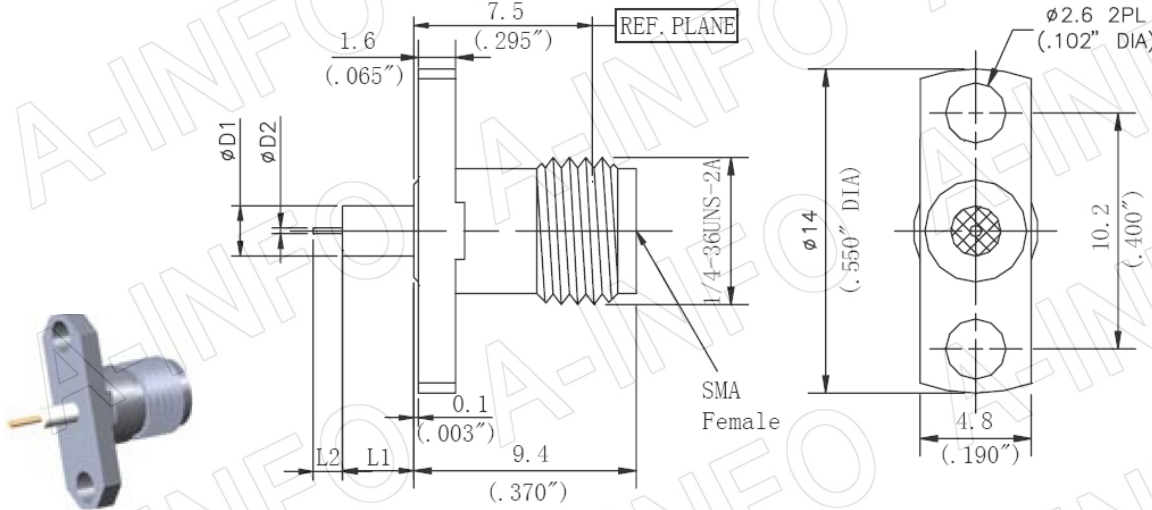
/N	D1	D2	L1	L2
HPC1436-01	2.2mm/0.087inch	0.3mm/0.012inch	3.2mm/0.126inch	1.27mm/0.05inch
HPC1436-02	2.1mm/0.083inch	0.64mm/0.025inch	15mm/0.59inch	3mm/0.118inch



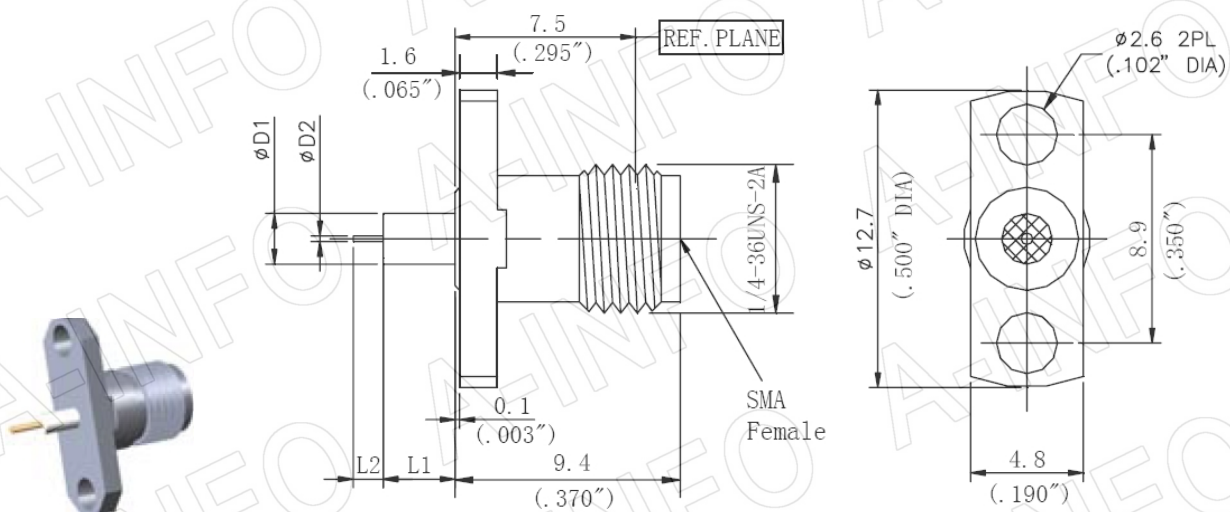
P/N	D1	D2	L1	L2
HPC1437-01	2.2mm/0.087inch	0.3mm/0.012inch	3.2mm/0.126inch	1.27mm/0.05inch
HPC1437-02	2.1mm/0.083inch	0.64mm/0.025inch	15mm/0.59inch	3mm/0.118inch



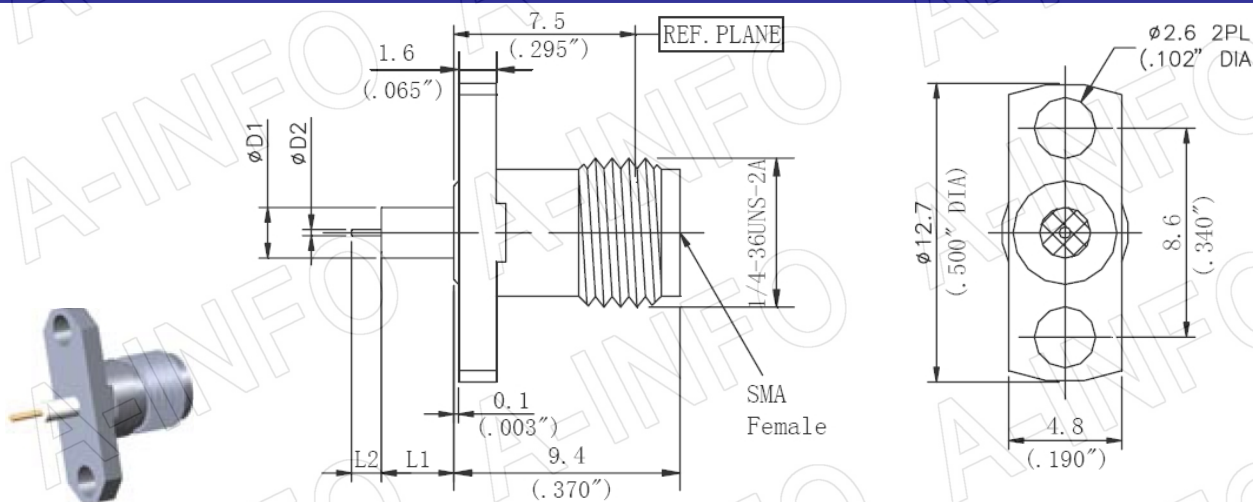
P/N	D1	D2	L1	L2
HPC1438-01	2.2mm/0.087inch	0.3mm/0.012inch	3.2mm/0.126inch	1.27mm/0.05inch
HPC1438-02	3.9mm/0.154inch	0.64mm/0.025inch	15mm/0.59inch	3mm/0.118inch
HPC1438-03	2.1mm/0.083inch	0.64mm/0.025inch	15mm/0.59inch	3mm/0.118inch



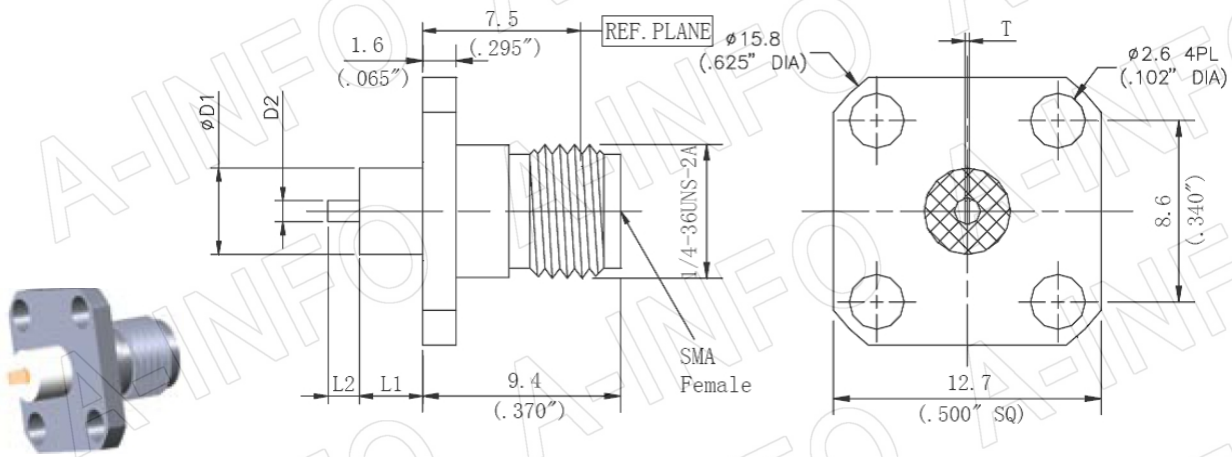
P/N	D1	D2	L1	L2
HPC1439-01	2.2mm/0.087inch	0.3mm/0.012inch	3.2mm/0.126inch	1.27mm/0.05inch
HPC1439-02	2.1mm/0.083inch	0.64mm/0.025inch	15mm/0.59inch	3mm/0.118inch



P/N	D1	D2	L1	L2
HPC1440-01	2.2mm/0.087inch	0.3mm/0.012inch	3.2mm/0.126inch	1.27mm/0.05inch
HPC1440-02	2.1mm/0.083inch	0.64mm/0.025inch	15mm/0.59inch	3mm/0.118inch



P/N	D1	D2	L1	L2
HPC1441-01	2.2mm/0.087inch	0.3mm/0.012inch	3.2mm/0.126inch	1.27mm/0.05inch
HPC1441-02	2.1mm/0.083inch	0.64mm/0.025inch	15mm/0.59inch	3mm/0.118inch



P/N	D1	D2	L1	L2	T
HPC1414-01	4.1mm/0.162inch	1mm/0.04inch	4mm/0.158inch	1.5mm/0.06inch	0.2mm/0.008inch
HPC1416-01	4.1mm/0.162inch	1mm/0.04inch	3mm/0.118inch	1.5mm/0.06inch	0.2mm/0.008inch

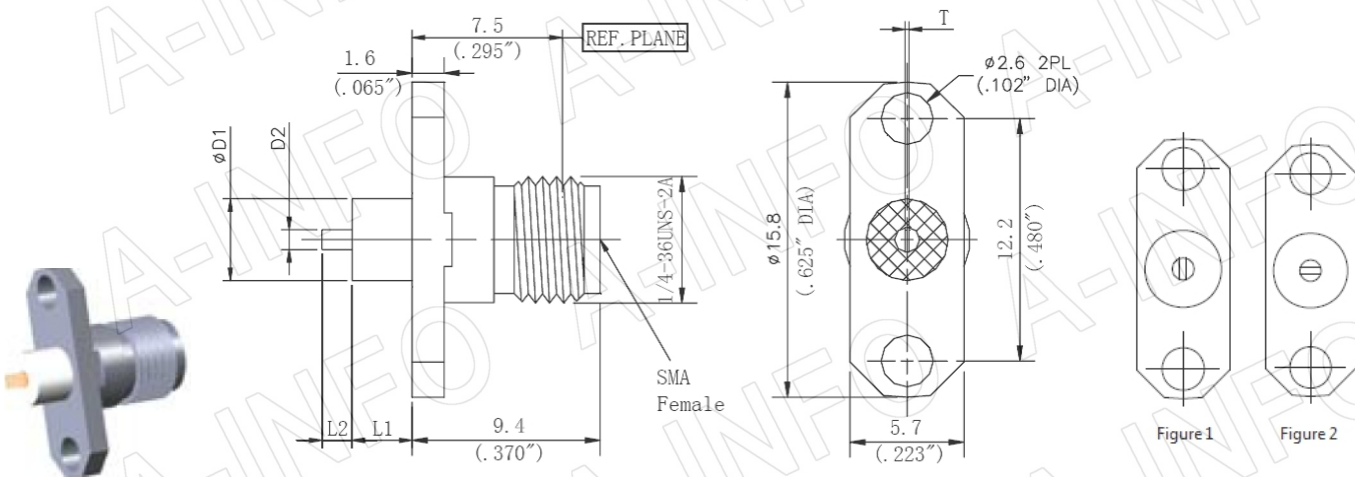
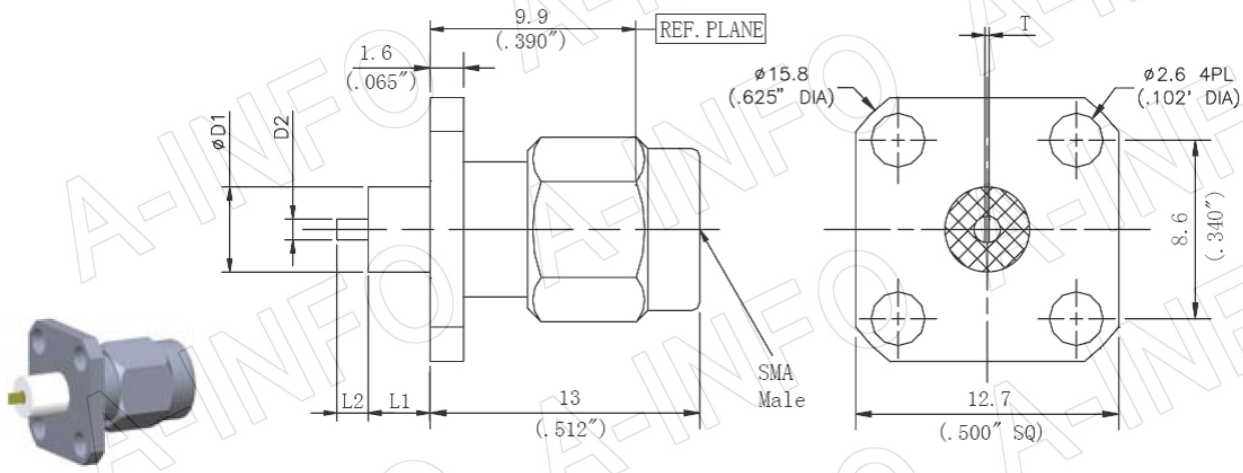
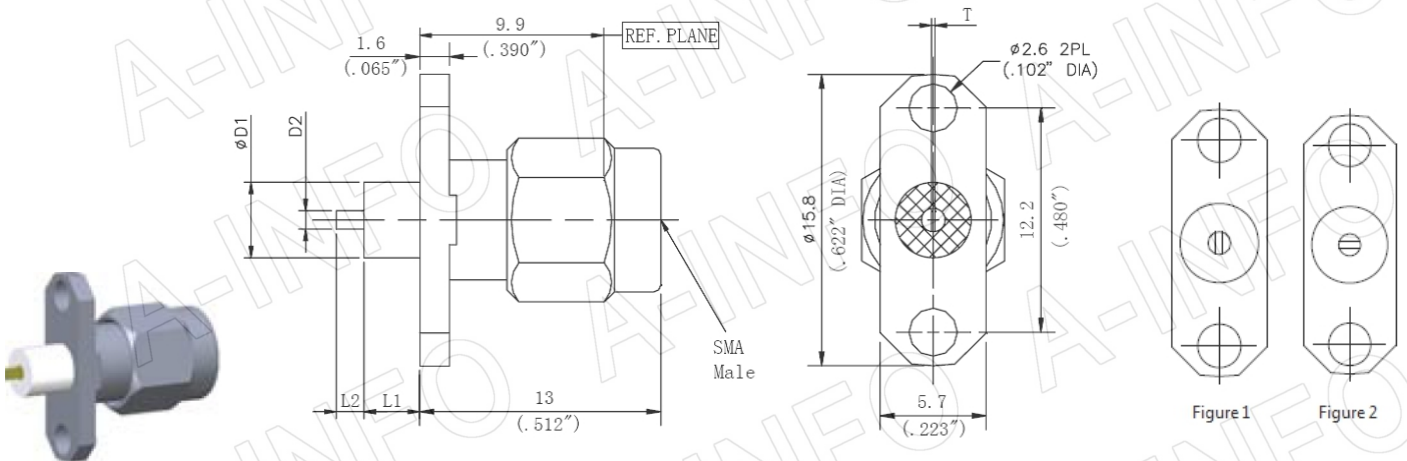


Figure 1 Figure 2

P/N	D1	D2	L1	L2	T	Fig
HPC1415-01	4.1mm/0.162inch	1mm/0.04inch	4mm/0.158inch	1.5mm/0.06inch	0.2mm/0.008inch	1
HPC1442-01	4.1mm/0.162inch	1mm/0.04inch	4mm/0.158inch	1.5mm/0.06inch	0.2mm/0.008inch	2
HPC1417-01	4.1mm/0.162inch	1mm/0.04inch	3mm/0.118inch	1.5mm/0.06inch	0.2mm/0.008inch	1
HPC1442-02	4.1mm/0.162inch	1mm/0.04inch	3mm/0.118inch	1.5mm/0.06inch	0.2mm/0.008inch	2

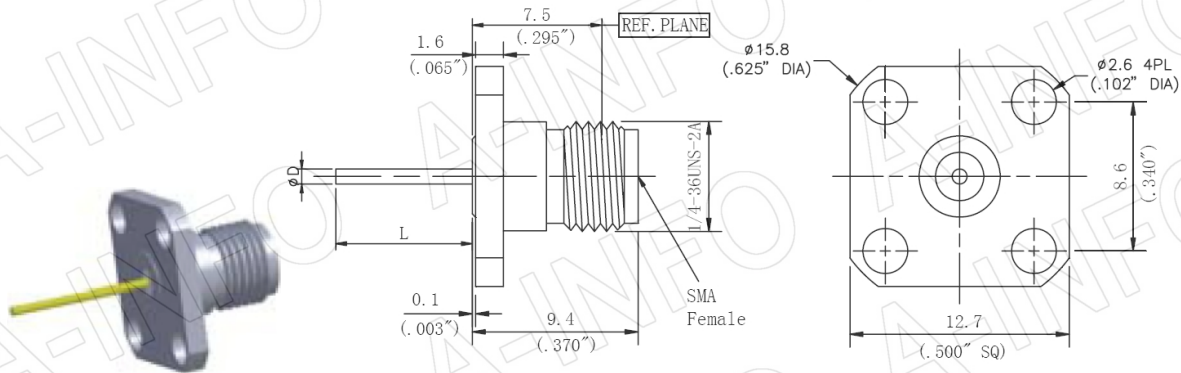


P/N	D1	D2	L1	L2	T
HPC1443-01	4.1mm/0.162inch	1mm/0.04inch	4mm/0.158inch	1.5mm/0.06inch	0.2mm/0.008inch

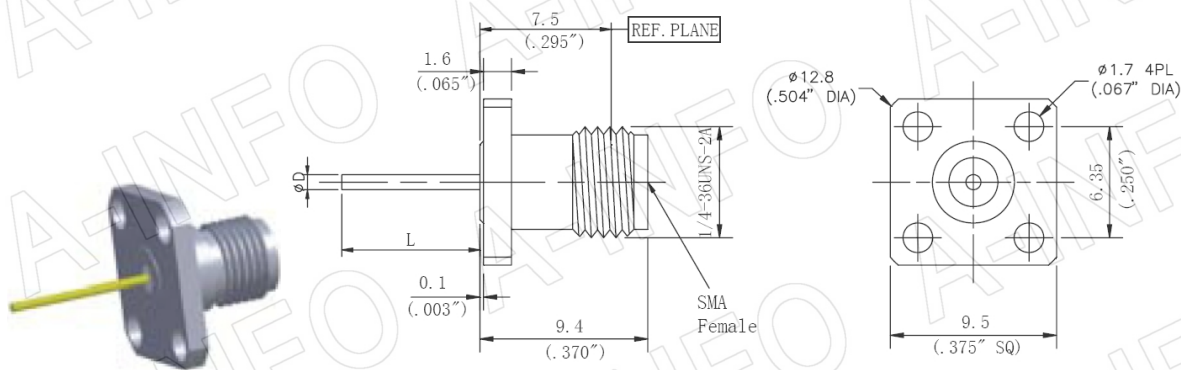


P/N	D1	D2	L1	L2	T	Fig
HPC1444-01	4.1mm/0.162inch	1mm/0.04inch	4mm/0.158inch	1.5mm/0.06inch	0.2mm/0.008inch	1
HPC1444-02	4.1mm/0.162inch	1mm/0.04inch	4mm/0.158inch	1.5mm/0.06inch	0.2mm/0.008inch	2

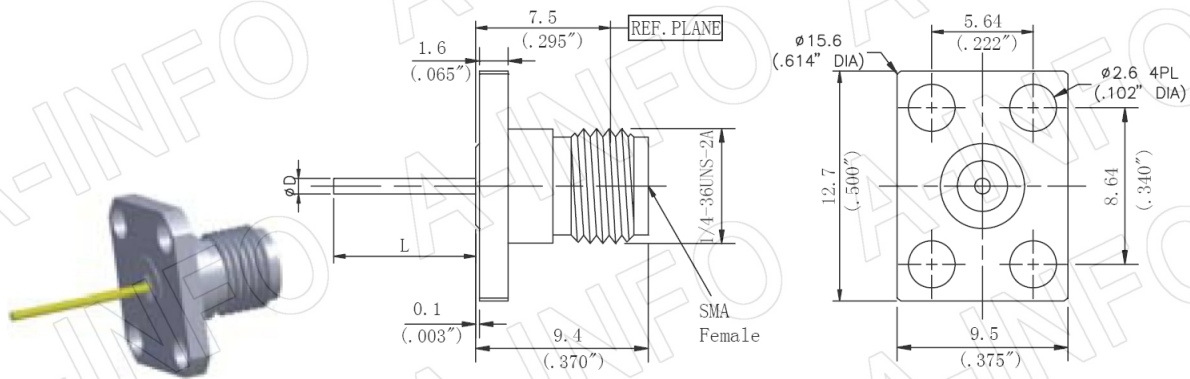
SMA Series Blunt Post Contact Connectors



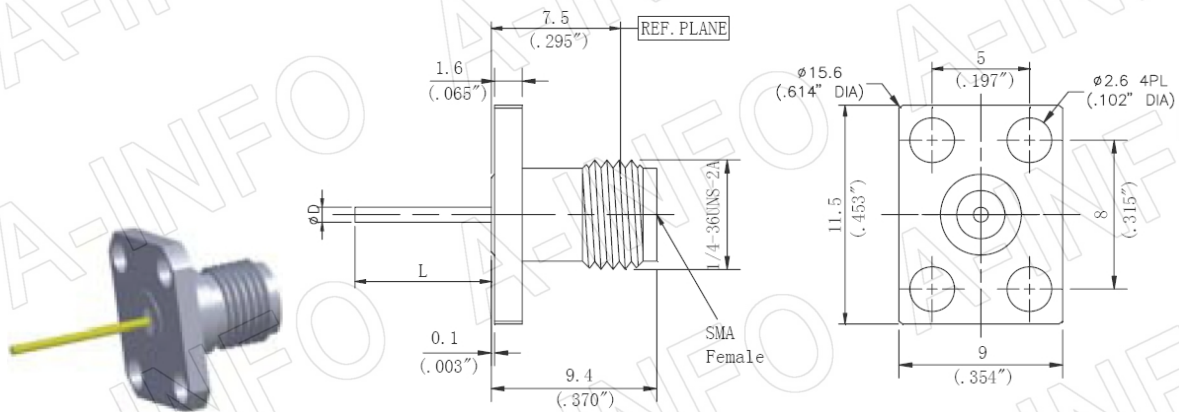
P/N	D	L
HPC1445-01	0.64mm/0.025inch	18mm/0.71inch
HPC1445-02	0.87mm/0.034inch	26mm/1.024inch
HPC1445-03	0.87mm/0.034inch	10.92mm/0.43inch



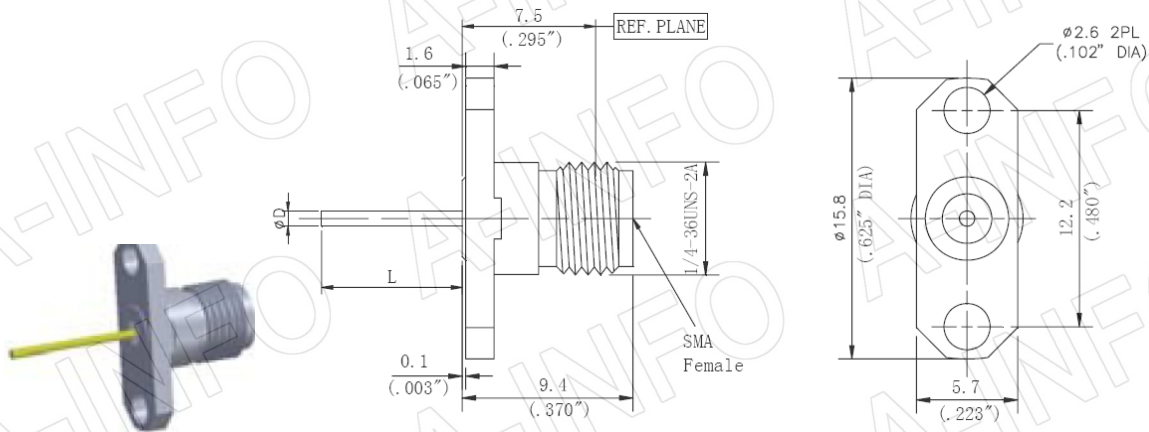
P/N	D	L
HPC1446-01	0.64mm/0.025inch	18mm/0.709inch
HPC1446-02	0.87mm/0.034inch	26mm/1.024inch
HPC1446-03	0.87mm/0.034inch	10.92mm/0.43inch



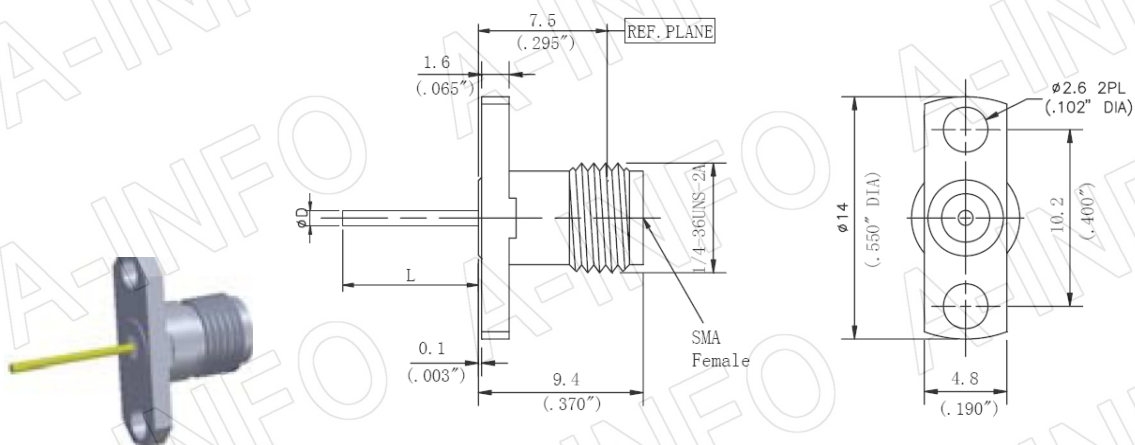
P/N	D	L
HPC1447-01	0.64mm/0.025inch	18mm/0.709inch
HPC1447-02	0.87mm/0.034inch	26mm/1.024inch
HPC1447-03	0.87mm/0.034inch	10.92mm/0.43inch



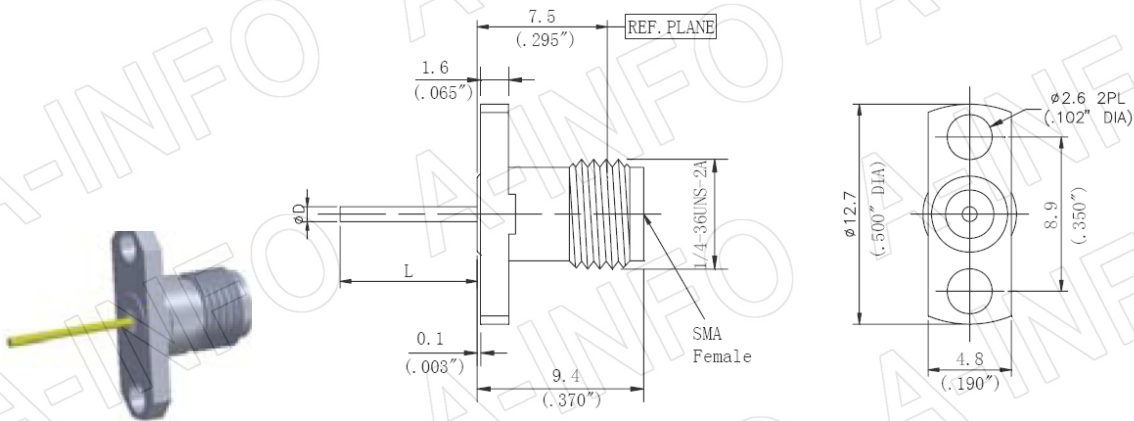
P/N	D	L
HPC1448-01	0.64mm/0.025inch	18mm/0.709inch
HPC1448-02	0.87mm/0.034inch	26mm/1.024inch
HPC1448-03	0.87mm/0.034inch	10.92mm/0.43inch



P/N	D	L
HPC1449-01	0.64mm/0.025inch	18mm/0.709inch
HPC1449-02	0.87mm/0.034inch	26mm/1.024inch
HPC1449-03	0.87mm/0.034inch	10.92mm/0.43inch

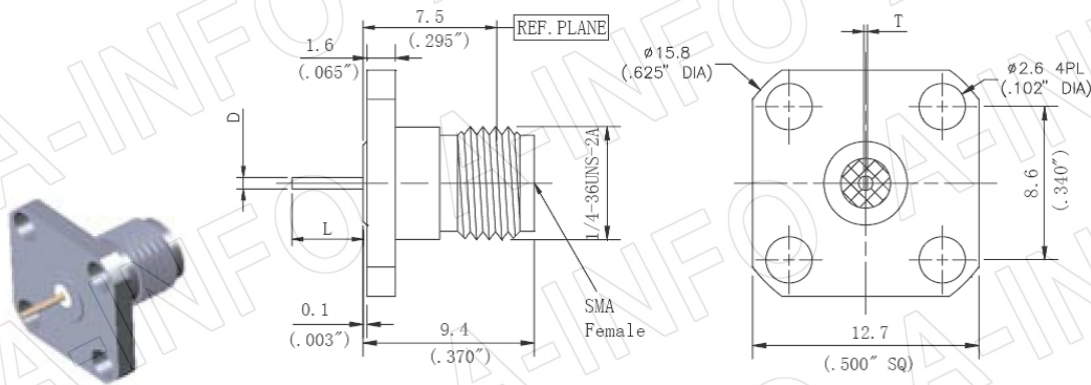


P/N	D	L
HPC1450-01	0.64mm/0.025inch	18mm/0.709inch
HPC1450-02	0.87mm/0.034inch	26mm/1.024inch
HPC1450-03	0.87mm/0.034inch	10.92mm/0.43inch

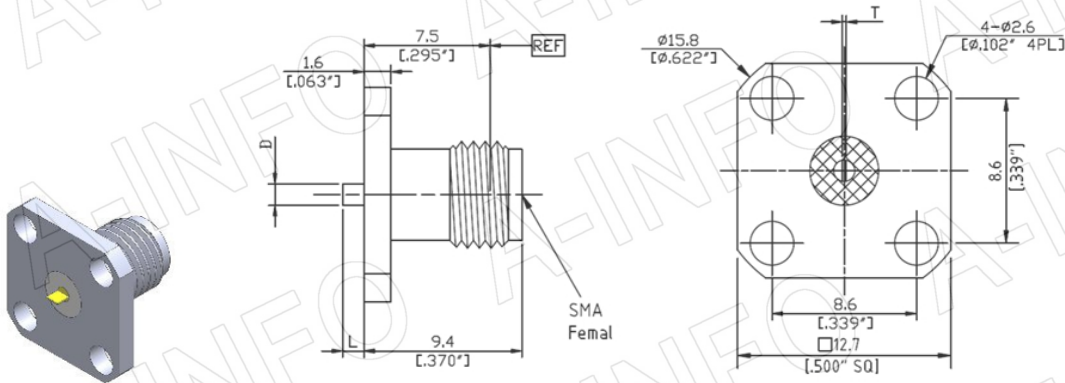


P/N	D	L
HPC1451-01	0.64mm/0.025inch	18mm/0.709inch
HPC1451-02	0.87mm/0.034inch	26mm/1.024inch
HPC1451-03	0.87mm/0.034inch	10.92mm/0.43inch

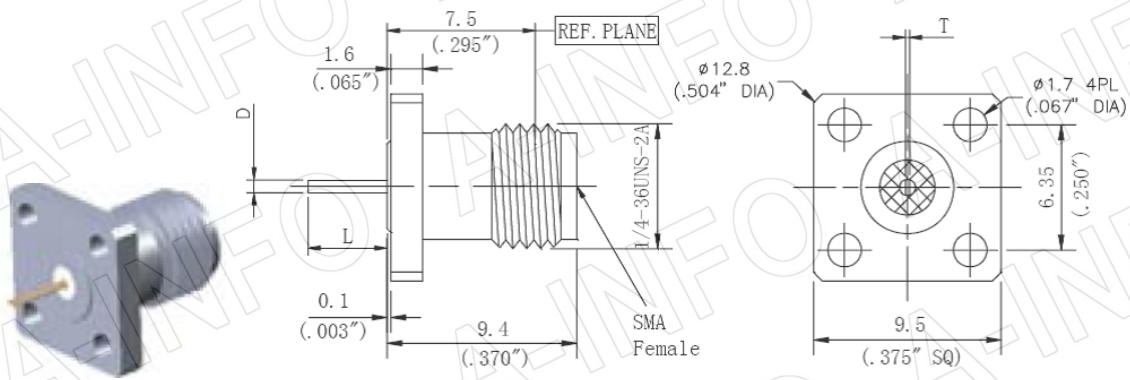
SMA Series Tab Contact Connectors



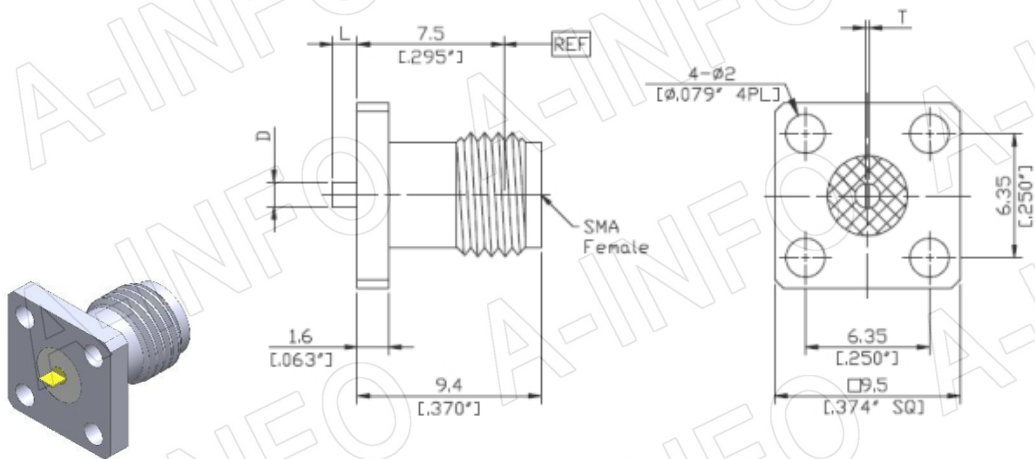
P/N	D	L	T
HPC1710-01	0.65mm/0.026inch	4mm/0.158inch	0.2mm/0.008inch



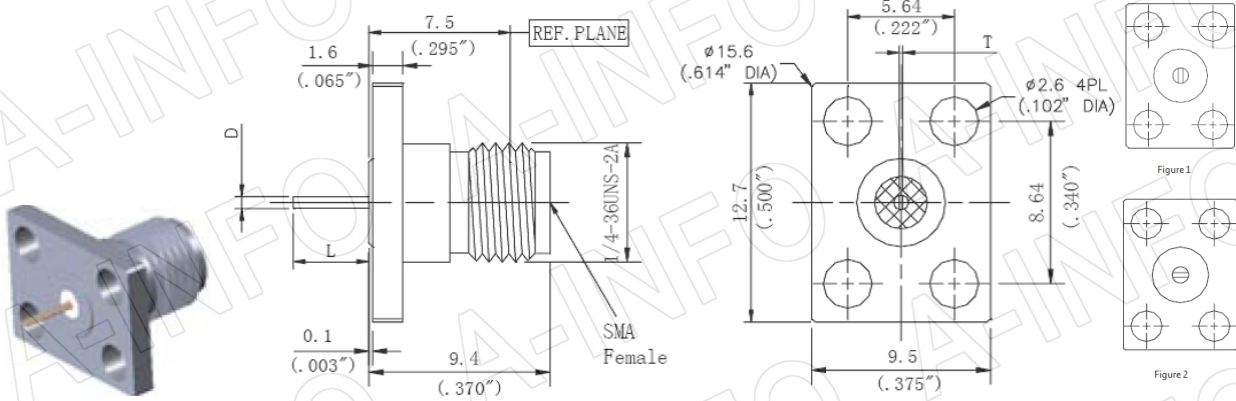
P/N	D	L	T
HPC1710-02	1.27mm/0.05inch	1.27mm/0.05inch	0.15mm/0.006inch



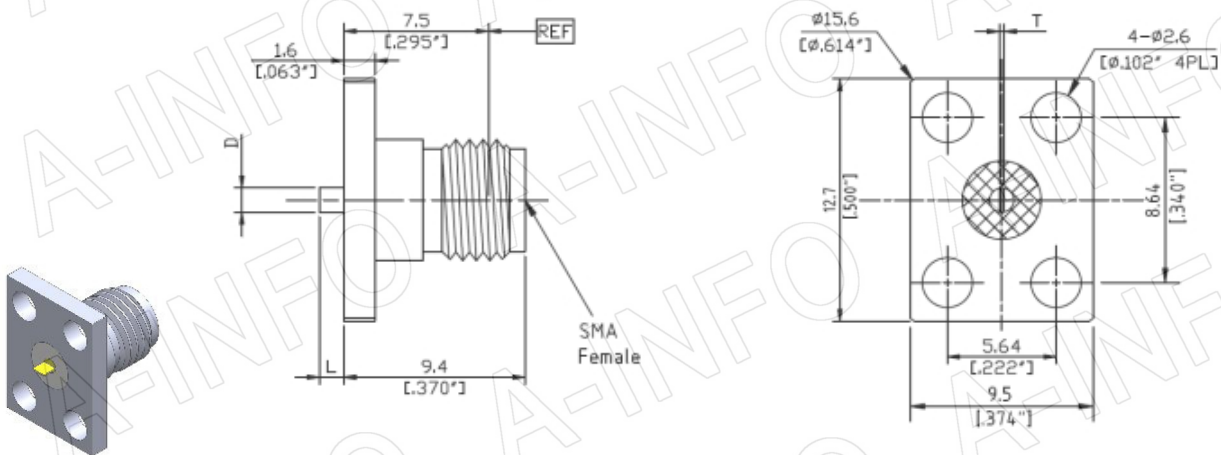
P/N	D	L	T
HPC1711-01	0.65mm/0.026inch	4mm/0.158inch	0.2mm/0.008inch



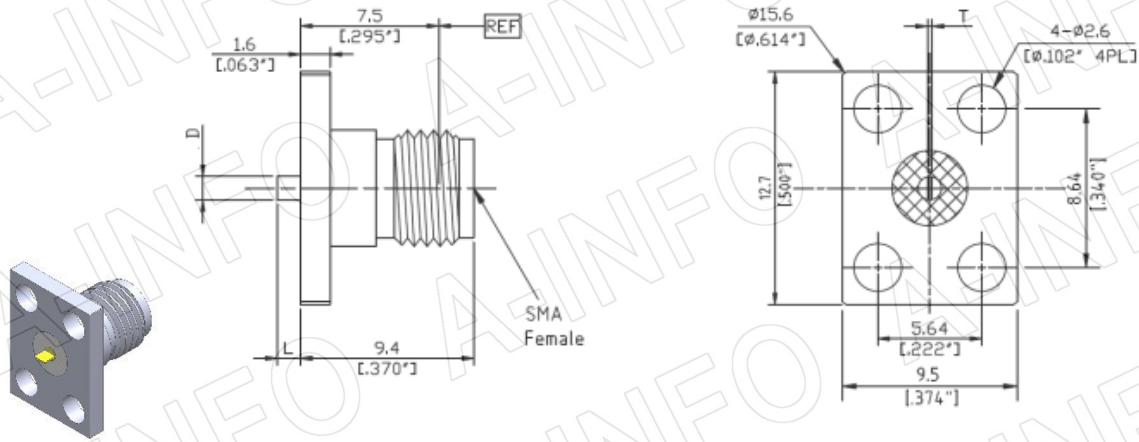
P/N	D	L	T
HPC1711-02	1.27mm/0.05inch	1.27mm/0.05inch	0.15mm/0.006inch



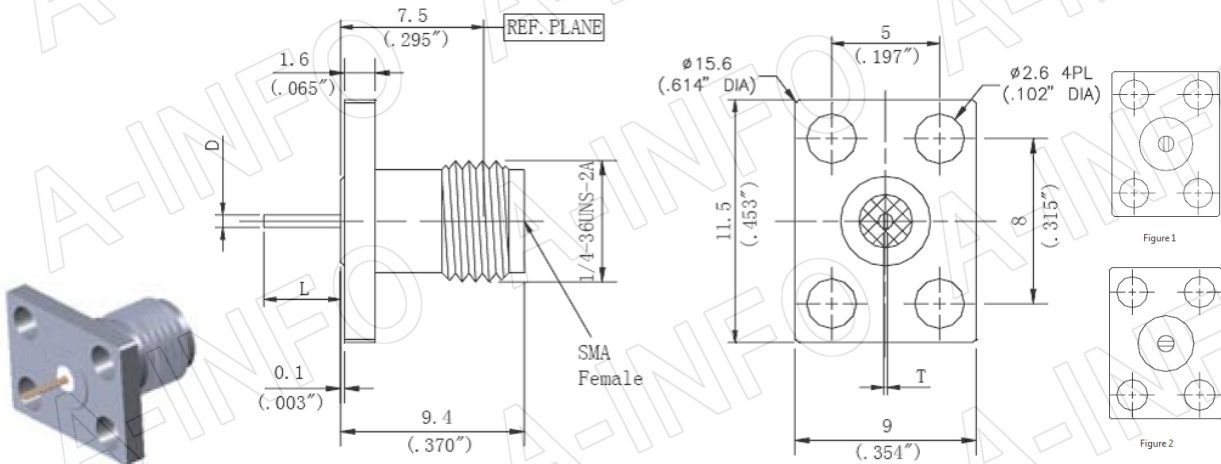
P/N	D	L	T	Figure
HPC1712-01	0.65mm/0.026inch	4mm/0.158inch	0.2mm/0.008inch	1
HPC1712-02	0.65mm/0.026inch	4mm/0.158inch	0.2mm/0.008inch	2



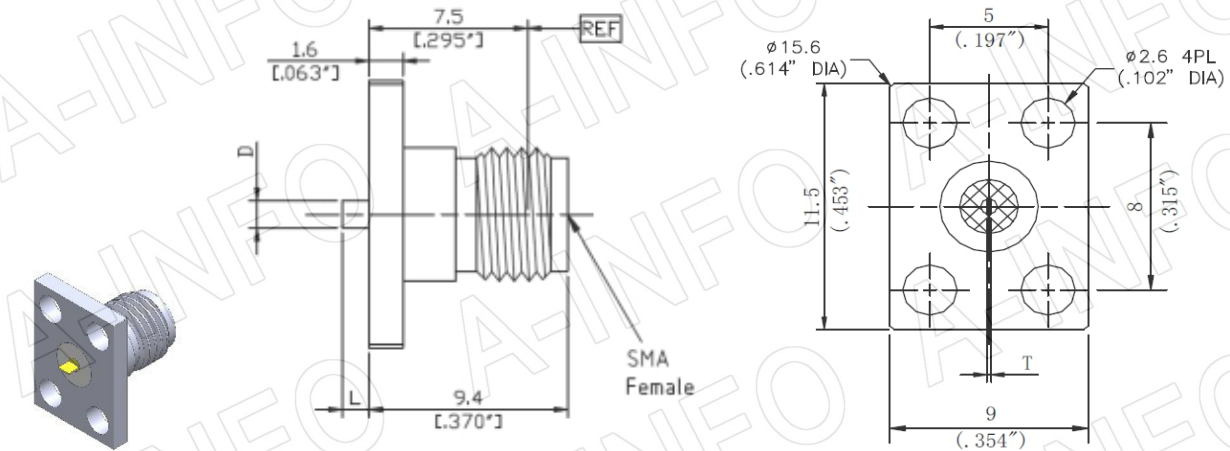
P/N	D	L	T	Figure
HPC1712-03	1.27mm/0.05inch	1.27mm/0.05inch	0.15mm/0.006inch	1



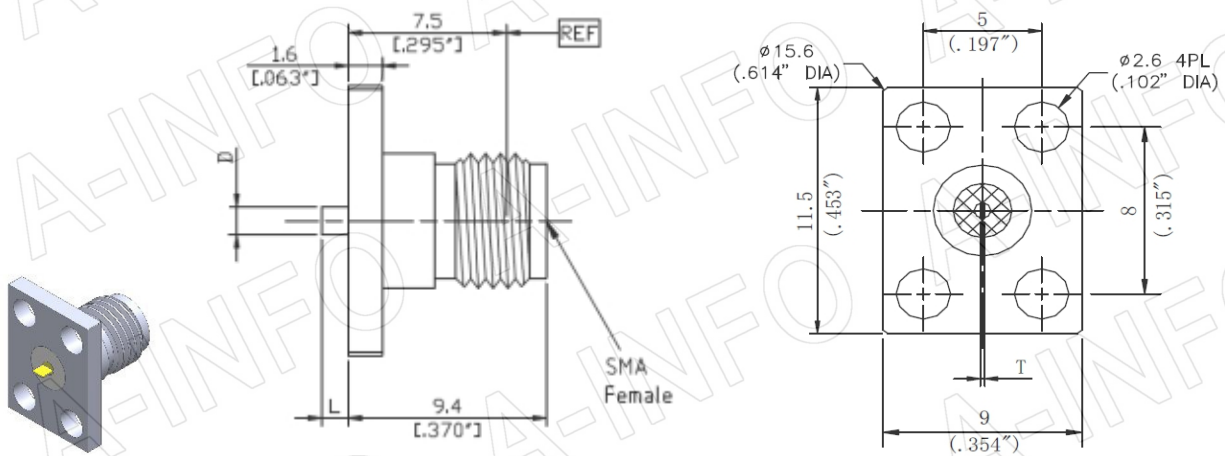
P/N	D	L	T	Figure
HPC1712-04	1.27mm/0.05inch	1.27mm/0.05inch	0.15mm/0.006inch	2



P/N	D	L	T	Figure
HPC1713-01	0.65mm/0.026inch	4mm/0.158inch	0.2mm/0.008inch	1
HPC1713-02	0.65mm/0.026inch	4mm/0.158inch	0.2mm/0.008inch	2

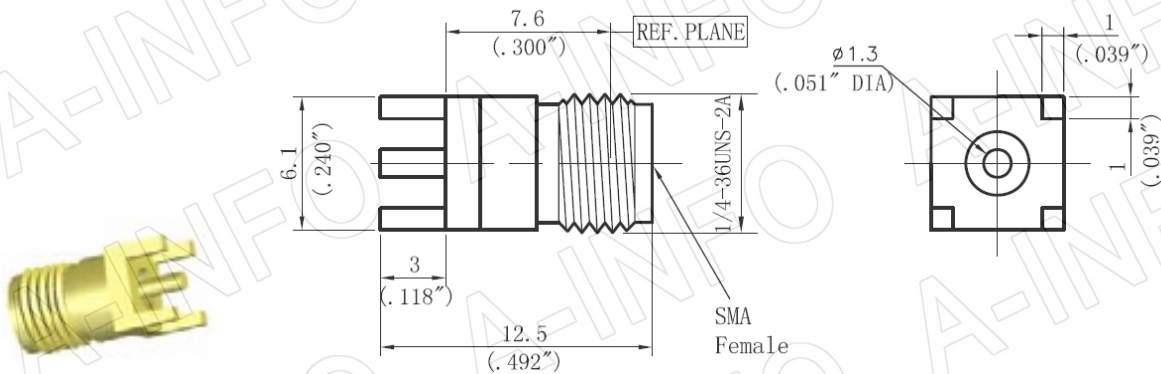


P/N	D	L	T	Figure
HPC1713-03	1.27mm/0.05inch	1.27mm/0.05inch	0.15mm/0.006inch	1

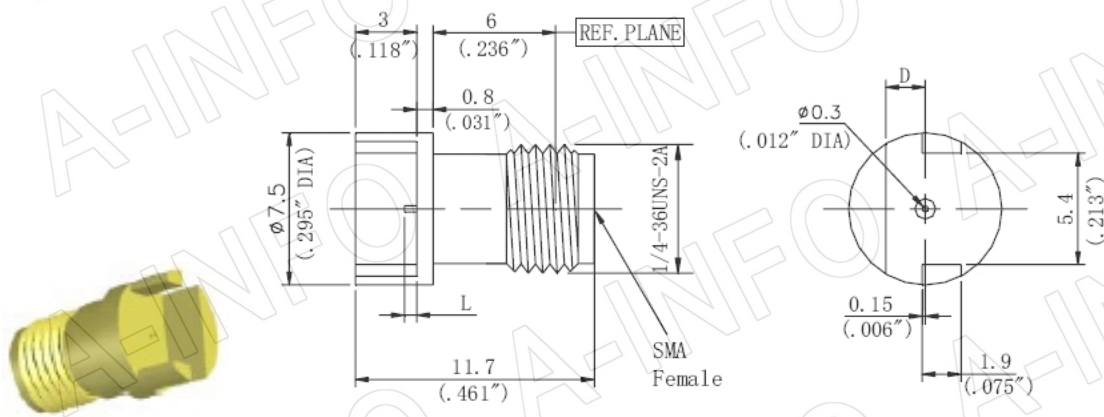


P/N	D	L	T	Figure
HPC1713-04	1.27mm/0.05inch	1.27mm/0.05inch	0.15mm/0.006inch	2

SMA Series PCB Connectors

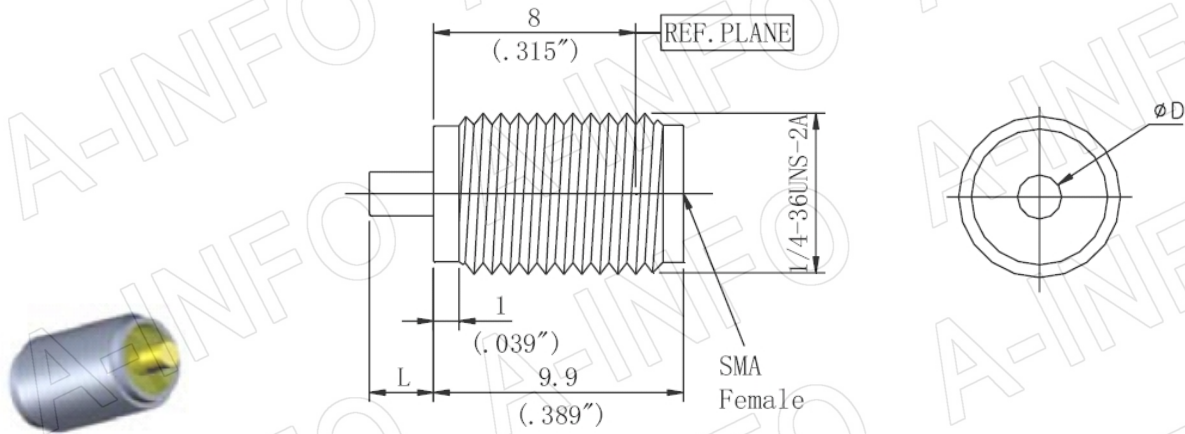


P/N
HPC1512-01



P/N	D	L	PCB Thickness
HPC1513-01	1.93mm/0.076"	0.6mm/0.023"	1.78mm/0.070"
HPC1513-02	0.76mm/0.030"	0.6mm/0.023"	0.61mm/0.024"
HPC1513-03	1.02mm/0.040"	0.6mm/0.023"	0.87mm/0.034"
HPC1514-01	1.93mm/0.076"	1.22mm/0.048"	1.78mm/0.070"
HPC1514-02	0.76mm/0.030"	1.22mm/0.048"	0.61mm/0.024"
HPC1514-03	1.02mm/0.040"	1.22mm/0.048"	0.87mm/0.034"

SMA Stripline Receptacles Connectors



P/N	D	L
HPC1610-01	1.75mm/0.069inch	2.54mm/0.100inch
HPC1610-02	1.75mm/0.069inch	4.7mm/0.185inch

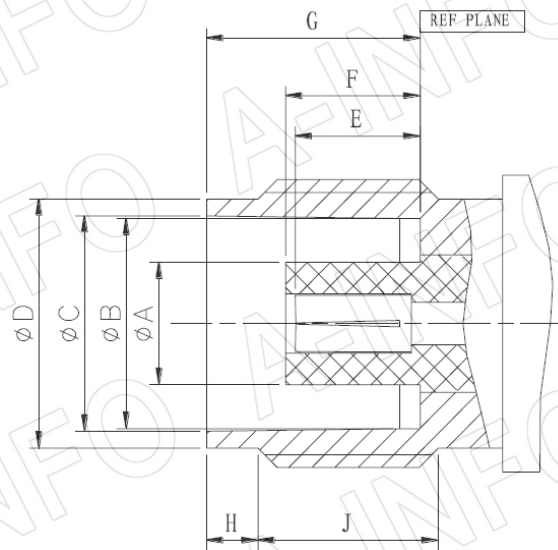
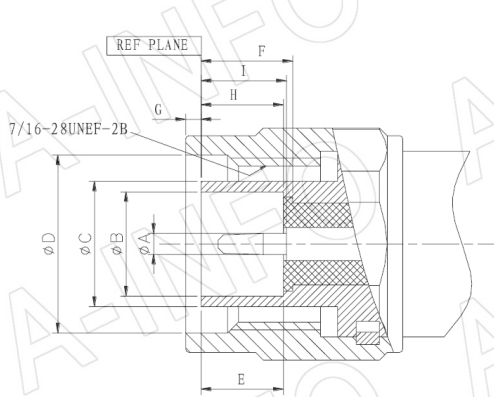
TNCA Connector Series

Performance Features

Nominal Impedance	50ohm
Frequency Range	DC-18GHz
VSWR: DC-18GHz...	1.15:1 max
Durability	500cycles
Operating Temperature	-55°C ~ +165°C

Materials/Finishes

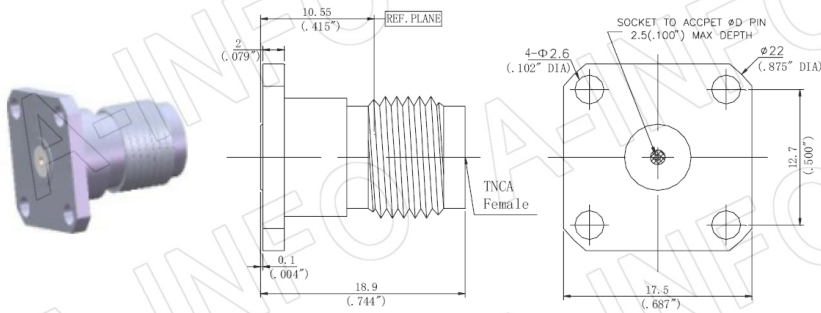
Housing: Type 303 Stainless Steel-Polished&Passivated
Center Contact: Beryllium Copper Plated Gold (MIL-G-45204)
Insulators: PEI or PEI&PTFE
Interfaces: PER MIL-STD-348A



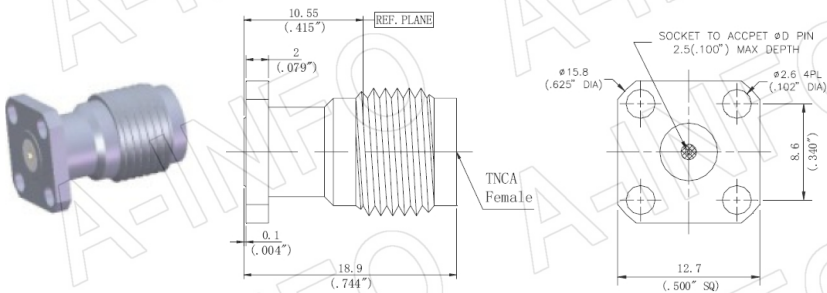
TNCA Male				
LTR	mm		Inch	
	Min	Max	Min	Max
A	1.32	1.37	0.052	0.054
B	6.05	6.15	0.238	0.242
C	7.98	8.05	0.314	0.318
D	11.18		0.44	
E	5.28		0.208	
F	5.38		0.212	
G	5.28		0.208	
H	5.28		0.208	

TNCA Female				
LTR	mm		Inch	
	Min	Max	Min	Max
A	4.62	4.72	0.182	0.186
B	8.10	8.15	0.319	0.321
C	8.31	8.46	0.327	0.333
D	9.6	9.68	0.378	0.381
E	5.03	5.28	0.198	0.208
F	5.03	5.28	0.198	0.208
G	8.31	8.51	0.327	0.335
H	1.73	2.24	0.068	0.088
J	4.75	-	0.187	-

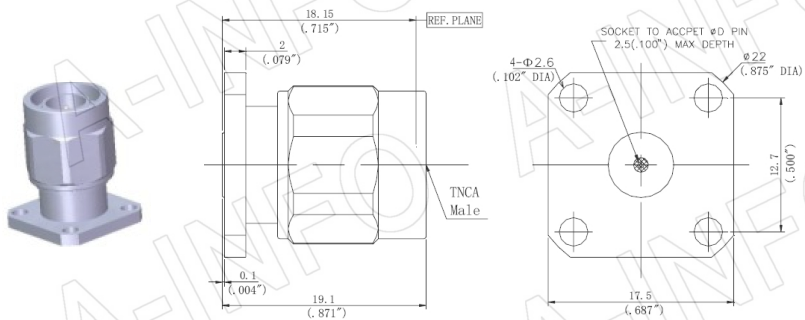
TNCA Series Field Replaceable Flange Connectors



P/N	D
HPC2110-18	0.018inch/0.46mm
HPC2110-20	0.020inch/0.51mm
HPC2110-36	0.036inch/0.91mm

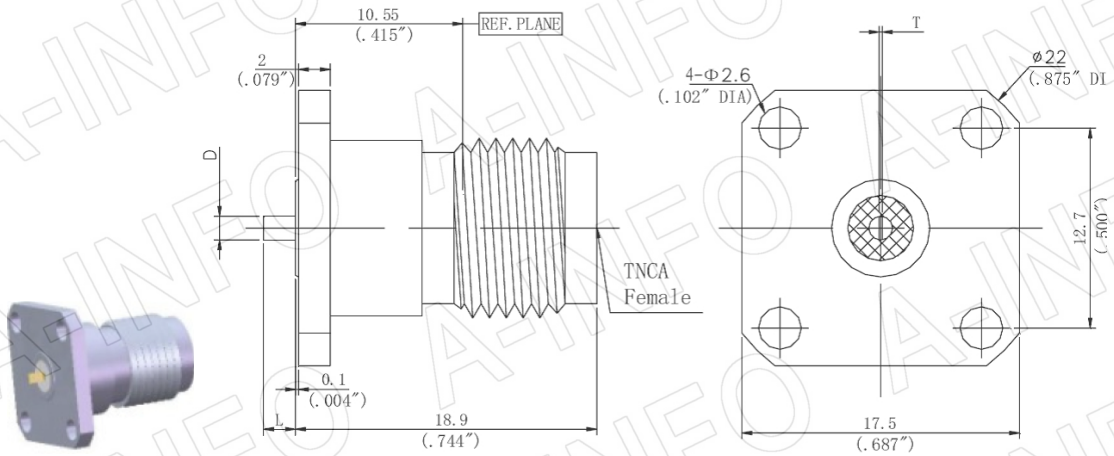


P/N	D
HPC2111-18	0.018inch/0.46mm
HPC2111-20	0.020inch/0.51mm
HPC2111-36	0.036inch/0.91mm

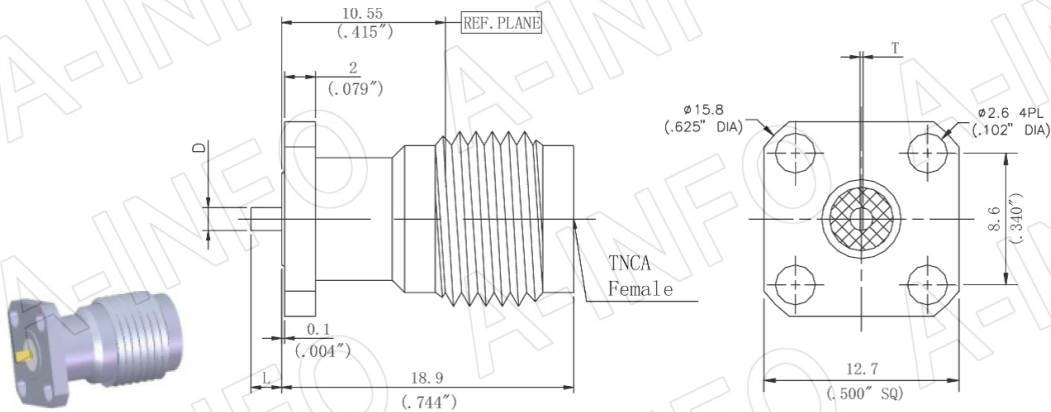


P/N	D
HPC2112-18	0.018inch/0.46mm
HPC2112-20	0.020inch/0.51mm
HPC2112-36	0.036inch/0.91mm

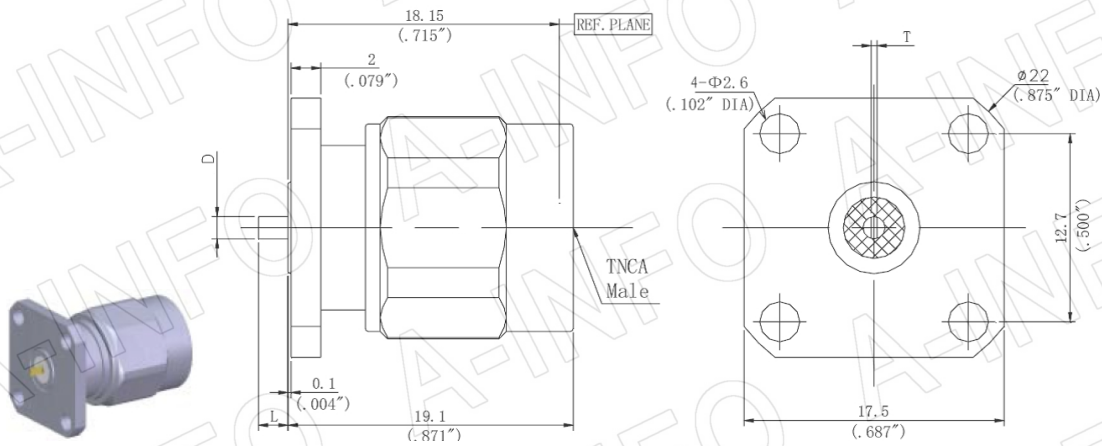
TNCA Series Tab Contact Connectors



P/N	D	L	T
HPC2210-01	1.5mm/0.059inch	2mm/0.079inch	0.2mm/0.008inch



P/N	D	L	T
HPC2210-02	1.5mm/0.059inch	2mm/0.079inch	0.2mm/0.008inch



P/N	D	L	T
HPC2210-03	1.5mm/0.059inch	2mm/0.079inch	0.2mm/0.008inch

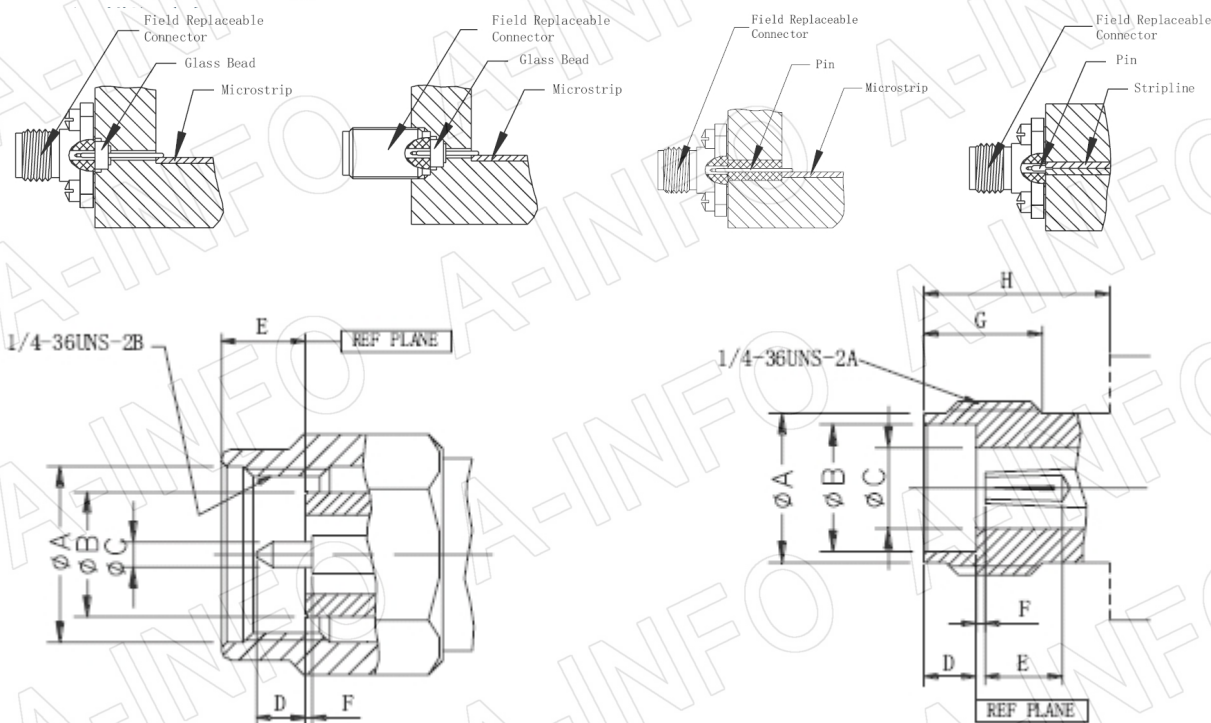
2.92mm Connector Series

Performance Features

Nominal Impedance	50ohm
Frequency Range	DC-40GHz
VSWR:DC-40GHz...	1.15:1 max
Durability	500cycles
Operating Temperature	-55°C ~ +165°C

Materials/Finishes

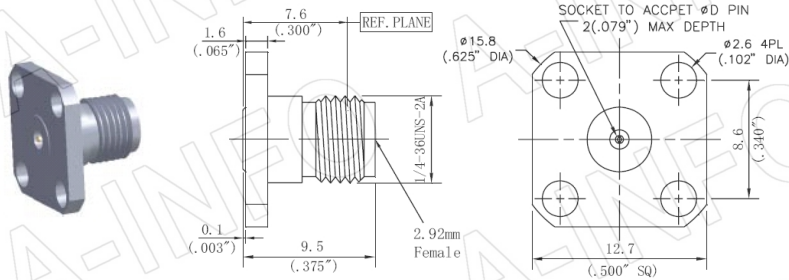
Housing: Type 303 Stainless Steel-Polished&Passivated
Center Contact: Beryllium Copper Plated Gold (MIL-G-45204)
Insulators: PEI or PEI&PTFE
Interfaces: PER MIL-STD-348A



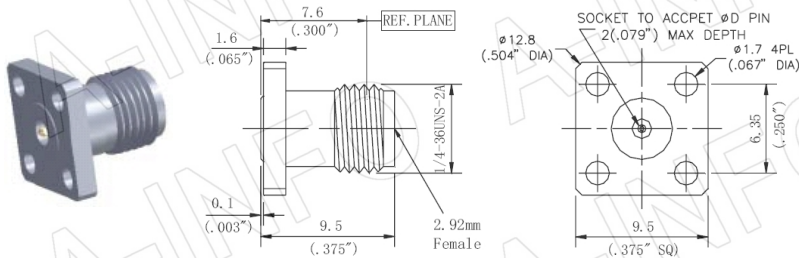
2.92mm Male				
	mm		Inch	
	Min	Max	Min	Max
A	6.48	-	0.255	-
B	4.52	4.57	0.178	0.180
C	0.90	0.94	0.0355	0.0370
D	1.40	1.65	0.055	0.065
E	-	3.43	-	0.135
F	0.00	0.13	0.000	0.005

2.92mm Female				
	mm		Inch	
	Min	Max	Min	Max
A	5.23	5.44	0.206	0.214
B	4.60	4.65	0.181	0.183
C	2.90	2.95	0.114	0.116
D	1.88	1.98	0.074	0.078
E	2.67	-	0.105	-
F	0.00	0.13	0.000	0.005
G	4.32	-	0.170	-
H	5.54	-	0.218	-

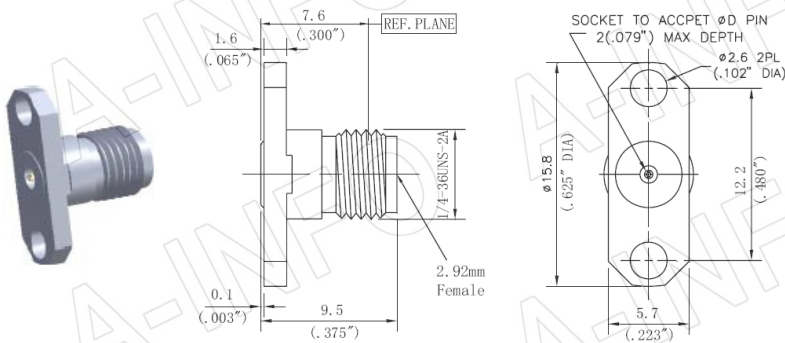
2.92mm Series Field Replaceable Flange Connectors



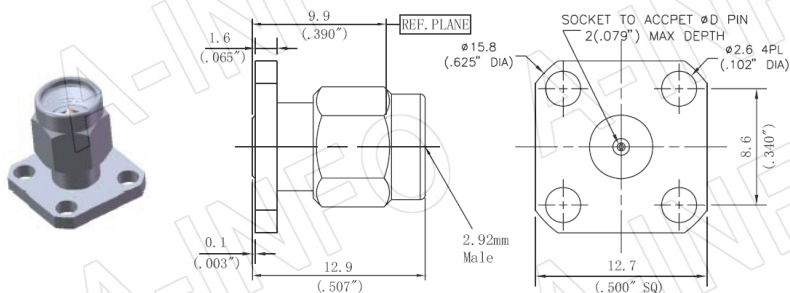
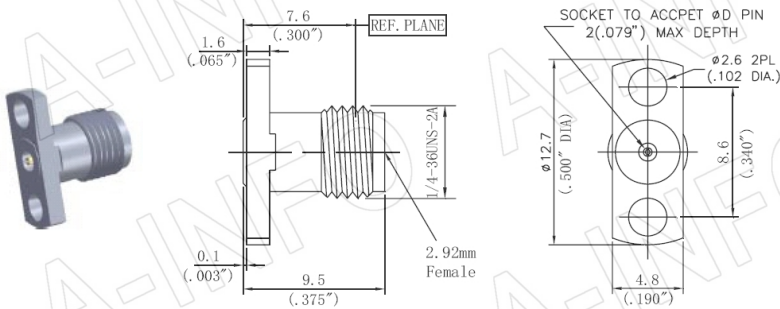
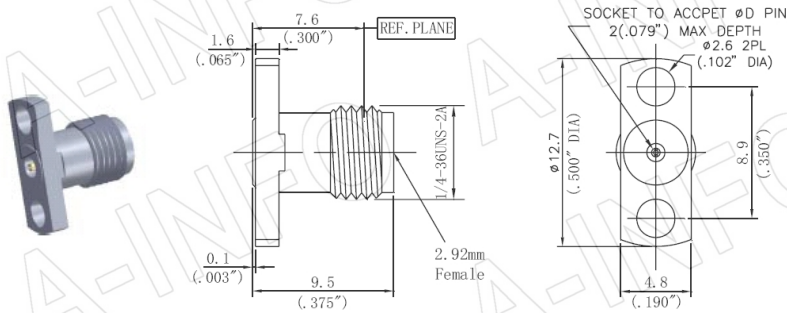
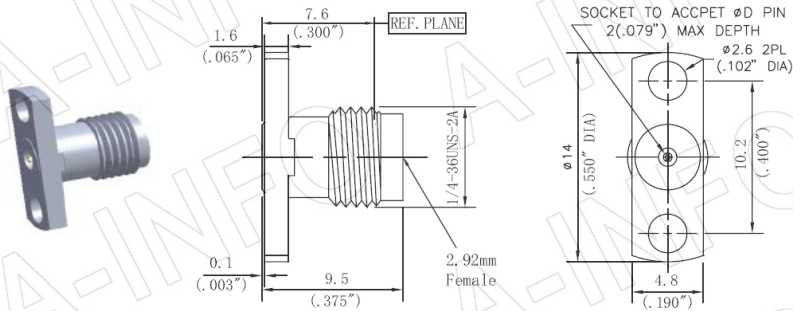
P/N	D
HPC3110-09	0.009inch/0.23mm
HPC3110-12	0.012inch/0.30mm
HPC3110-15	0.015inch/0.38mm
HPC3110-20	0.020inch/0.51mm

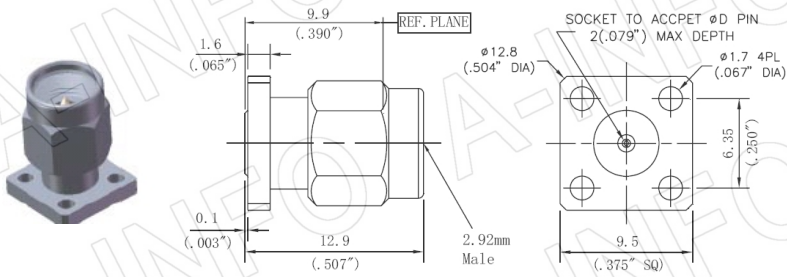


P/N	D
HPC3111-09	0.009inch/0.23mm
HPC3111-12	0.012inch/0.30mm
HPC3111-15	0.015inch/0.38mm
HPC3111-20	0.020inch/0.51mm

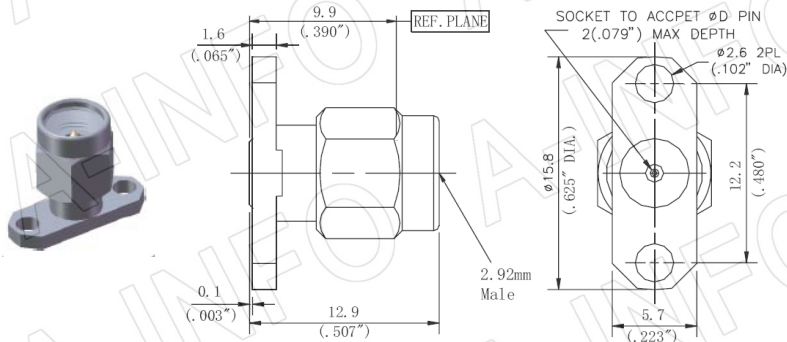


P/N	D
HPC3113-09	0.009inch/0.23mm
HPC3113-12	0.012inch/0.30mm
HPC3113-15	0.015inch/0.38mm
HPC3113-20	0.020inch/0.51mm

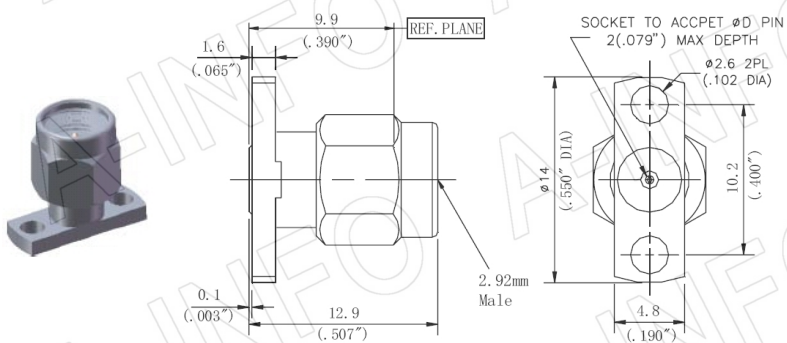




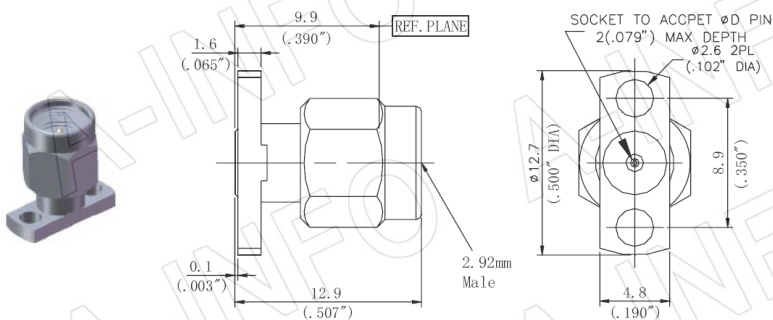
P/N	D
HPC3118-09	0.009inch/0.23mm
HPC3118-12	0.012inch/0.30mm
HPC3118-15	0.015inch/0.38mm
HPC3118-20	0.020inch/0.51mm



P/N	D
HPC3120-09	0.009inch/0.23mm
HPC3120-12	0.012inch/0.30mm
HPC3120-15	0.015inch/0.38mm
HPC3120-20	0.020inch/0.51mm

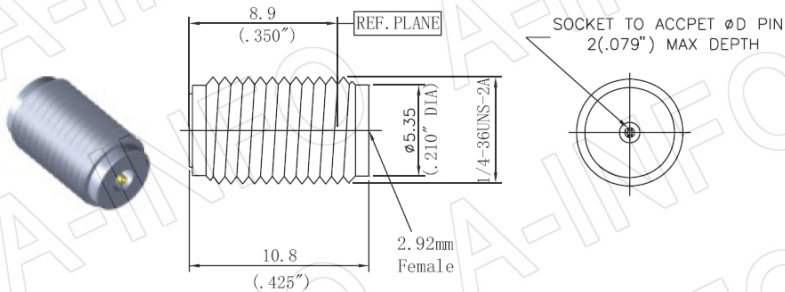


P/N	D
HPC3121-09	0.009inch/0.23mm
HPC3121-12	0.012inch/0.30mm
HPC3121-15	0.015inch/0.38mm
HPC3121-20	0.020inch/0.51mm



P/N	D
HPC3122-09	0.009inch/0.23mm
HPC3122-12	0.012inch/0.30mm
HPC3122-15	0.015inch/0.38mm
HPC3122-20	0.020inch/0.51mm

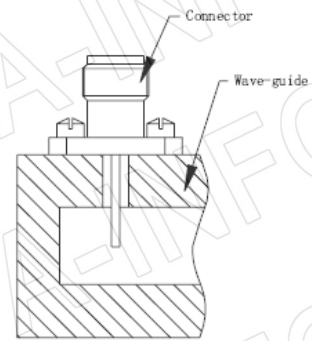
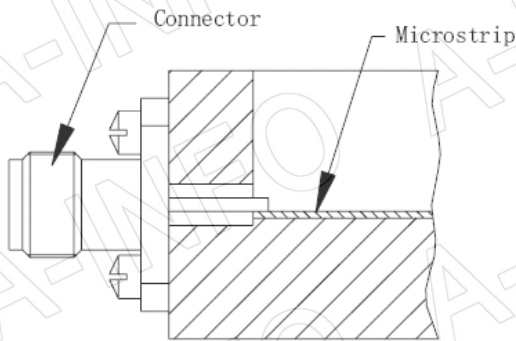
2.92mm Series Field Replaceable Thread-in Connector



P/N	D
HPC3211-09	0.009inch/0.23mm
HPC3211-12	0.012inch/0.30mm
HPC3211-15	0.015inch/0.38mm
HPC3211-20	0.020inch/0.51mm

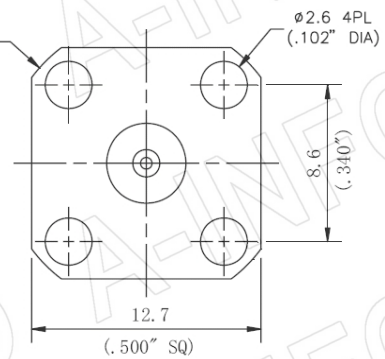
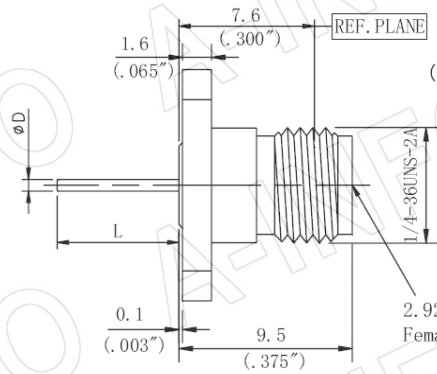
2.92mm Series Bunt Post Contact Connectors

Application

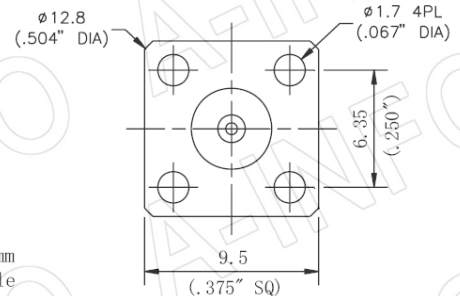
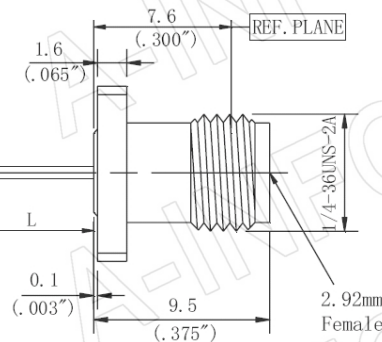
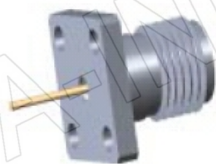


Type 1. Microstrip

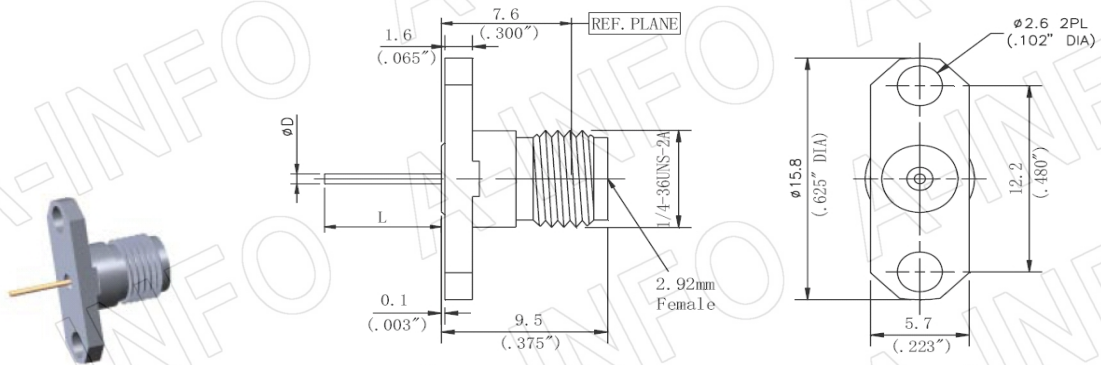
Type 2. Waveguide



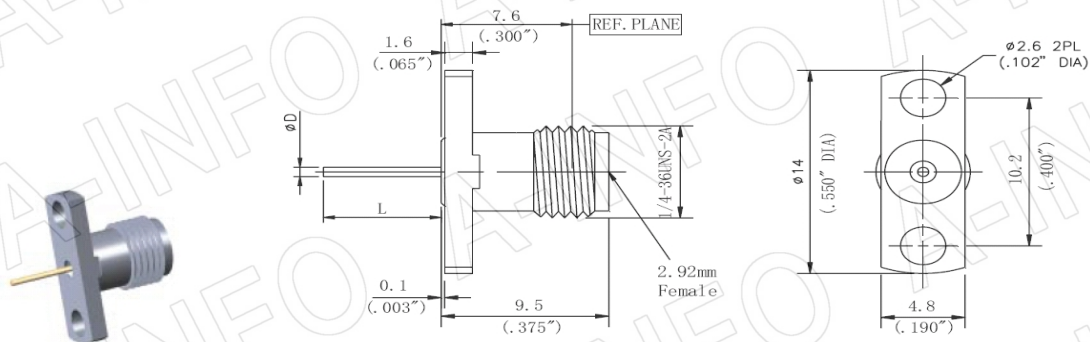
P/N	D	L
HPC3312-11	0.64mm/0.025inch	10.92mm/0.43inch
HPC3312-12	0.64mm/0.025inch	6.84mm/0.269inch
HPC3312-13	0.30mm/0.012inch	7mm/0.276inch



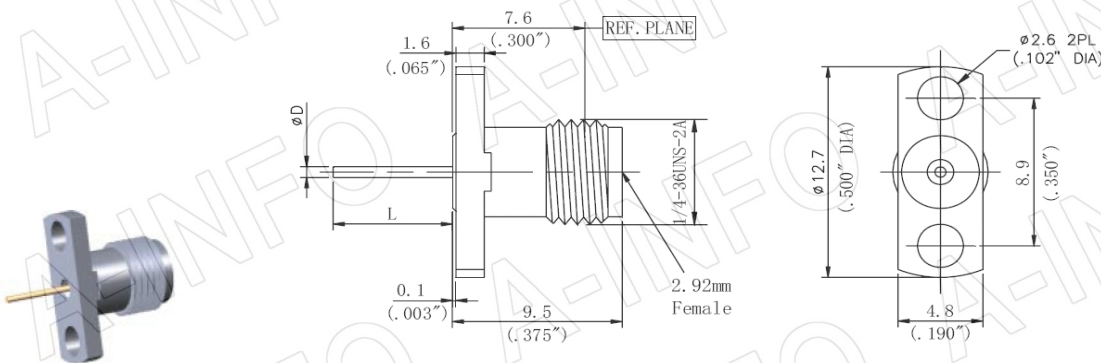
P/N	D	L
HPC3312-21	0.64mm/0.025inch	10.92mm/0.43inch
HPC3312-22	0.64mm/0.025inch	6.84mm/0.269inch
HPC3312-23	0.30mm/0.012inch	7mm/0.276inch



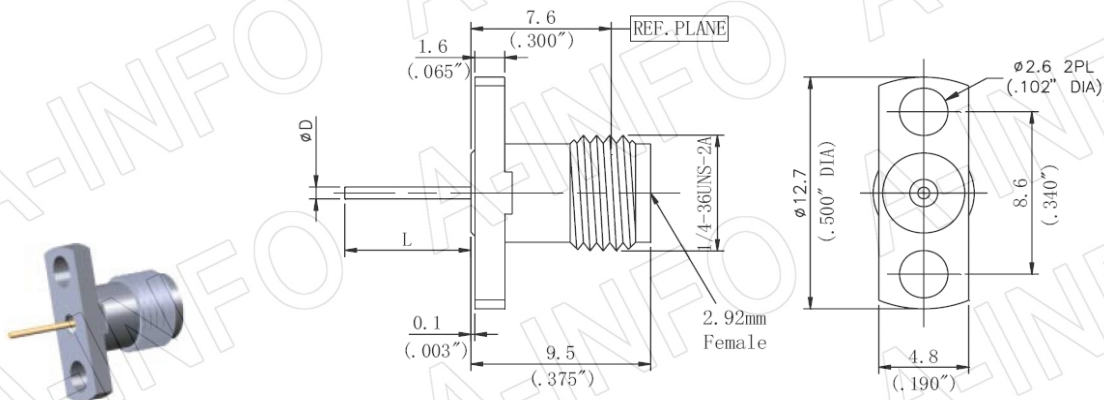
P/N	D	L
HPC3313-11	0.64mm/0.025inch	10.92mm/0.43inch
HPC3313-12	0.64mm/0.025inch	6.84mm/0.269inch
HPC3313-13	0.30mm/0.012inch	7mm/0.276inch



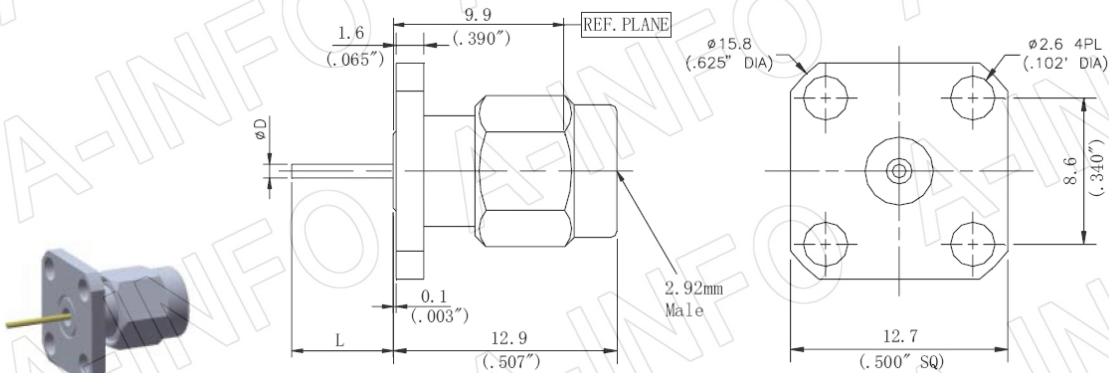
P/N	D	L
HPC3313-21	0.64mm/0.025inch	10.92mm/0.43inch
HPC3313-22	0.64mm/0.025inch	6.84mm/0.269inch
HPC3313-23	0.30mm/0.012inch	7mm/0.276inch



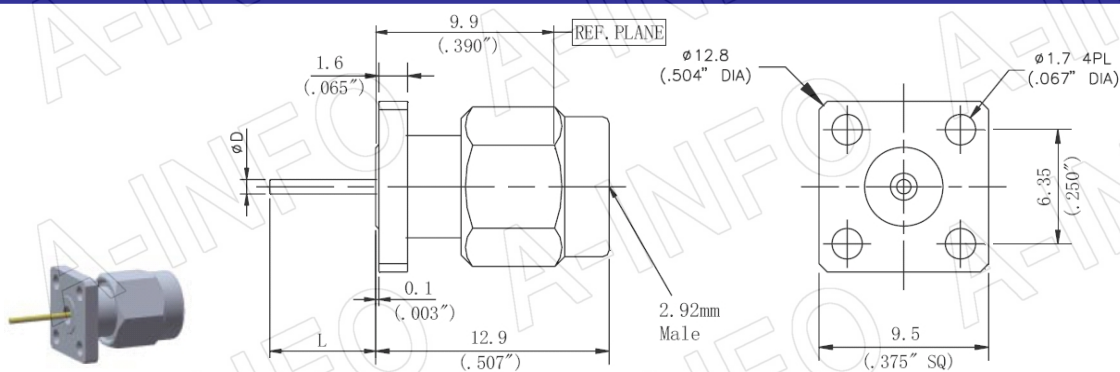
P/N	D	L
HPC3313-31	0.64mm/0.025inch	10.92mm/0.43inch
HPC3313-32	0.64mm/0.025inch	6.84mm/0.269inch
HPC3313-33	0.30mm/0.012inch	7mm/0.276inch



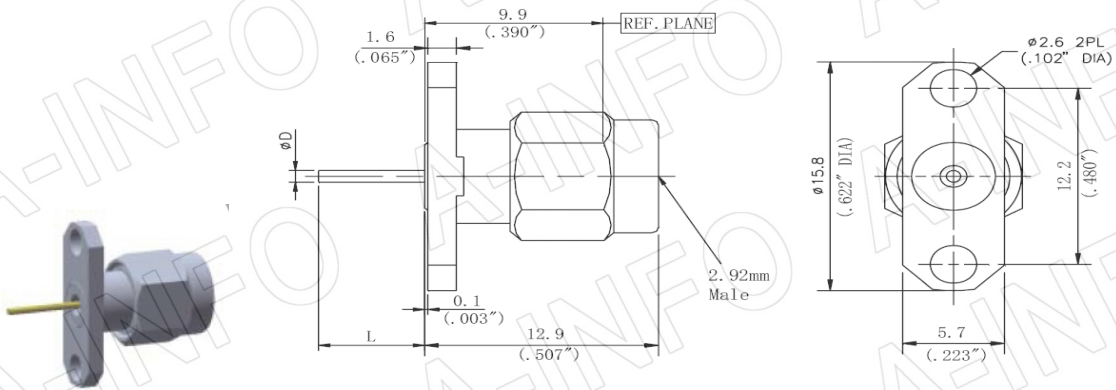
P/N	D	L
HPC3313-41	0.64mm/0.025inch	10.92mm/0.43inch
HPC3313-42	0.64mm/0.025inch	6.84mm/0.269inch
HPC3313-43	0.30mm/0.012inch	7mm/0.276inch



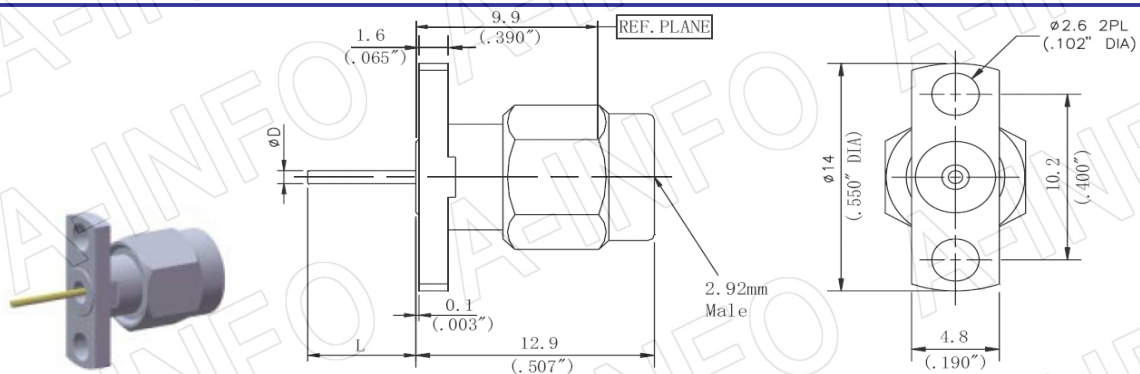
P/N	D	L
HPC3310-01	0.64mm/0.025inch	10.92mm/0.43inch
HPC3310-02	0.64mm/0.025inch	6.84mm/0.269inch



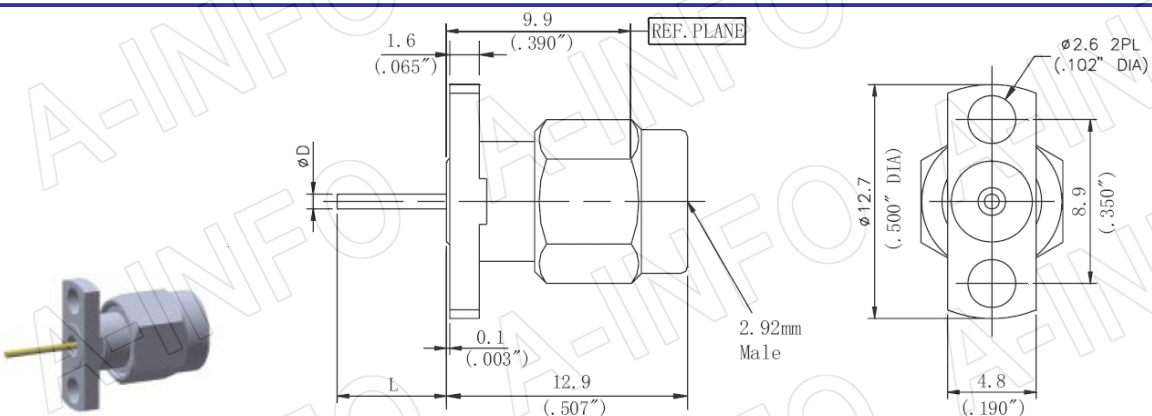
P/N	D	L
HPC3310-21	0.64mm/0.025inch	10.92mm/0.43inch
HPC3310-22	0.64mm/0.025inch	6.84mm/0.269inch



P/N	D	L
HPC3311-11	0.64mm/0.025inch	10.92mm/0.43inch
HPC3311-12	0.64mm/0.025inch	6.84mm/0.269inch

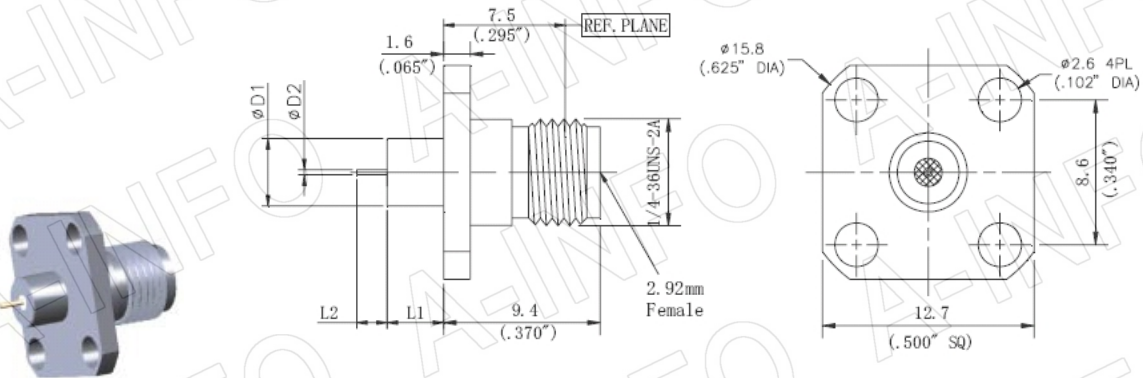


P/N	D	L
HPC3311-21	0.64mm/0.025inch	10.92mm/0.43inch
HPC3311-22	0.64mm/0.025inch	6.84mm/0.269inch

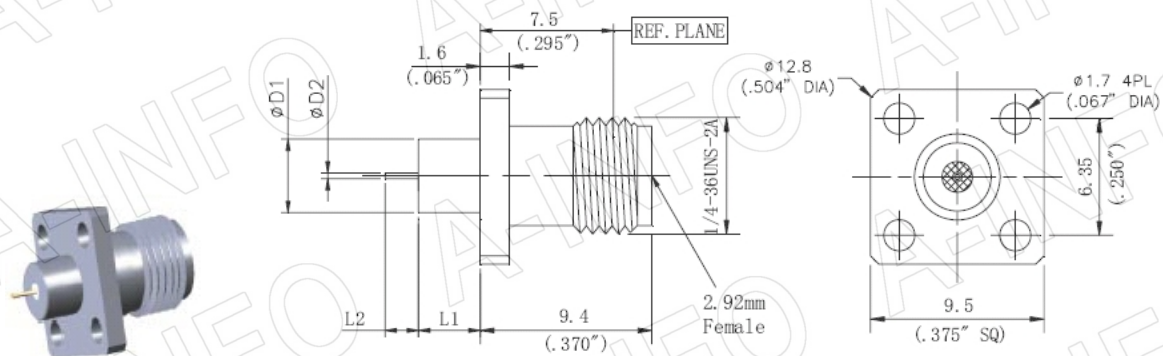


P/N	D	L
HPC3311-31	0.64mm/0.025inch	10.92mm/0.43inch
HPC3311-32	0.64mm/0.025inch	6.84mm/0.269inch

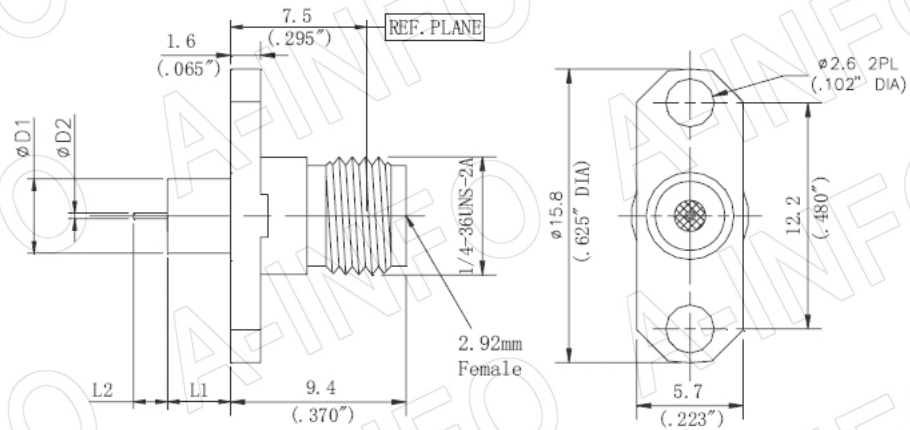
2.92mm Series Round Contact Connectors



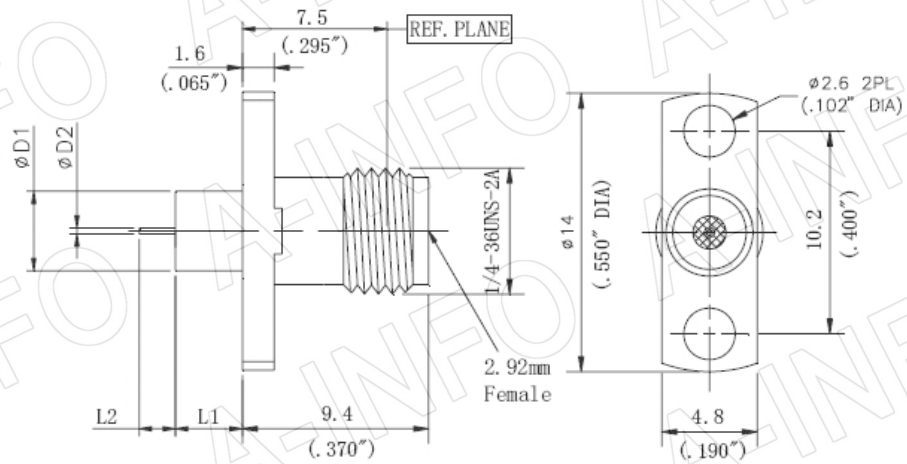
P/N	D1	D2	L1	L2
HPC3314-01	4mm/0.158inch	0.3mm/0.012inch	1.4mm/0.055inch	1.5mm/0.059inch
HPC3314-02	4mm/0.158inch	0.3mm/0.012inch	3mm/0.118inch	1.5mm/0.059inch



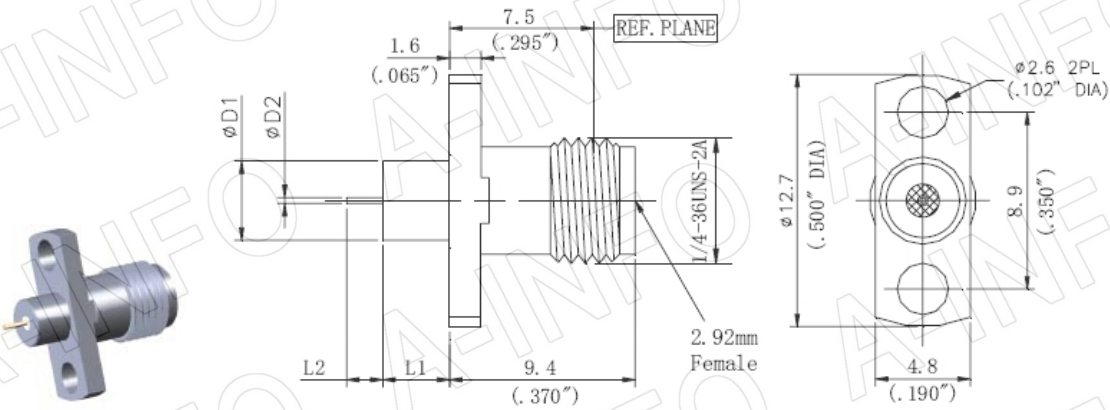
P/N	D1	D2	L1	L2
HPC3315-01	4mm/0.158inch	0.3mm/0.012inch	1.4mm/0.055inch	1.5mm/0.059inch
HPC3315-02	4mm/0.158inch	0.3mm/0.012inch	3mm/0.118inch	1.5mm/0.059inch



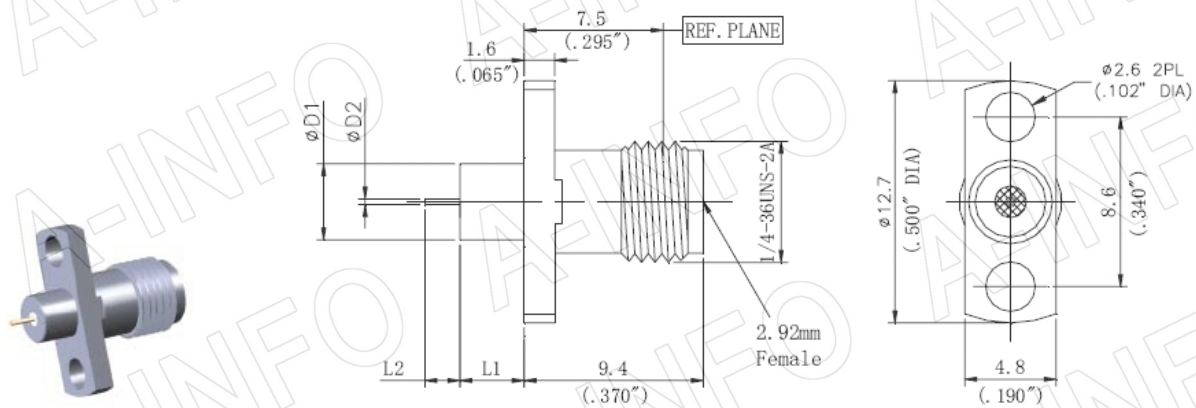
P/N	D1	D2	L1	L2
HPC3316-01	4mm/0.158inch	0.3mm/0.012inch	1.4mm/0.055inch	1.5mm/0.059inch
HPC3316-02	4mm/0.158inch	0.3mm/0.012inch	3mm/0.118inch	1.5mm/0.059inch



P/N	D1	D2	L1	L2
HPC3317-01	4mm/0.158inch	0.3mm/0.012inch	1.4mm/0.055inch	1.5mm/0.059inch
HPC3317-02	4mm/0.158inch	0.3mm/0.012inch	3mm/0.118inch	1.5mm/0.059inch

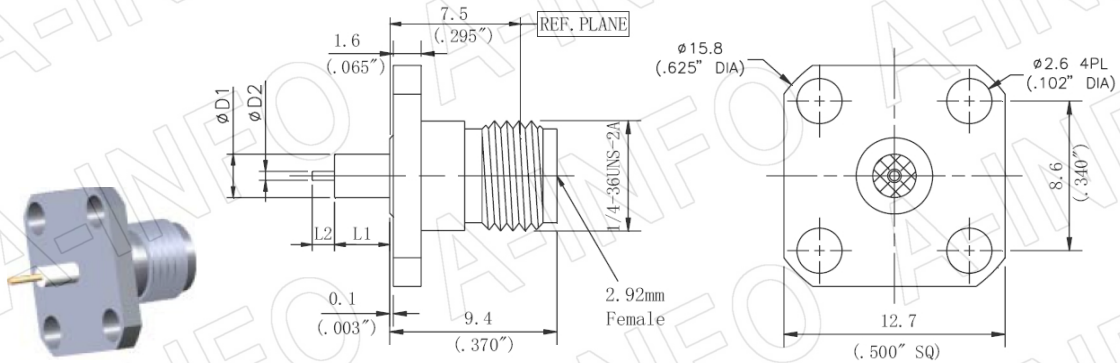


P/N	D1	D2	L1	L2
HPC3318-01	4mm/0.158inch	0.3mm/0.012inch	1.4mm/0.055inch	1.5mm/0.059inch
HPC3318-02	4mm/0.158inch	0.3mm/0.012inch	3mm/0.118inch	1.5mm/0.059inch

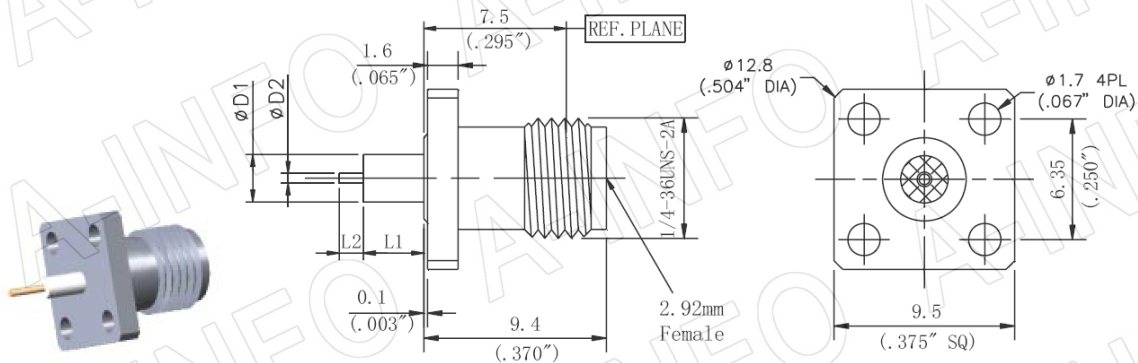


P/N	D1	D2	L1	L2
HPC3319-01	4mm/0.158inch	0.3mm/0.012inch	1.4mm/0.055inch	1.5mm/0.059inch
HPC3319-02	4mm/0.158inch	0.3mm/0.012inch	3mm/0.118inch	1.5mm/0.059inch

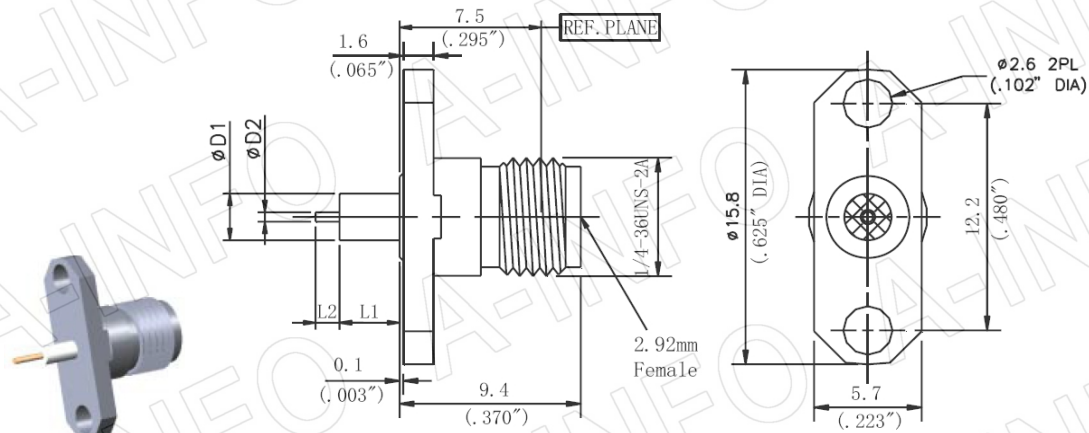
2.92mm Series Exposed Teflon Connectors



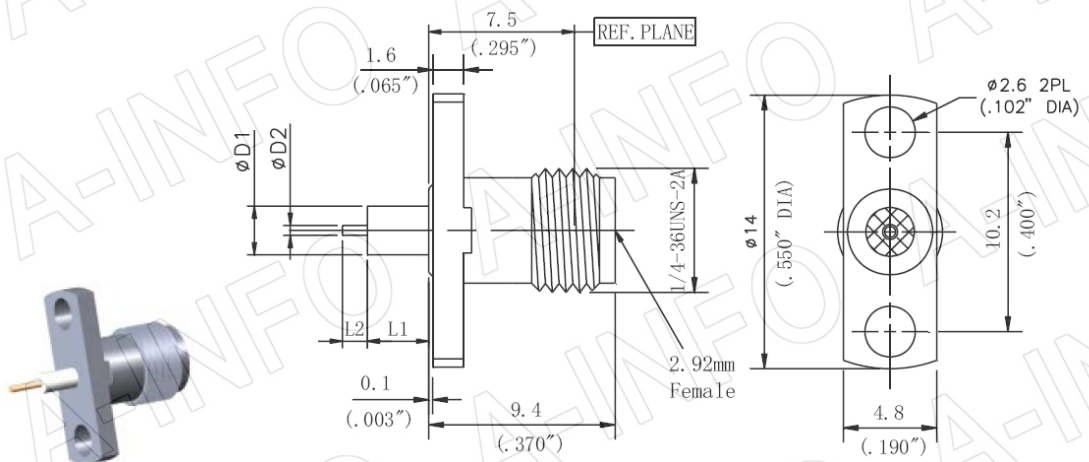
P/N	D1	D2	L1	L2
HPC3320-01	1.67mm/0.066inch	0.3mm/0.012inch	1.4mm/0.055inch	1.5mm/0.059inch
HPC3320-02	1.67mm/0.066inch	0.3mm/0.012inch	3mm/0.118inch	1.5mm/0.059inch



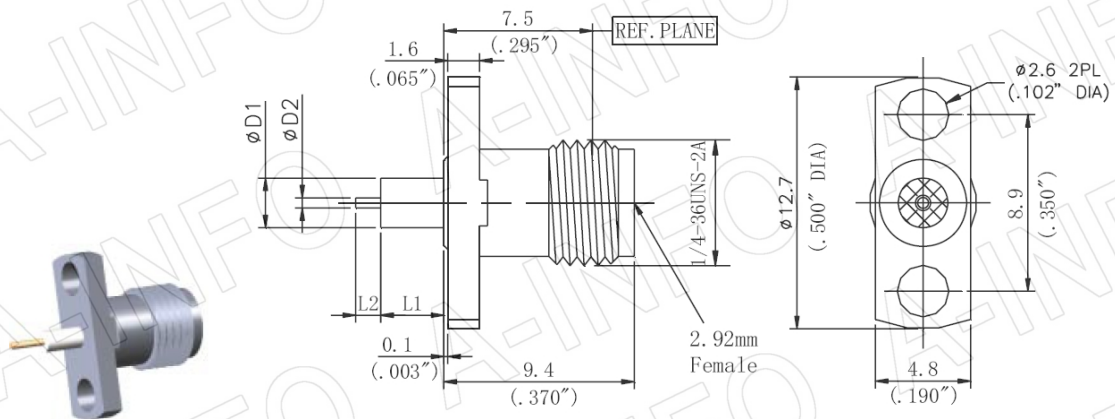
P/N	D1	D2	L1	L2
HPC3321-01	1.67mm/0.066inch	0.3mm/0.012inch	1.4mm/0.055inch	1.5mm/0.059inch
HPC3321-02	1.67mm/0.066inch	0.3mm/0.012inch	3mm/0.118inch	1.5mm/0.059inch



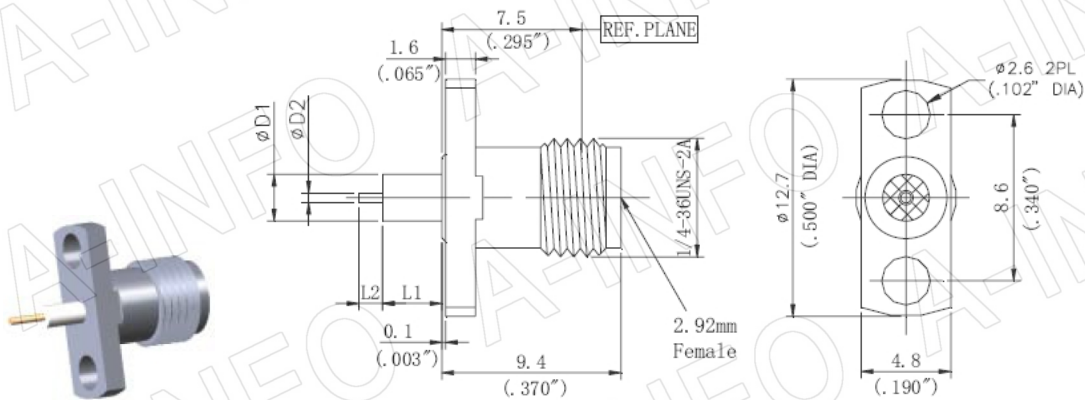
P/N	D1	D2	L1	L2
HPC3322-01	1.67mm/0.066inch	0.3mm/0.012inch	1.4mm/0.055inch	1.5mm/0.059inch
HPC3322-02	1.67mm/0.066inch	0.3mm/0.012inch	3mm/0.118inch	1.5mm/0.059inch



P/N	D1	D2	L1	L2
HPC3323-01	1.67mm/0.066inch	0.3mm/0.012inch	1.4mm/0.055inch	1.5mm/0.059inch
HPC3323-02	1.67mm/0.066inch	0.3mm/0.012inch	3mm/0.118inch	1.5mm/0.059inch

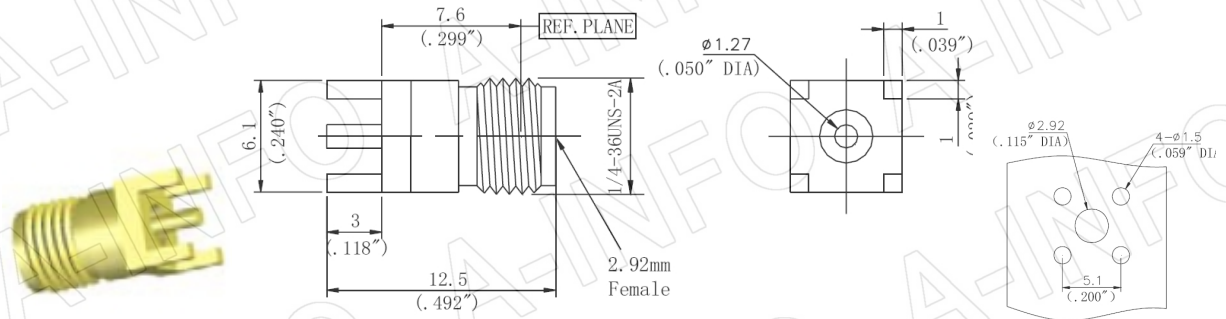
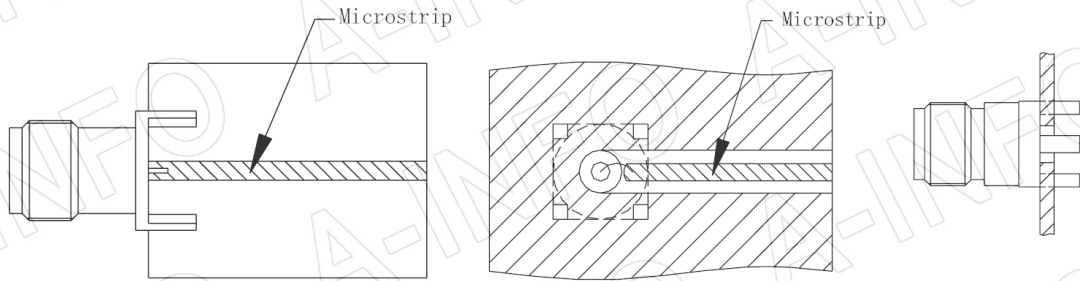


P/N	D1	D2	L1	L2
HPC3324-01	1.67mm/0.066inch	0.3mm/0.012inch	1.4mm/0.055inch	1.5mm/0.059inch
HPC3324-02	1.67mm/0.066inch	0.3mm/0.012inch	3mm/0.118inch	1.5mm/0.059inch

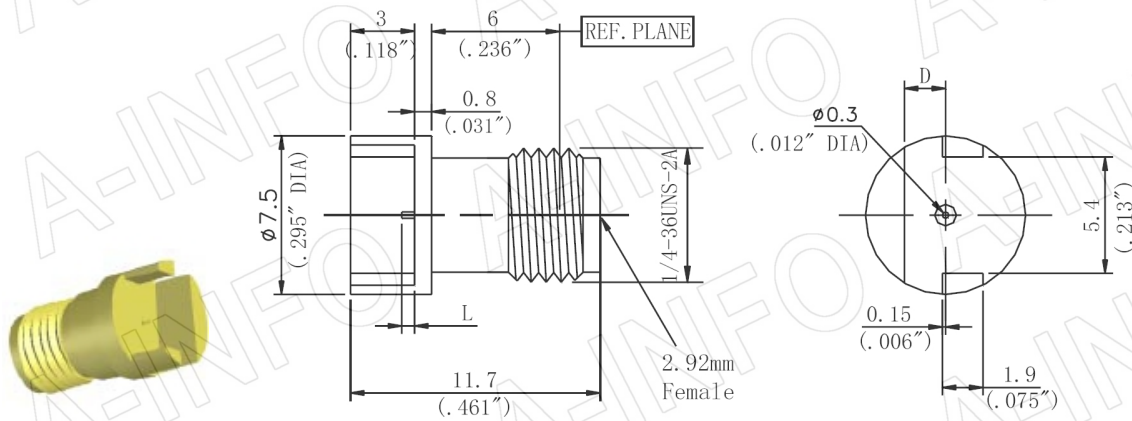


P/N	D1	D2	L1	L2
HPC3325-01	1.67mm/0.066inch	0.3mm/0.012inch	1.4mm/0.055inch	1.5mm/0.059inch
HPC3325-02	1.67mm/0.066inch	0.3mm/0.012inch	3mm/0.118inch	1.5mm/0.059inch

2.92mm Series PCB Connectors

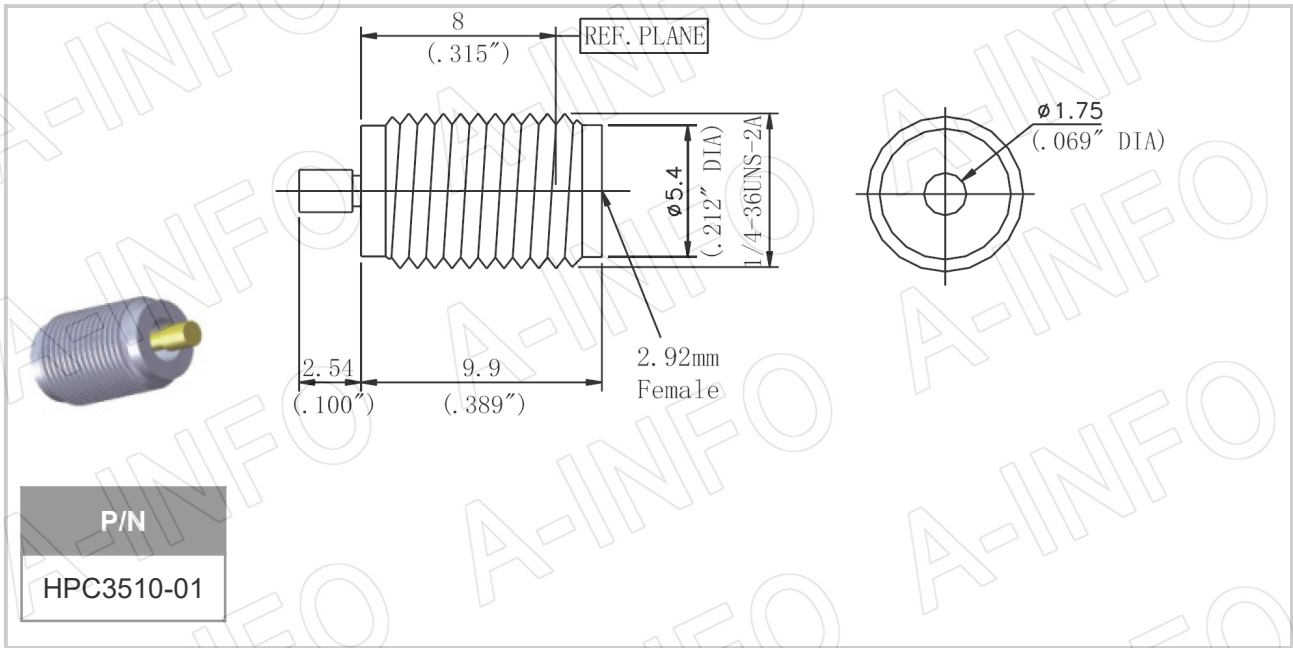


P/N
HPC3410-01



P/N	D	L	Thickness of Board
HPC3411-01	1.93mm/0.076inch	0.6mm/0.023inch	1.78mm/0.070inch
HPC3411-02	0.76mm/0.030inch	0.6mm/0.023inch	0.61mm/0.024inch
HPC3411-03	1.02mm/0.04inch	0.6mm/0.023inch	0.87mm/0.034inch

2.92mm Series Stripline Receptacle Connectors



2.4mm Connector Series

Performance Features

Nominal Impedance: 50ohm

Frequency Range: DC-50GHz

VSWR: DC-50GHz.... 1.15:1 max

Durability: 500cycles

Operating Temperature: -55°C ~ +165°C

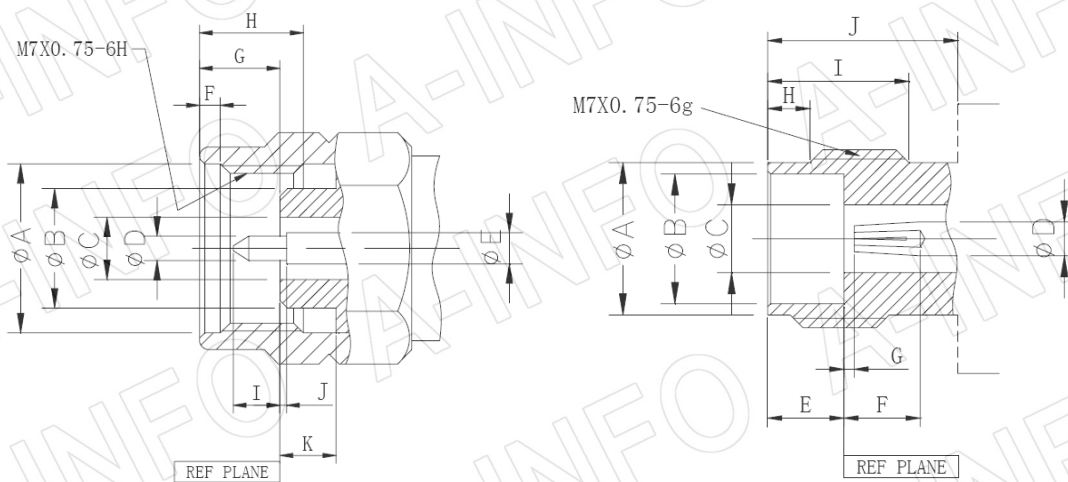
Materials/Finishes

Housing: Type 303 Stainless Steel-Polished & Passivated

Center Contact: Beryllium Copper Plated Gold (MIL-G-45204)

Insulators: PEI or PEI&PTFE

Interface: IEEE -STD-287-2007



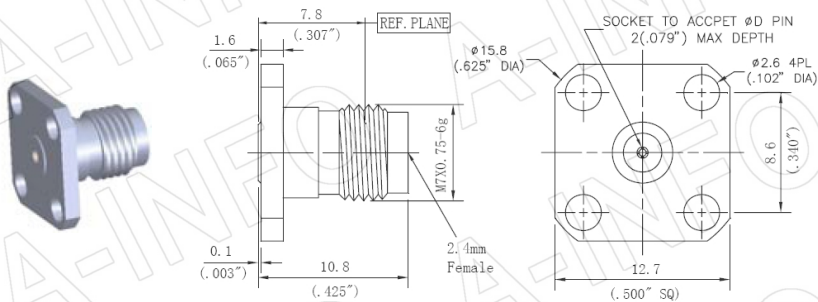
2.4mm Male

	Mm		Inch	
	Min	Max	Min	Max
A	7.01	7.11	0.276	0.280
B	4.72	4.75	0.186	0.187
C	2.39	2.41	0.094	0.095
D	0.50	0.52	0.0196	0.0206
E	1.03	1.05	0.0405	0.0415
F	0.51	0.76	0.020	0.030
G	1.85	2.67	0.073	0.105
H	4.37	4.65	0.172	0.183
I	1.35	1.45	0.053	0.057
J	-	0.08	-	0.003
K	3.40	3.51	0.134	0.138

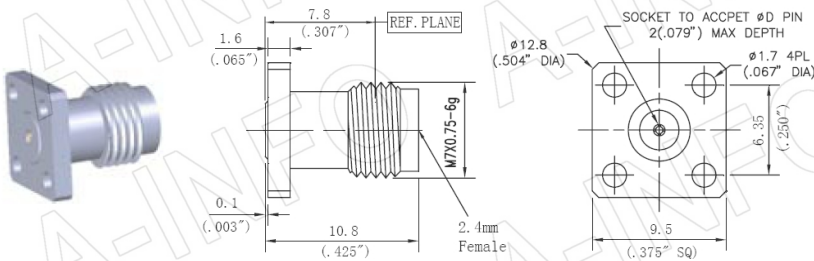
2.4mm Female

	mm		Inch	
	Min	Max	Min	Max
A	5.79	5.89	0.228	0.232
B	4.77	4.80	0.1878	0.1888
C	2.39	2.41	0.094	0.095
D	1.03	1.05	0.0406	0.0414
E	3.00	3.10	0.118	0.122
F	2.65	-	0.1043	-
G	-	0.08	-	0.003
H	1.37	1.63	0.054	0.064
I	4.80	5.05	0.189	0.199
J	6	-	0.2362	-

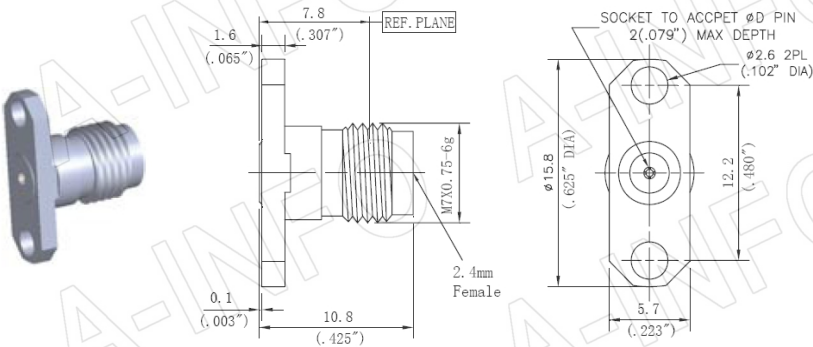
2.4mm Series Field Replaceable Flange Connectors



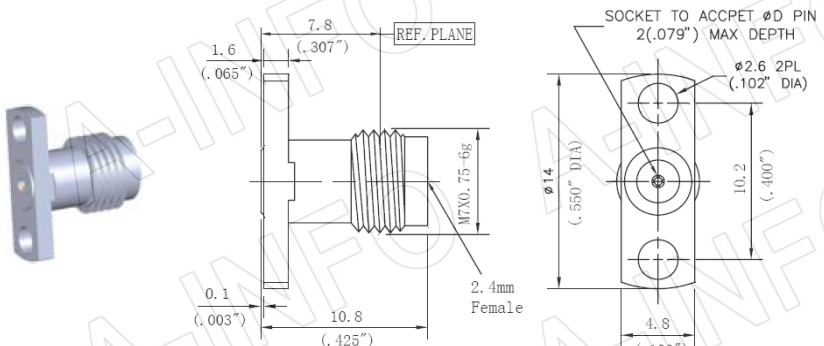
P/N	D
HPC4110-09	0.23mm/0.009"
HPC4110-12	0.30mm/0.012"
HPC4110-20	0.51mm/0.020"



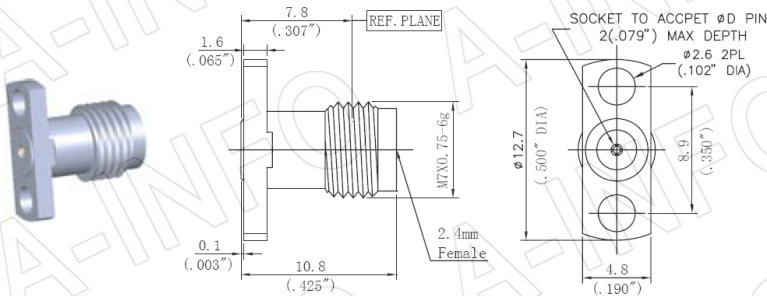
P/N	D
HPC4111-09	0.23mm/0.009"
HPC4111-12	0.30mm/0.012"
HPC4111-20	0.51mm/0.020"



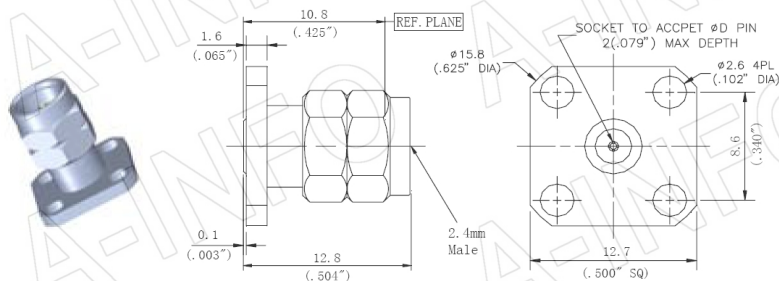
P/N	D
HPC4113-09	0.23mm/0.009"
HPC4113-12	0.30mm/0.012"
HPC4113-20	0.51mm/0.020"



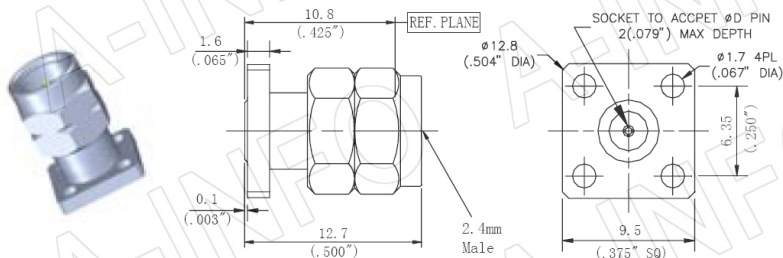
P/N	D
HPC4114-09	0.23mm/0.009"
HPC4114-12	0.30mm/0.012"
HPC4114-20	0.51mm/0.020"



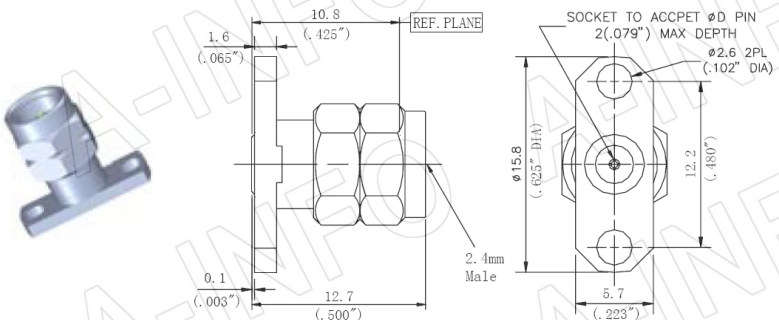
P/N	D
HPC4115-09	0.23mm/0.009"
HPC4115-12	0.30mm/0.012"
HPC4115-20	0.51mm/0.020"



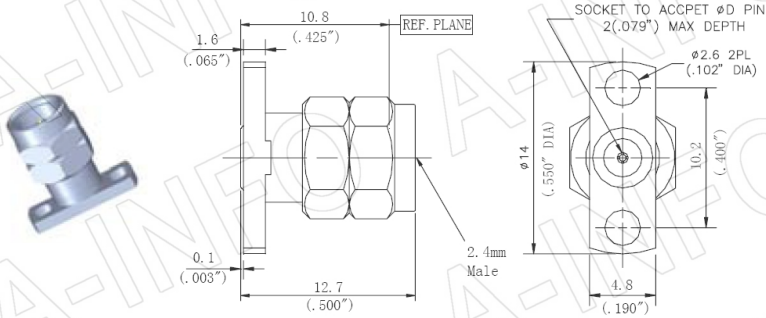
P/N	D
HPC4117-09	0.23mm/0.009"
HPC4117-12	0.30mm/0.012"
HPC4117-20	0.51mm/0.020"



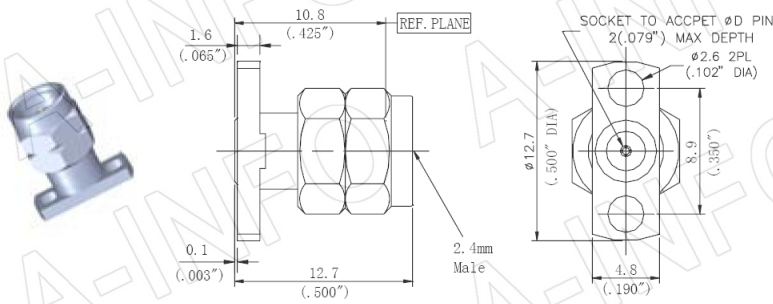
P/N	D
HPC4118-09	0.23mm/0.009"
HPC4118-12	0.30mm/0.012"
HPC4118-20	0.51mm/0.020"



P/N	D
HPC4120-09	0.23mm/0.009"
HPC4120-12	0.30mm/0.012"
HPC4120-20	0.51mm/0.020"

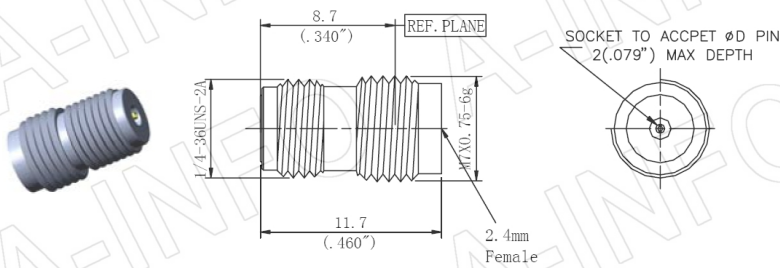


P/N	D
HPC4121-09	0.23mm/0.009"
HPC4121-12	0.30mm/0.012"
HPC4121-20	0.51mm/0.020"

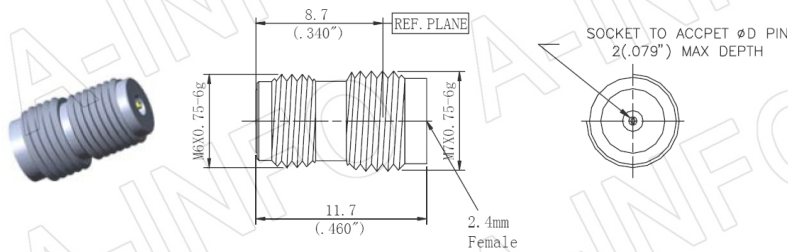


P/N	D
HPC4122-09	0.23mm/0.009"
HPC4122-12	0.30mm/0.012"
HPC4122-20	0.51mm/0.020"

2.4mm Series Field Replaceable Thread-in Connectors

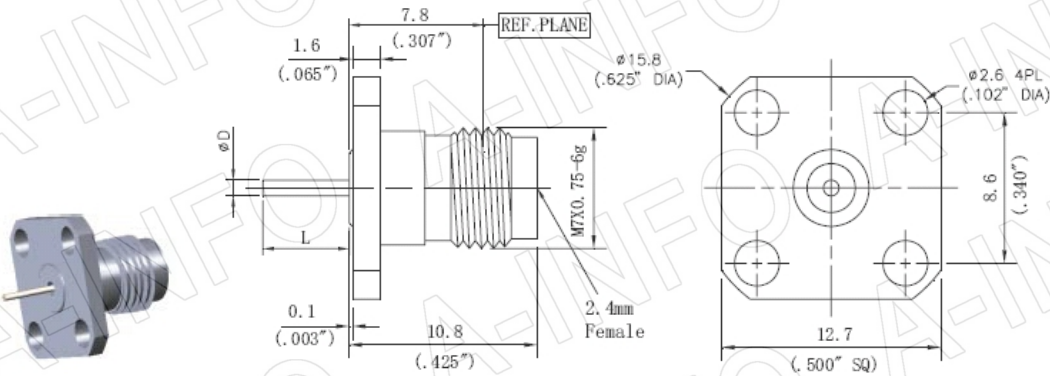


P/N	D
HPC4210-09	0.009inch/0.23mm
HPC4210-12	0.012inch/0.30mm
HPC4210-20	0.020inch/0.51mm

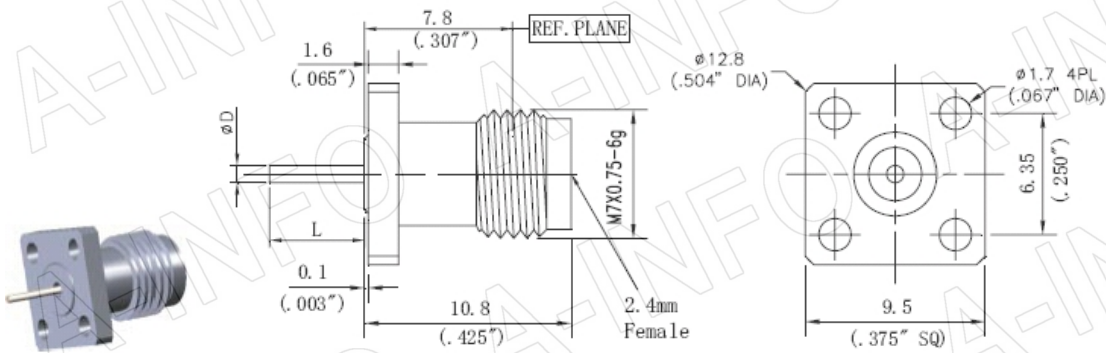


P/N	D
HPC4211-09	0.009inch/0.23mm
HPC4211-12	0.012inch/0.30mm
HPC4211-20	0.020inch/0.51mm

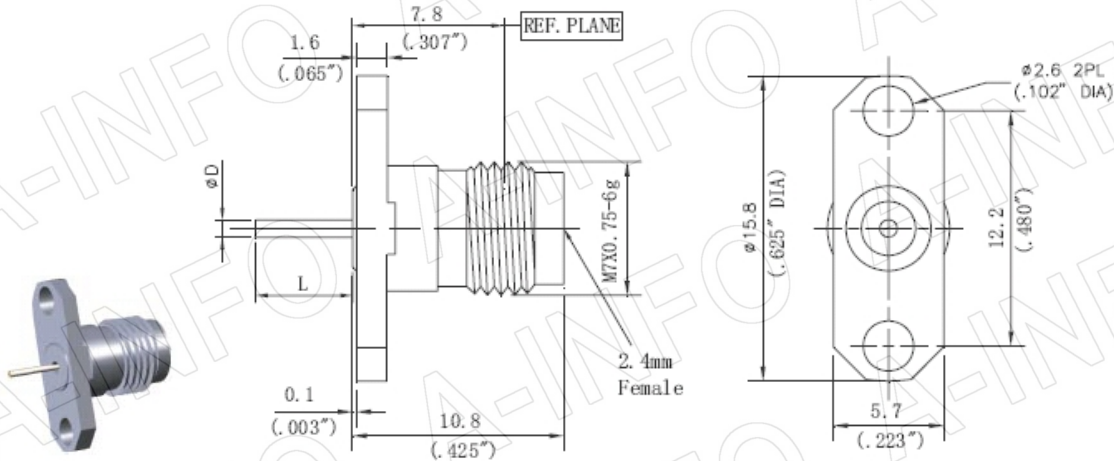
2.4mm Series Blunt Post Connectors



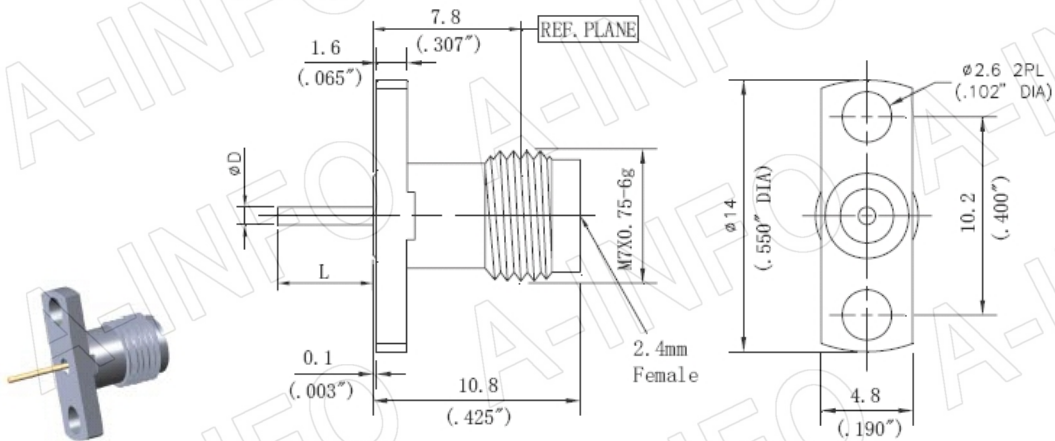
P/N	D	L
HPC4312-10	0.75mm/0.029inch	9mm/0.354inch
HPC4312-11	0.86mm/0.034inch	8.75mm/0.344inch
HPC4312-12	1mm/0.04inch	5.5mm/0.216inch
HPC4312-13	1.04mm/0.041inch	6.34mm/0.250inch
HPC4312-14	1.2mm/0.047inch	3mm/0.118inch



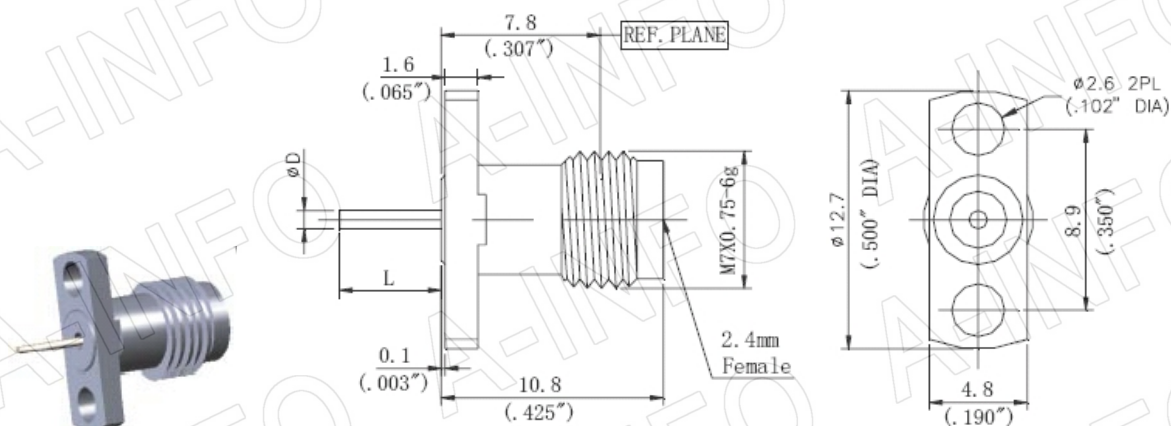
P/N	D	L
HPC4312-20	0.75mm/0.029inch	9mm/0.354inch
HPC4312-21	0.86mm/0.034inch	8.75mm/0.344inch
HPC4312-22	1mm/0.04inch	5.5mm/0.216inch
HPC4312-23	1.04mm/0.041inch	6.34mm/0.250inch
HPC4312-24	1.2mm/0.047inch	3mm/0.118inch



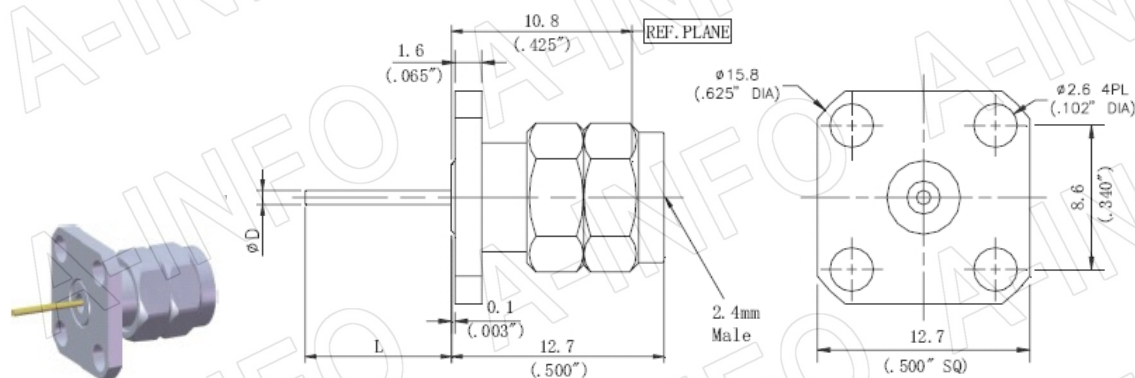
P/N	D	L
HPC4313-10	0.75mm/0.029inch	9mm/0.354inch
HPC4313-11	0.86mm/0.034inch	8.75mm/0.344inch
HPC4313-12	1mm/0.04inch	5.5mm/0.216inch
HPC4313-13	1.04mm/0.041inch	6.34mm/0.250inch
HPC4313-14	1.2mm/0.047inch	3mm/0.118inch



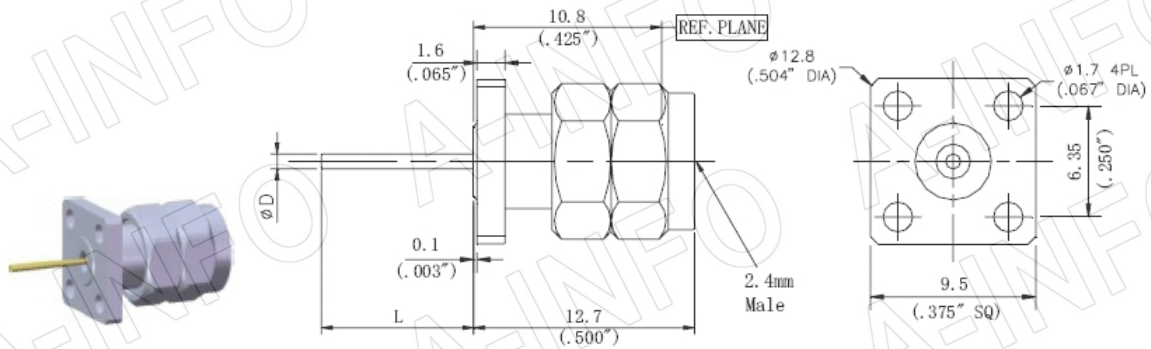
P/N	D	L
HPC4313-20	0.75mm/0.029inch	9mm/0.354inch
HPC4313-21	0.86mm/0.034inch	8.75mm/0.344inch
HPC4313-22	1mm/0.04inch	5.5mm/0.216inch
HPC4313-23	1.04mm/0.041inch	6.34mm/0.250inch
HPC4313-24	1.2mm/0.047inch	3mm/0.118inch



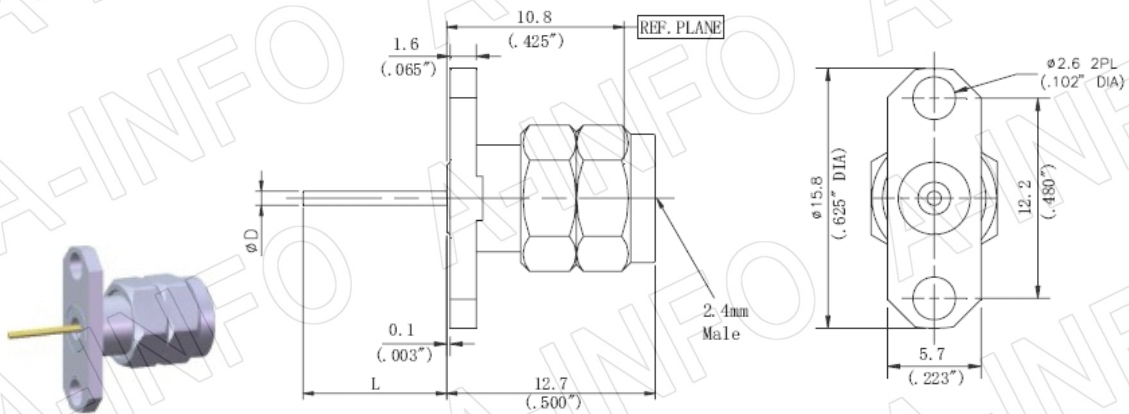
P/N	D	L
HPC4313-30	0.75mm/0.029inch	9mm/0.354inch
HPC4313-31	0.86mm/0.034inch	8.75mm/0.344inch
HPC4313-32	1mm/0.04inch	5.5mm/0.216inch
HPC4313-33	1.04mm/0.041inch	6.34mm/0.250inch
HPC4313-34	1.2mm/0.047inch	3mm/0.118inch



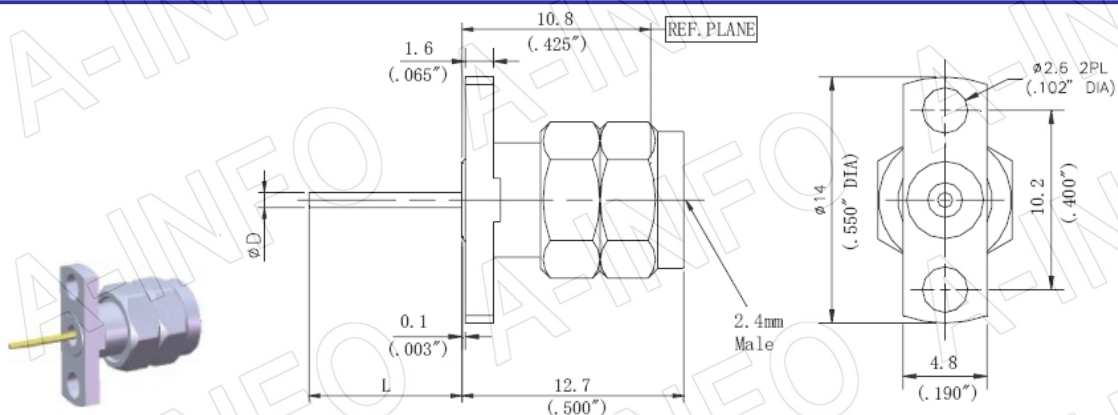
P/N	D	L
HPC4310-01	0.86mm/0.034inch	8.75mm/0.344inch



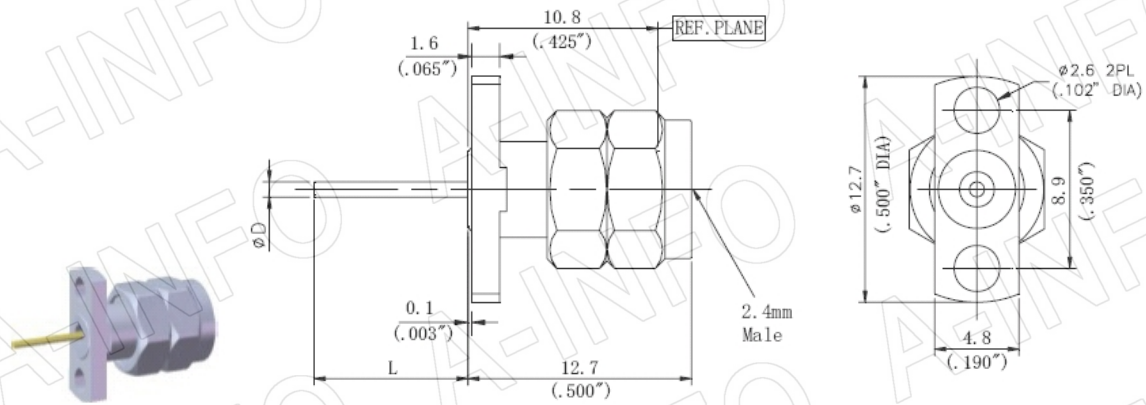
P/N	D	L
HPC4310-02	0.86mm/0.034inch	8.75mm/0.344inch



P/N	D	L
HPC4311-01	0.86mm/0.034inch	8.75mm/0.344inch

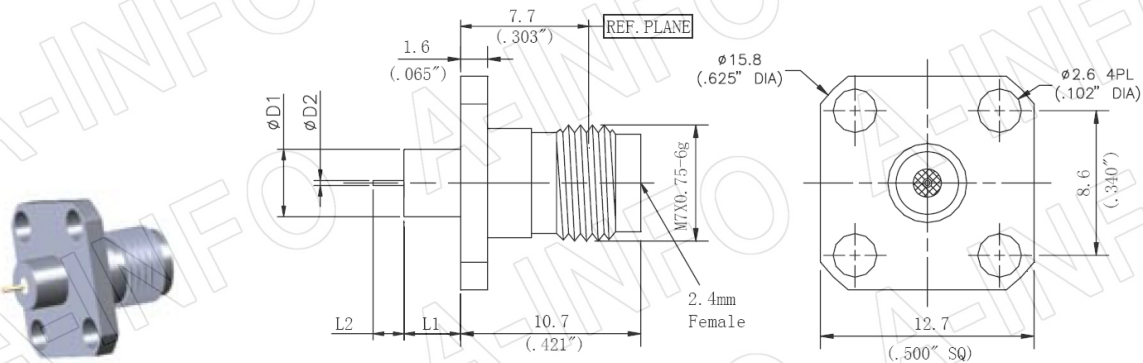


P/N	D	L
HPC4311-02	0.86mm/0.034inch	8.75mm/0.344inch

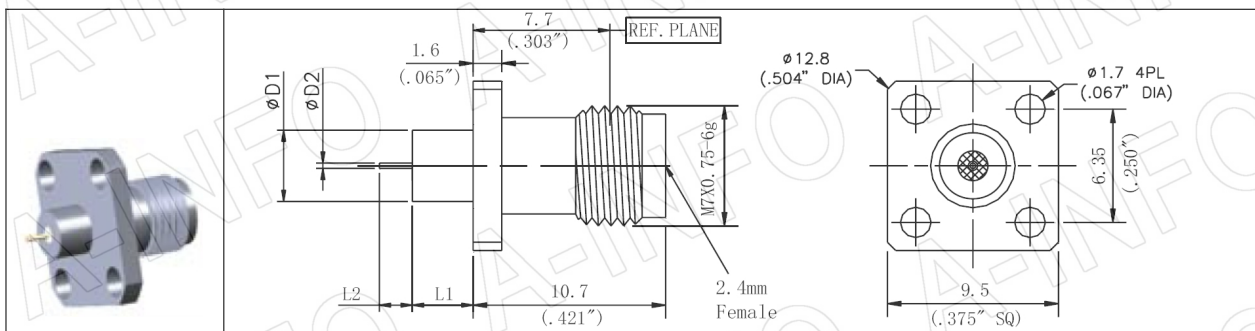


P/N	D	L
HPC4311-03	0.86mm/0.034inch	8.75mm/0.344inch

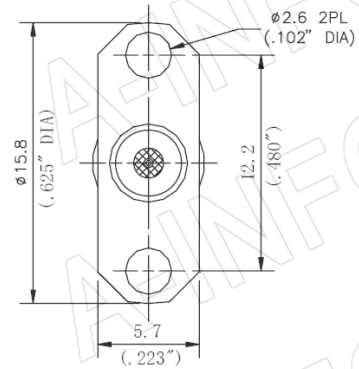
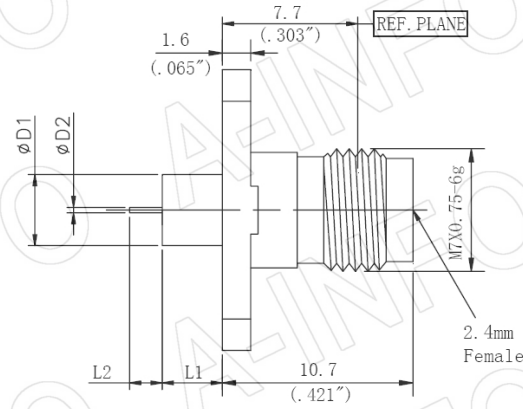
2.4mm Series Round Contact Connectors



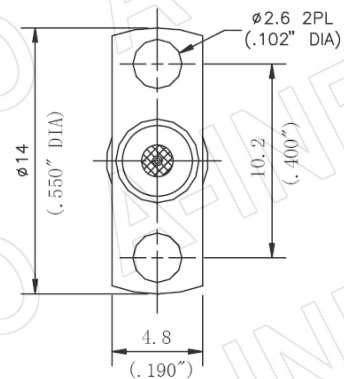
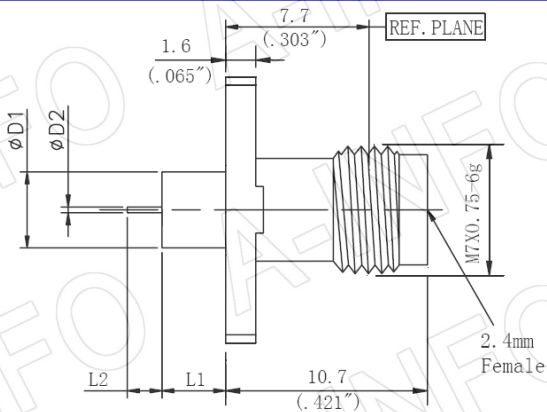
P/N	D1	D2	L1	L2
HPC4410-01	4mm/0.158inch	0.3mm/0.012inch	1.4mm/0.055inch	1.5mm/0.059inch
HPC4410-02	4mm/0.158inch	0.3mm/0.012inch	3mm/0.118inch	1.5mm/0.059inch



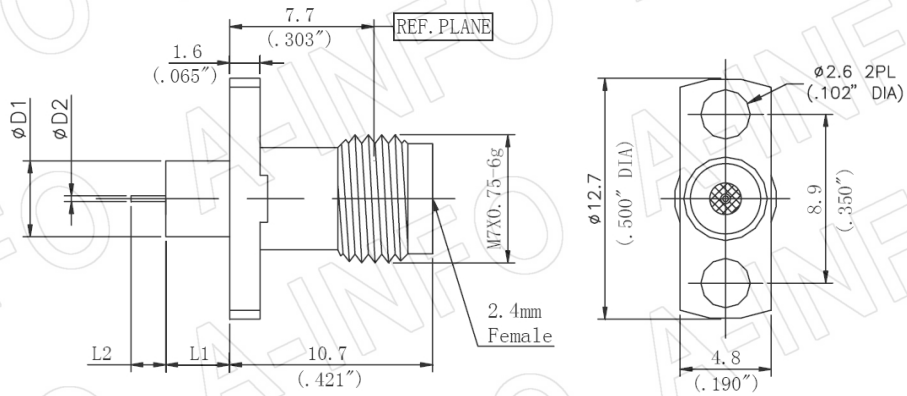
P/N	D1	D2	L1	L2
HPC4411-01	4mm/0.158inch	0.3mm/0.012inch	1.4mm/0.055inch	1.5mm/0.059inch
HPC4411-02	4mm/0.158inch	0.3mm/0.012inch	3mm/0.118inch	1.5mm/0.059inch



P/N	D1	D2	L1	L2
HPC4412-01	4mm/0.158inch	0.3mm/0.012inch	1.4mm/0.055inch	1.5mm/0.059inch
HPC4412-02	4mm/0.158inch	0.3mm/0.012inch	3mm/0.118inch	1.5mm/0.059inch

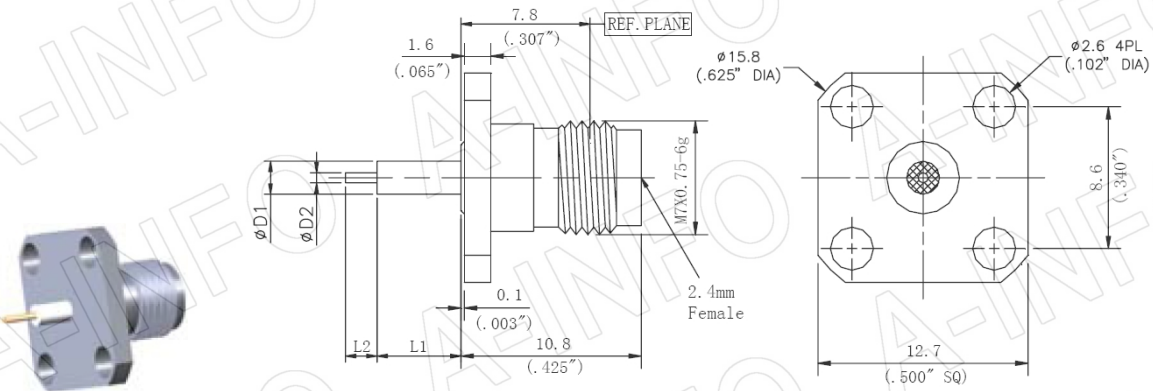


P/N	D1	D2	L1	L2
HPC4413-01	4mm/0.158inch	0.3mm/0.012inch	1.4mm/0.055inch	1.5mm/0.059inch
HPC4413-02	4mm/0.158inch	0.3mm/0.012inch	3mm/0.118inch	1.5mm/0.059inch

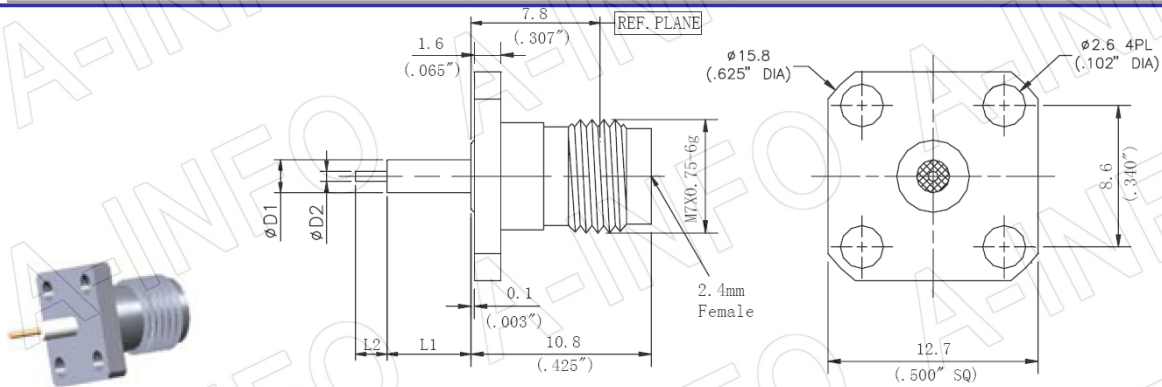


P/N	D1	D2	L1	L2
HPC4414-01	4mm/0.158inch	0.3mm/0.012inch	1.4mm/0.055inch	1.5mm/0.059inch
HPC4414-02	4mm/0.158inch	0.3mm/0.012inch	3mm/0.118inch	1.5mm/0.059inch

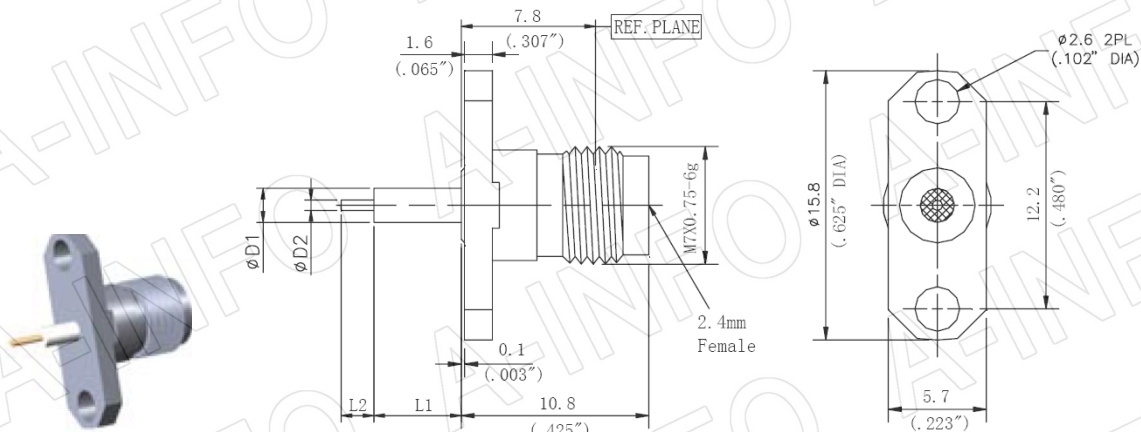
2.4mm Series Exposed Teflon Connectors



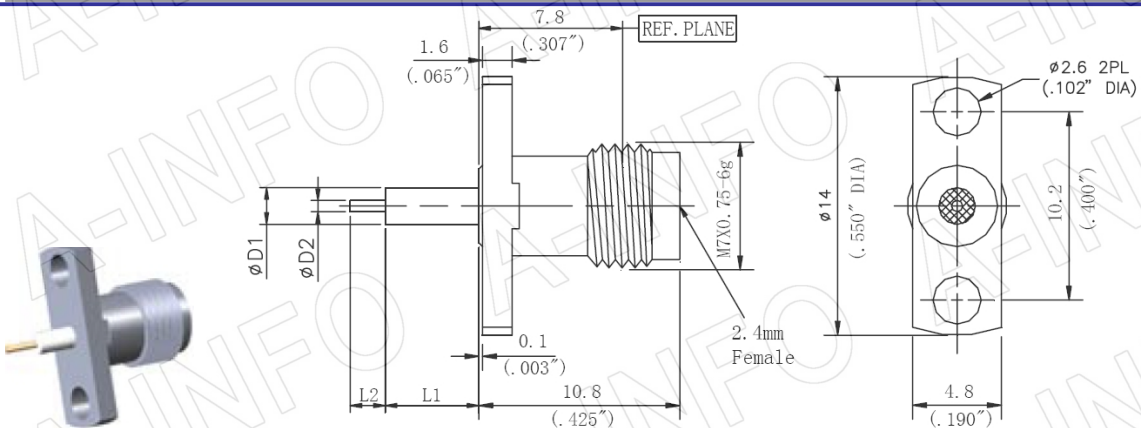
P/N	D1	D2	L1	L2
HPC4510-01	1.67mm/0.066inch	0.3mm/0.012inch	1.4mm/0.055inch	1.5mm/0.059inch
HPC4510-02	1.67mm/0.066inch	0.3mm/0.012inch	3mm/0.118inch	1.5mm/0.059inch
HPC4510-03	2mm/0.078inch	0.61mm/0.024inch	6.35mm/0.25inch	1.27mm/0.05inch



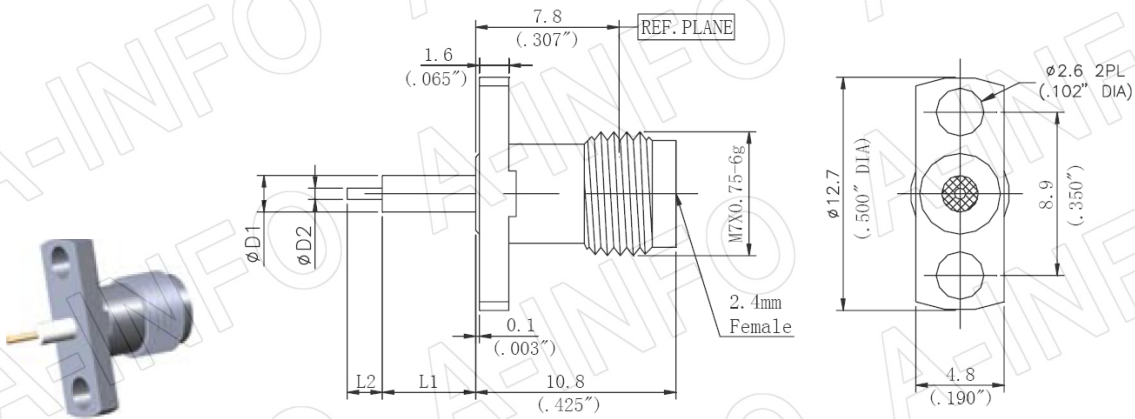
P/N	D1	D2	L1	L2
HPC4511-01	1.67mm/0.066inch	0.3mm/0.012inch	1.4mm/0.055inch	1.5mm/0.059inch
HPC4511-02	1.67mm/0.066inch	0.3mm/0.012inch	3mm/0.118inch	1.5mm/0.059inch
HPC4511-03	2mm/0.078inch	0.61mm/0.024inch	6.35mm/0.25inch	1.27mm/0.05inch



P/N	D1	D2	L1	L2
HPC4512-01	1.67mm/0.066inch	0.3mm/0.012inch	1.4mm/0.055inch	1.5mm/0.059inch
HPC4512-02	1.67mm/0.066inch	0.3mm/0.012inch	3mm/0.118inch	1.5mm/0.059inch
HPC4512-03	2mm/0.078inch	0.61mm/0.024inch	6.35mm/0.25inch	1.27mm/0.05inch



P/N	D1	D2	L1	L2
HPC4513-01	1.67mm/0.066inch	0.3mm/0.012inch	1.4mm/0.055inch	1.5mm/0.059inch
HPC4513-02	1.67mm/0.066inch	0.3mm/0.012inch	3mm/0.118inch	1.5mm/0.059inch
HPC4513-03	2mm/0.078inch	0.61mm/0.024inch	6.35mm/0.25inch	1.27mm/0.05inch



P/N	D1	D2	L1	L2
HPC4514-01	1.67mm/0.066inch	0.3mm/0.012inch	1.4mm/0.055inch	1.5mm/0.059inch
HPC4514-02	1.67mm/0.066inch	0.3mm/0.012inch	3mm/0.118inch	1.5mm/0.059inch
HPC4514-03	2mm/0.078inch	0.61mm/0.024inch	6.35mm/0.25inch	1.27mm/0.05inch

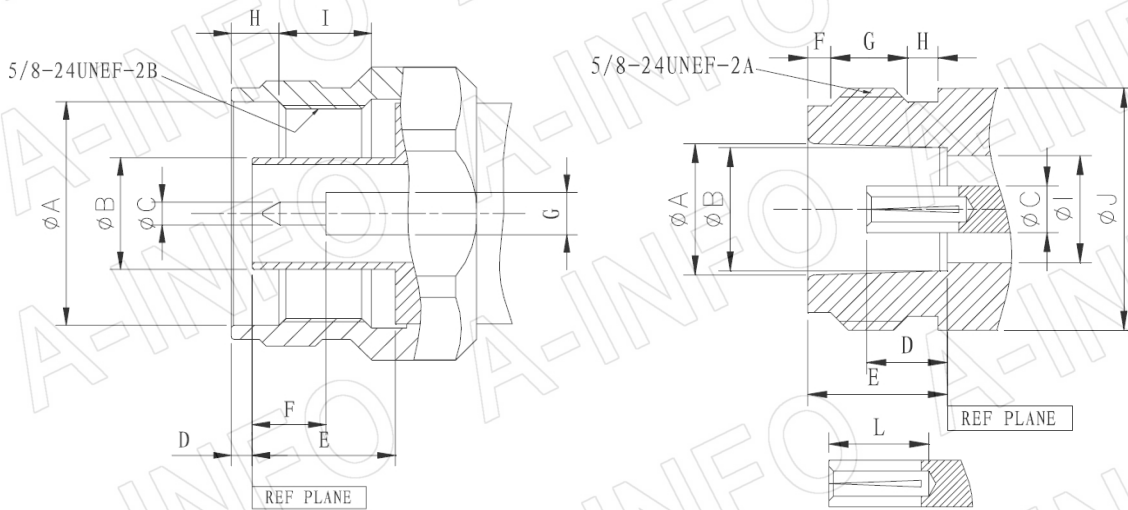
N Type Connector Series

Performance Features

Nominal Impedance: 50ohm
 Frequency Range: DC-18GHz
 VSWR: DC-18GHz.... 1.15:1 max
 Durability: 500cycles
 Operating Temperature: -55°C ~ +165°C

Materials/Finishes

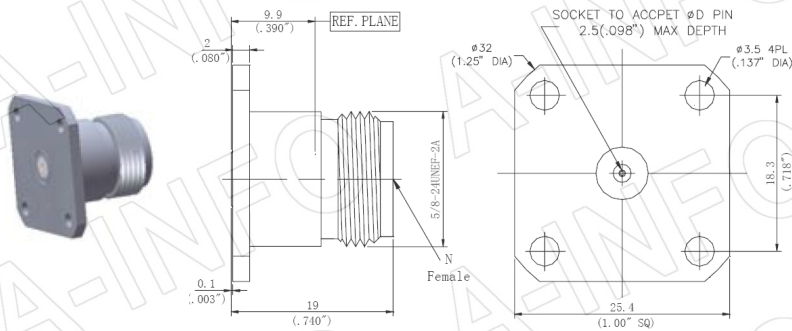
Housing: Type 303 Stainless Steel-Polished & Passivated
 Center Contact: Beryllium Copper Plated Gold (MIL-G-45204)
 Insulators: PEI & PTFE
Interfaces: Per MIL-STD-348A



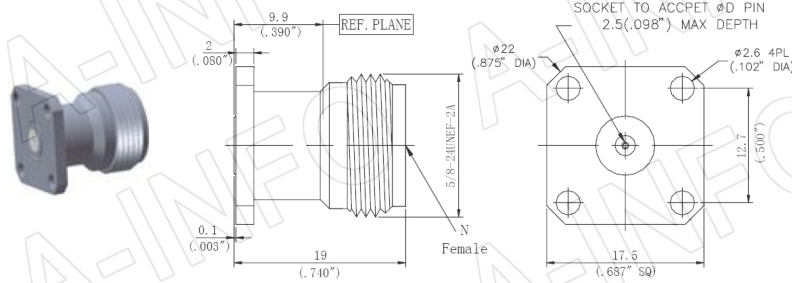
N Type Male				
	mm		Inch	
	Min	Max	Min	Max
A	16.00		0.630	—
B	7.98	8.04	0.3140	0.3165
C	1.64	1.67	0.0644	0.0656
D	0.28	1.30	0.011	0.051
E	9.19	9.45	0.362	0.372
F	5.28	5.36	0.208	0.211
G	3.03	3.05	0.1194	0.1200
H	4.01	4.27	0.158	0.168
I	4.50	5.00	0.177	0.197

N Type Female				
	mm		Inch	
	Min	Max	Min	Max
A	8.53	8.74	0.336	0.344
B	8.05	8.10	0.317	0.319
C	3.03	3.05	0.1194	0.1200
D	5.18	5.26	0.204	0.207
E	9.07	9.17	0.357	0.361
F	1.19	1.96	0.047	0.077
G	4.57	5.59	0.180	0.220
H	1.02	2.03	0.040	0.080
I	6.99	7.01	0.2753	0.2759
J	—	15.93	—	0.627

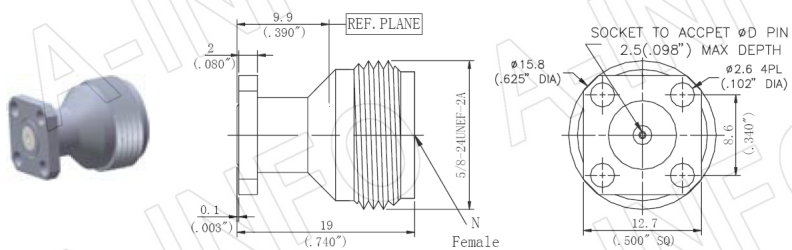
N Series Field Replaceable Flange Connectors



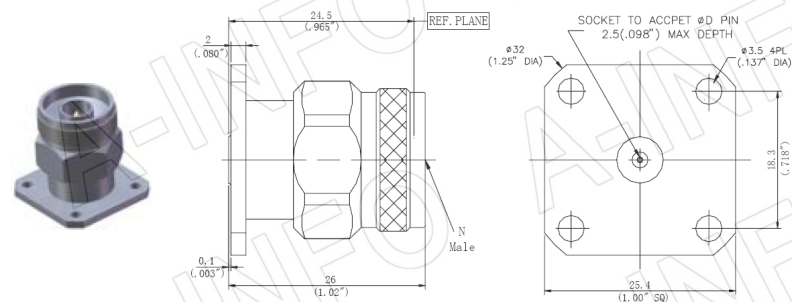
P/N	D
HPC5110-18	0.018inch/0.46mm
HPC5110-20	0.020inch/0.51mm
HPC5110-36	0.036inch/0.91mm



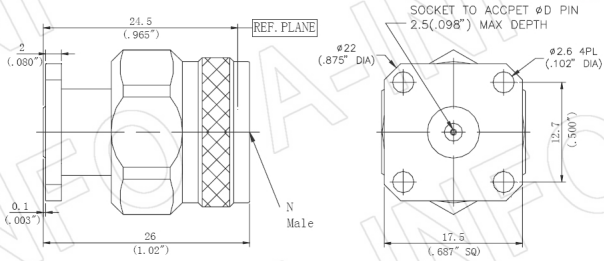
P/N	D
HPC5111-18	0.018inch/0.46mm
HPC5111-20	0.020inch/0.51mm
HPC5111-36	0.036inch/0.91mm



P/N	D
HPC5112-18	0.018inch/0.46mm
HPC5112-20	0.020inch/0.51mm
HPC5112-36	0.036inch/0.91mm

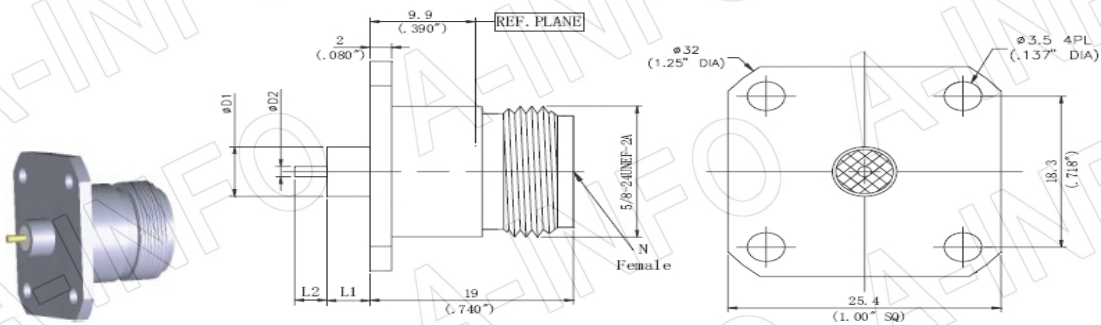


P/N	D
HPC5113-18	0.018inch/0.46mm
HPC5113-20	0.020inch/0.51mm
HPC5113-36	0.036inch/0.91mm

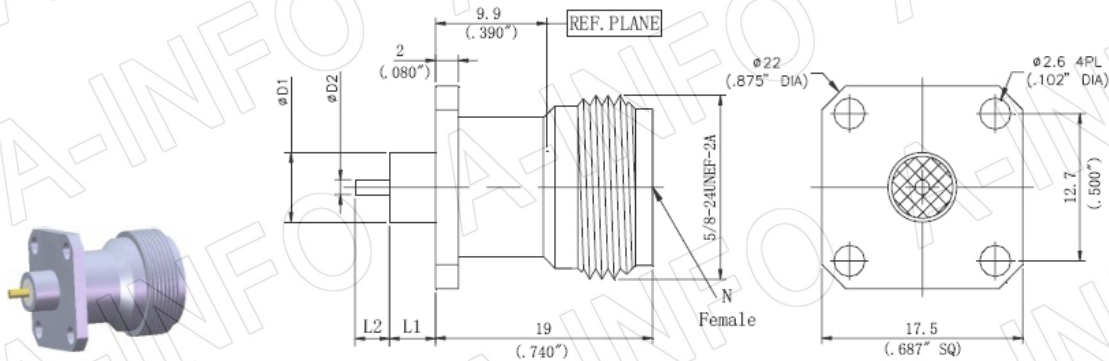


P/N	D
HPC5114-18	0.018inch/0.46mm
HPC5114-20	0.020inch/0.51mm
HPC5114-36	0.036inch/0.91mm

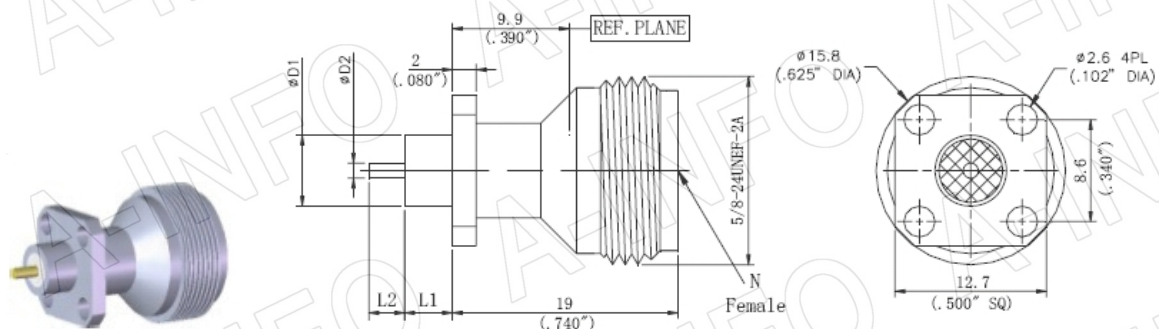
N Series Round Contact Connectors



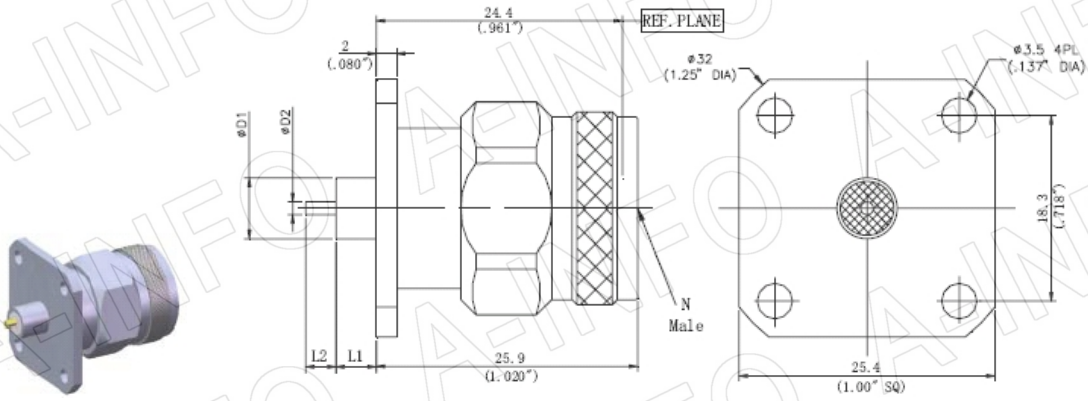
P/N	D1	D2	L1	L2
HPC5210-01	6mm/0.236"	1.27mm/0.05"	4mm/0.158"	3mm/0.118"



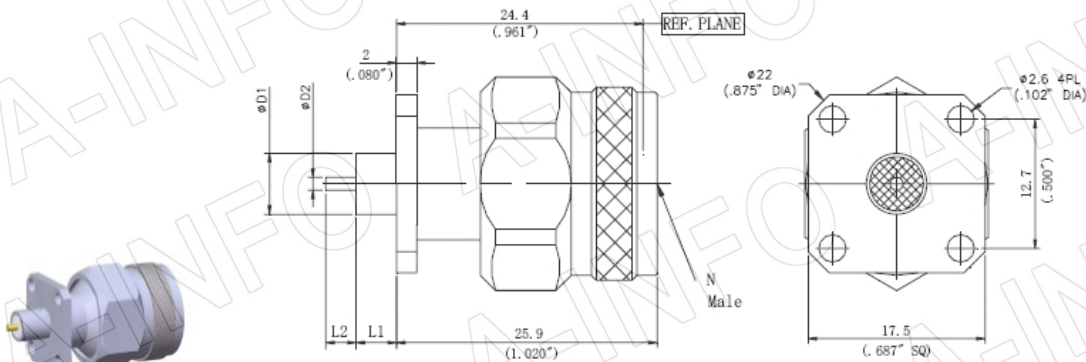
P/N	D1	D2	L1	L2
HPC5210-02	6mm/0.236"	1.27mm/0.05"	4mm/0.158"	3mm/0.118"



P/N	D1	D2	L1	L2
HPC5210-03	6mm/0.236"	1.27mm/0.05"	4mm/0.158"	3mm/0.118"

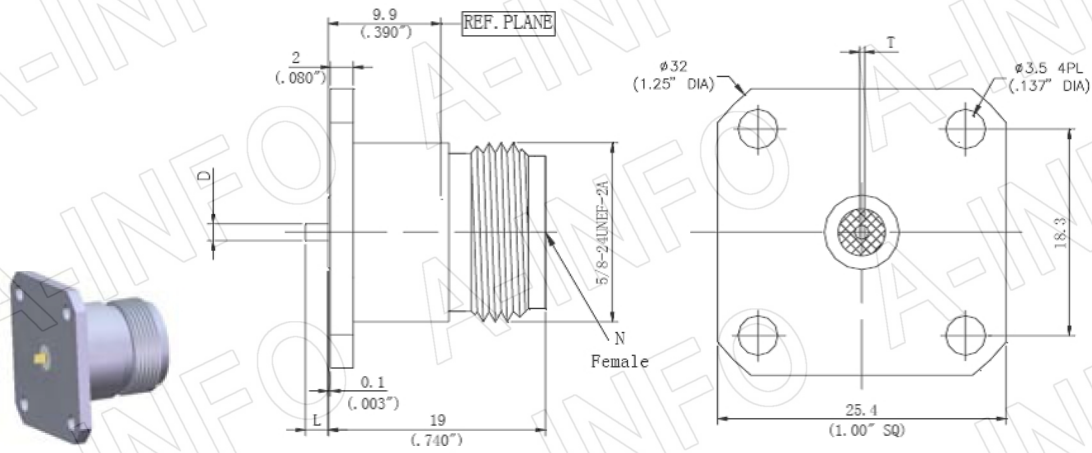


P/N	D1	D2	L1	L2
HPC5210-05	6mm/0.236"	1.27mm/0.05"	4mm/0.158"	3mm/0.118"

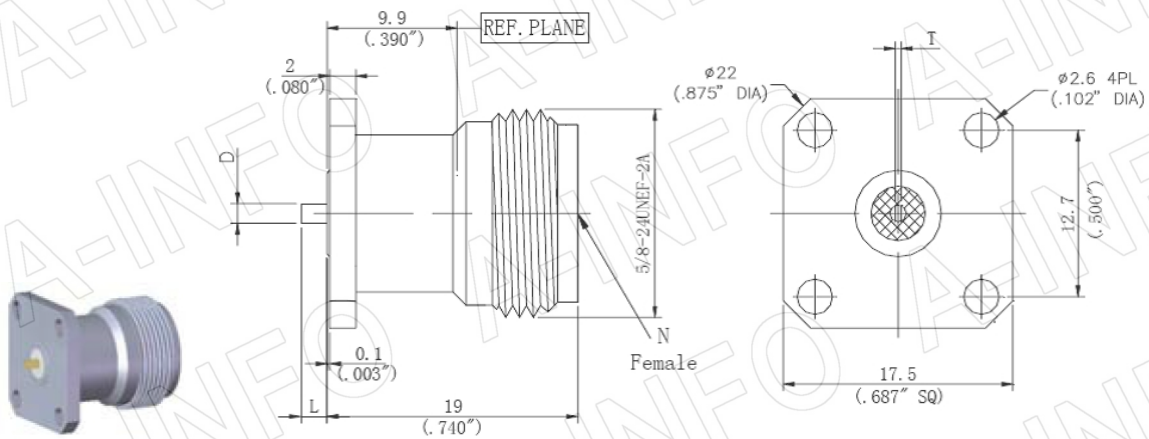


P/N	D1	D2	L1	L2
HPC5210-06	6mm/0.236"	1.27mm/0.05"	4mm/0.158"	3mm/0.118"

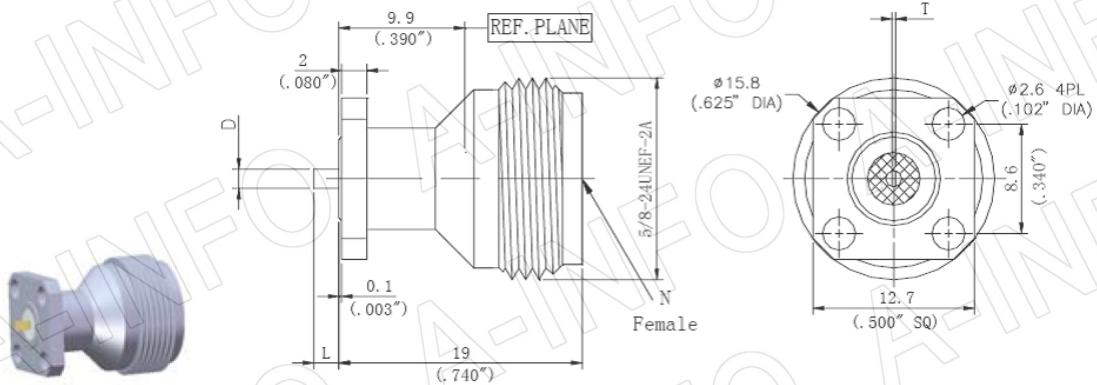
N Series Tab Contact Connectors



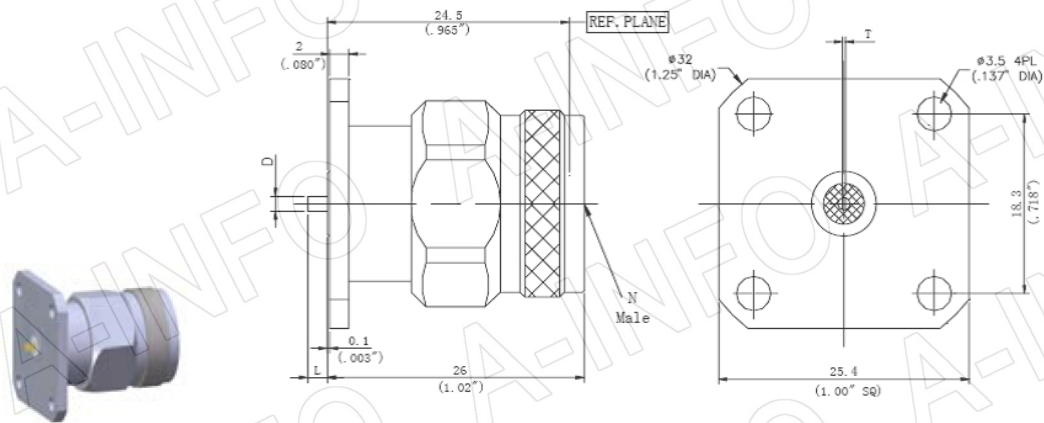
P/N	D	L	T
HPC5310-01	1.5mm/0.059	2mm/0.079"	0.2mm/0.008"



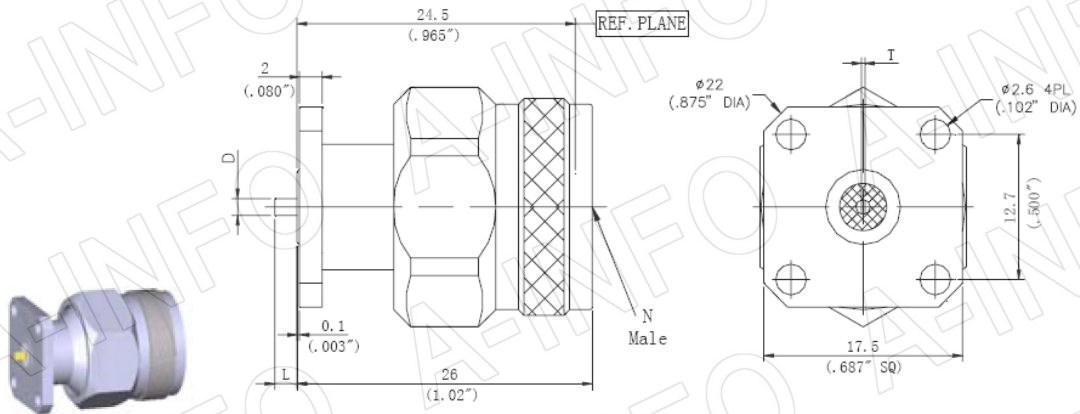
P/N	D	L	T
HPC5311-01	1.5mm/0.059	2mm/0.079"	0.2mm/0.008"



P/N	D	L	T
HPC5312-01	1.5mm/0.059	2mm/0.079"	0.2mm/0.008"

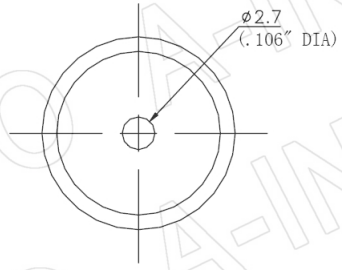
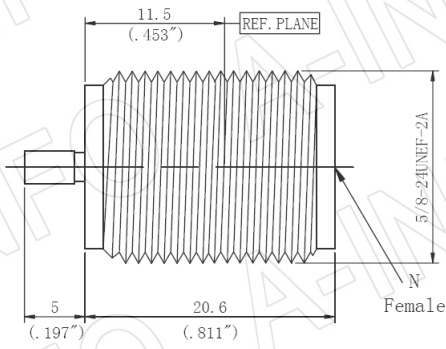


P/N	D	L	T
HPC5313-01	1.5mm/0.059	2mm/0.079"	0.2mm/0.008"



P/N	D	L	T
HPC5314-01	1.5mm/0.059	2mm/0.079"	0.2mm/0.008"

N Series Scripline Receptacle Connectors



P/N
HPC5410-01

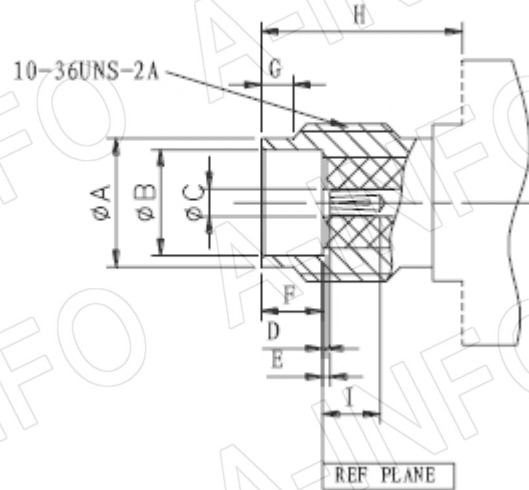
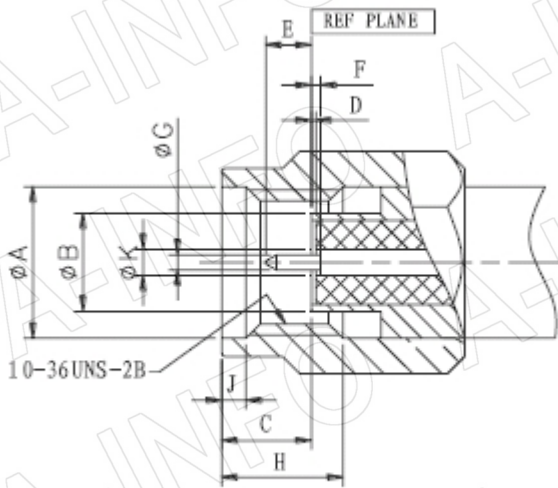
SSMA Connector Series

Performance Features

Nominal Impedance: 50ohm
 Frequency Range: DC-40GHz
 VSWR: DC-40GHz... 1.20:1 max
 Durability: 500 cycles
 Operating Temperature: -55°C ~ +165°C

Materials/Finishes

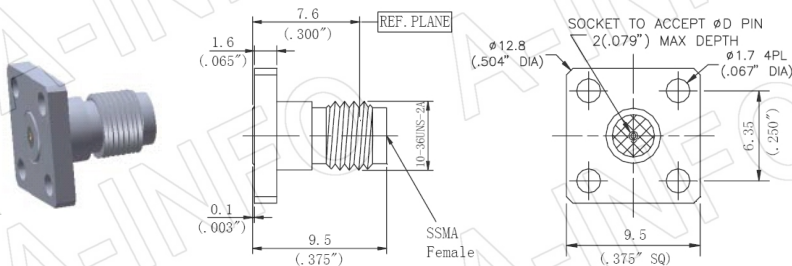
Housing: Type 303 Stainless steel-Polished & Passivated
 Center Contact: Beryllium Copper Plated Gold (MIL-G-45204)
 Insulators: PEI & PTFE
 Interfaces: Per MIL-STD-348A



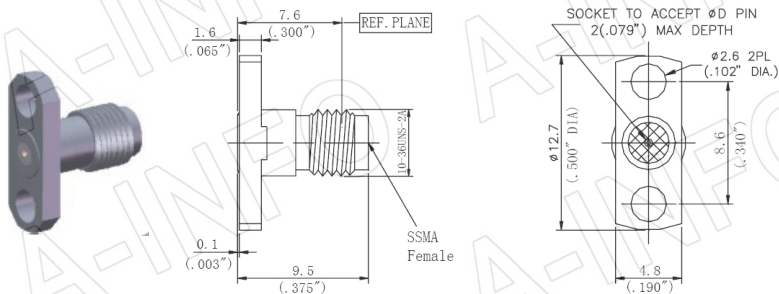
SSMA Male				
	mm		Inch	
	Min	Max	Min	Max
A	4.98	5.13	0.196	0.202
B	3.15	3.22	0.124	0.1268
C	2.54	3.38	0.100	0.133
D	0.00	0.25	0.000	0.010
E	1.27	1.65	0.050	0.065
F	0.00	0.25	0.000	0.010
G	0.50	0.53	0.0195	0.0208
H	3.30	-	0.130	-
I	0.38	1.14	0.015	0.045
J	0.85	0.88	0.0335	0.0348

SSMA Female				
	mm		Inch	
	Min	Max	Min	Max
A	3.89	4.06	0.153	0.160
B	3.23	3.30	0.127	0.130
C	0.851	0.884	0.0335	0.0348
D	0.00	0.25	0.000	0.010
E	0.00	0.25	0.000	0.010
F	1.90	1.96	0.075	0.077
G	0.51	1.02	0.020	0.040
H	5.84	-	0.230	-
I	1.91	-	0.075	-

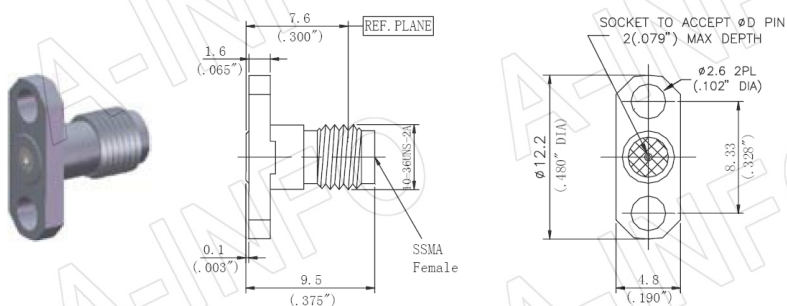
SSMA Series Field Replaceable Flange Connectors



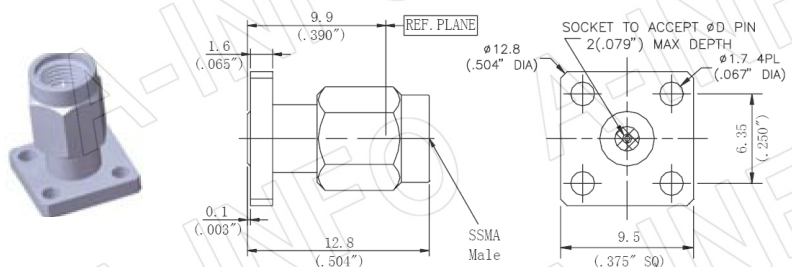
P/N	D
HPC6111-09	0.009inch/0.23mm
HPC6111-12	0.012inch/0.30mm
HPC6111-15	0.015inch/0.38mm
HPC6111-18	0.018inch/0.46mm
HPC6111-20	0.020inch/0.51mm



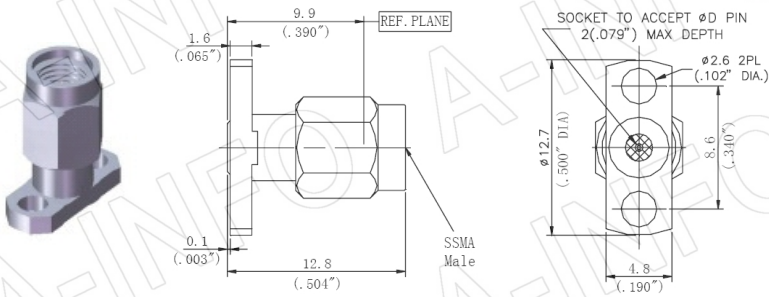
P/N	D
HPC6116-09	0.009inch/0.23mm
HPC6116-12	0.012inch/0.30mm
HPC6116-15	0.015inch/0.38mm
HPC6116-18	0.018inch/0.46mm
HPC6116-20	0.020inch/0.51mm



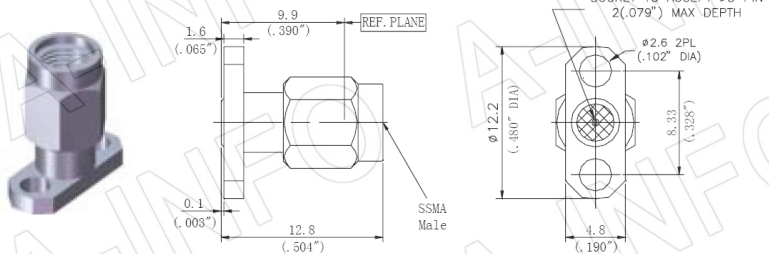
P/N	D
HPC6117-09	0.009inch/0.23mm
HPC6117-12	0.012inch/0.30mm
HPC6117-15	0.015inch/0.38mm
HPC6117-18	0.018inch/0.46mm
HPC6117-20	0.020inch/0.51mm



P/N	D
HPC6118-09	0.009inch/0.23mm
HPC6118-12	0.012inch/0.30mm
HPC6118-15	0.015inch/0.38mm
HPC6118-18	0.018inch/0.46mm
HPC6118-20	0.020inch/0.51mm

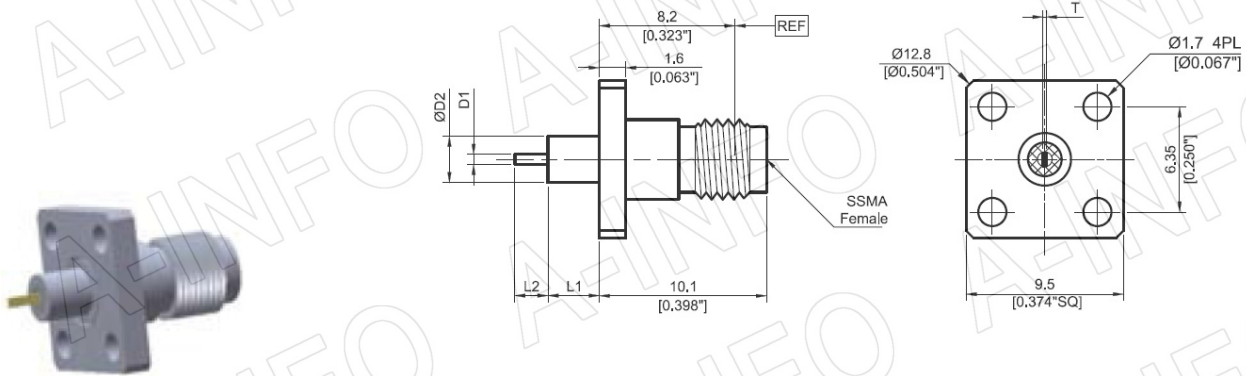


P/N	D
HPC6119-09	0.009inch/0.23mm
HPC6119-12	0.012inch/0.30mm
HPC6119-15	0.015inch/0.38mm
HPC6119-18	0.018inch/0.46mm
HPC6119-20	0.020inch/0.51mm

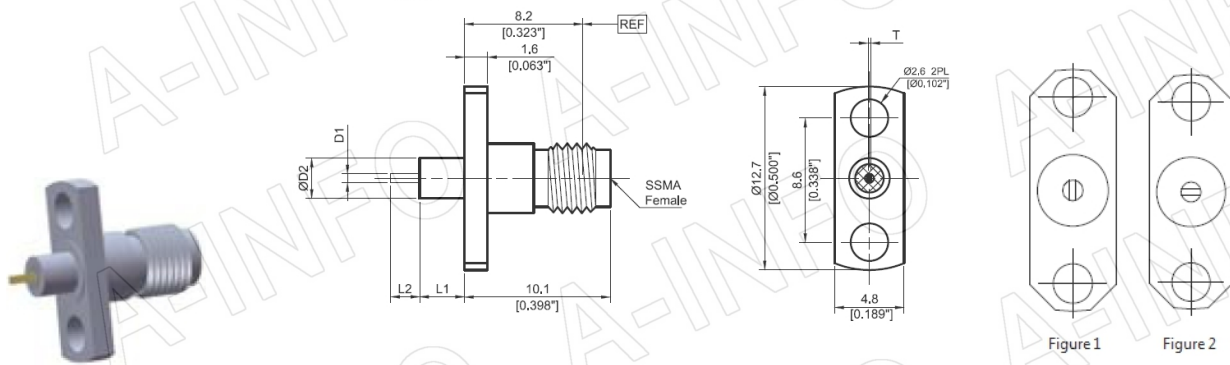


P/N	D
HPC6120-09	0.009inch/0.23mm
HPC6120-12	0.012inch/0.30mm
HPC6120-15	0.015inch/0.38mm
HPC6120-18	0.018inch/0.46mm
HPC6120-20	0.020inch/0.51mm

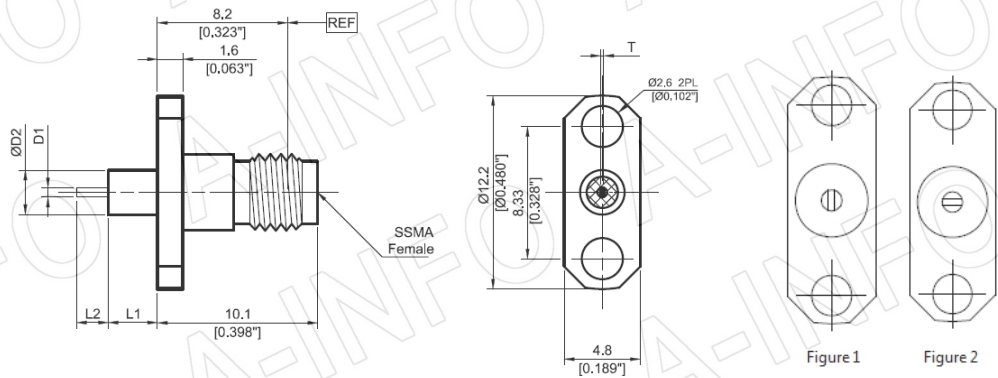
SSMA Series Round Contact Connectors



P/N	D1	D2	L1	L2	T
HPC6210-01	0.6mm/0.024inch	2.8mm/0.11inch	3.1mm/0.122inch	2mm/0.079inch	0.2mm/0.008inch



P/N	D1	D2	L1	L2	T	Fig
HPC6211-01	0.6mm/0.024inch	2.8mm/0.11inch	3.1mm/0.122inch	2mm/0.079inch	0.2mm/0.008	1
HPC6211-02	0.6mm/0.024inch	2.8mm/0.11inch	3.1mm/0.122inch	2mm/0.079inch	0.2mm/0.008	2



P/N	D1	D2	L1	L2	T	Fig
HPC6212-01	0.6mm/0.024inch	2.8mm/0.11inch	3.1mm/0.122inch	2mm/0.079inch	0.2mm/0.008	1
HPC6212-02	0.6mm/0.024inch	2.8mm/0.11inch	3.1mm/0.122inch	2mm/0.079inch	0.2mm/0.008	2

1.85mm Connector Series

Performance Features

Nominal Impedance: 50ohm

Frequency Range: DC-65GHz

VSWR: DC-65GHz.... 1.25:1 max

Durability: 500 cycles

Operating Temperature: -55°C ~ +165°C

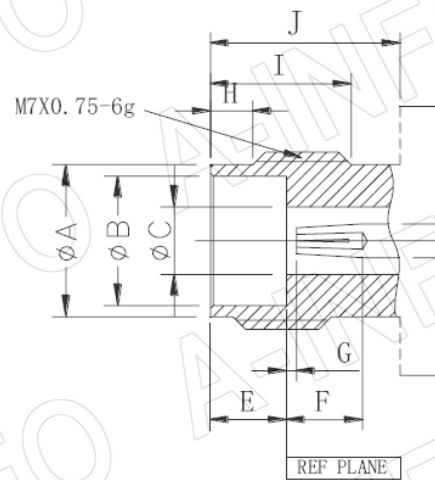
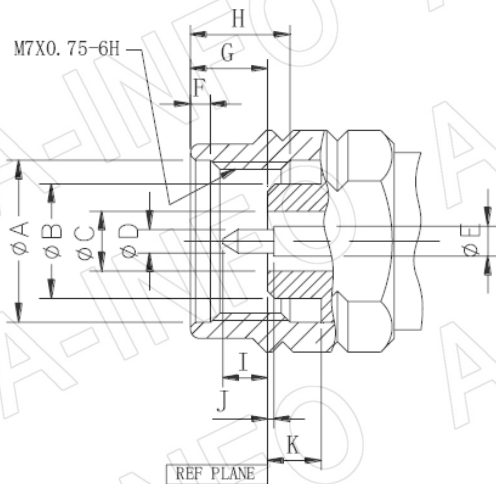
Materials/Finishes

Housing: Type 303 Stainless steel-Polished & Passivated

Center Contact: Beryllium Copper, Plated Gold (MIL-G-45204)

Insulators: PEI

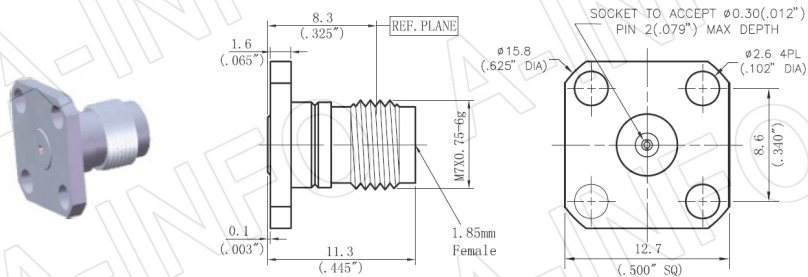
Interfaces: IEC-61169



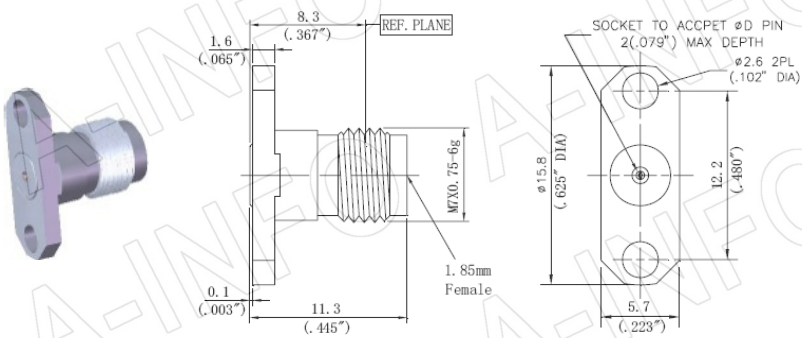
1.85mm Male				
	mm		Inch	
	Min	Max	Min	Max
A	7.01	7.11	0.276	0.280
B	4.72	4.75	0.186	0.187
C	1.84	1.86	0.07233	0.0733
D	0.50	0.52	0.0196	0.0206
E	0.79	0.82	0.0311	0.0321
F	0.51	0.76	0.020	0.030
G	1.85	2.45	0.073	0.096
H	4.37	4.62	0.172	0.182
I	1.35	1.45	0.053	0.057
J	--	0.08	--	0.003
K	3.38	3.48	0.133	0.137

1.85mm Female				
	mm		Inch	
	Min	Max	Min	Max
A	5.79	5.89	0.228	0.232
B	4.77	4.80	0.1878	0.1888
C	1.84	1.86	0.7233	0.07333
D	0.79	0.82	0.0311	0.0321
E	3.00	3.10	0.118	0.122
F	2.64	--	0.104	--
G	--	0.08	--	0.003
H	1.37	1.63	0.054	0.064
I	4.80	5.05	0.189	0.199
J	6	--	0.236	--

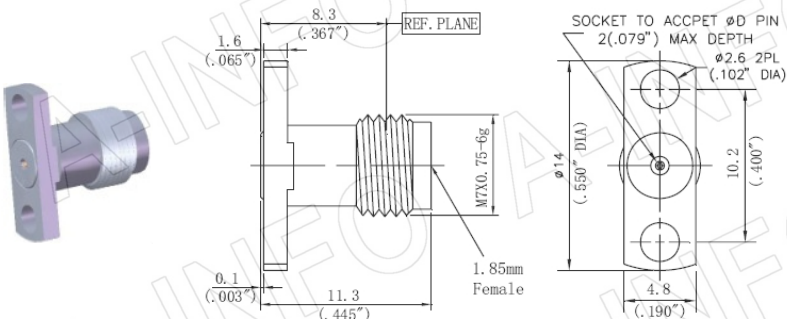
1.85mm Series Field Replaceable Flange Connectors



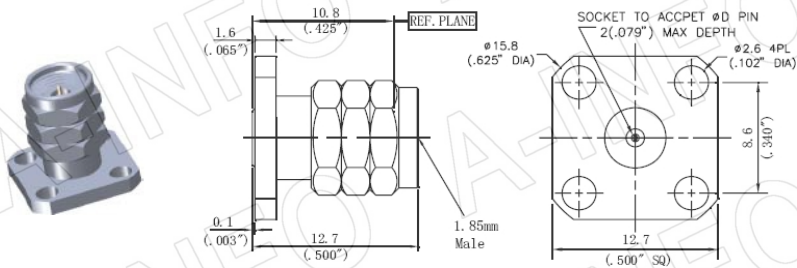
P/N	D
HPC7110-09	0.009inch/0.23mm
HPC7110-12	0.012inch/0.30mm



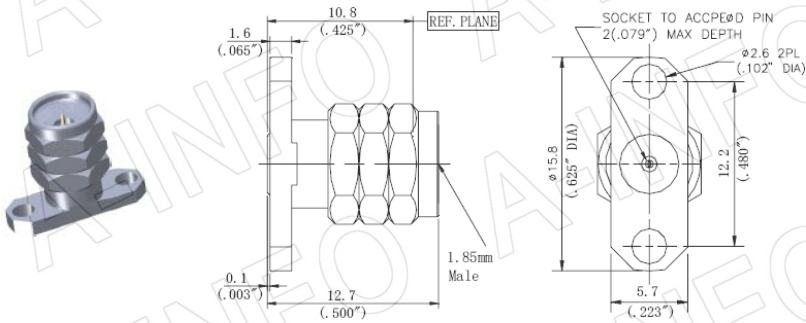
P/N	D
HPC7111-09	0.009inch/0.23mm
HPC7111-12	0.012inch/0.30mm



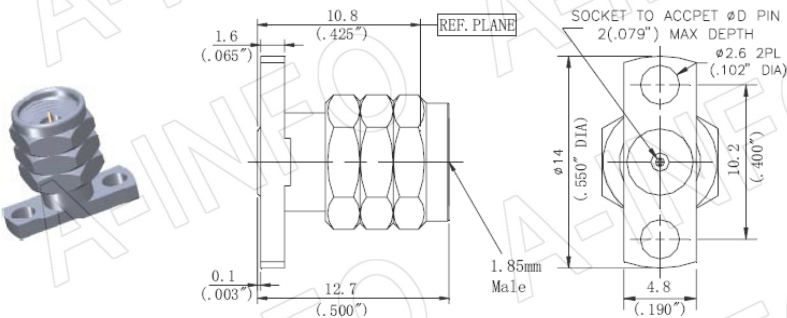
P/N	D
HPC7112-09	0.009inch/0.23mm
HPC7112-12	0.012inch/0.30mm



P/N	D
HPC7113-09	0.009inch/0.23mm
HPC7113-12	0.012inch/0.30mm

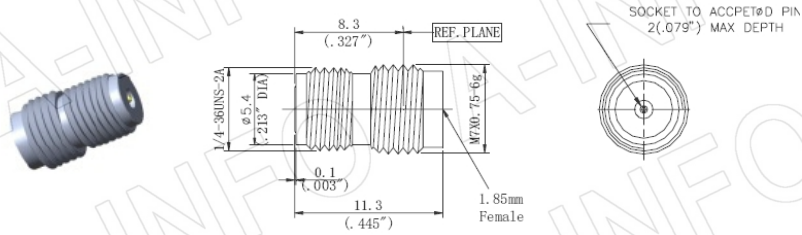


P/N	D
HPC7114-09	0.009inch/0.23mm
HPC7114-12	0.012inch/0.30mm

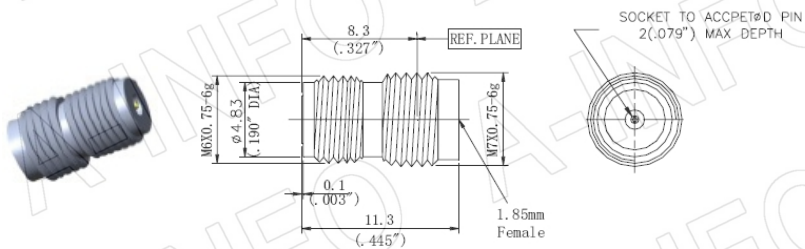


P/N	D
HPC7115-09	0.009inch/0.23mm
HPC7115-12	0.012inch/0.30mm

1.85mm Series Remove Screw Thread Connector



P/N	D
HPC7210-09	0.009inch/0.23mm
HPC7210-12	0.012inch/0.30mm



P/N	D
HPC7211-09	0.009inch/0.23mm
HPC7211-12	0.012inch/0.30mm

RF Coaxial Adapters



N Type In-Series Adapters

Performance Features

Nominal Impedance: 50ohm

Frequency Range: DC-18GHz

Durability: 500cycles

Operating Temperature:-55°C ~ +165°C

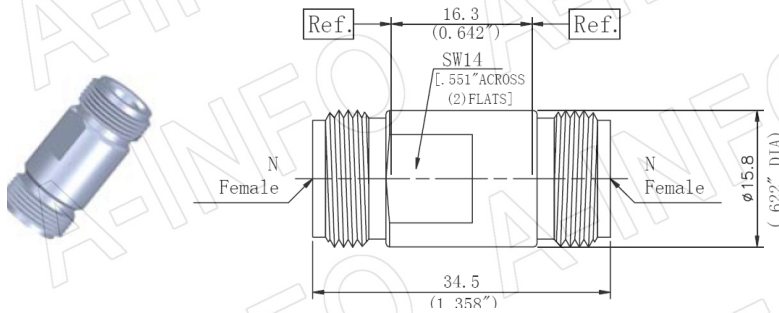
Materials/Finishes

Housing: Type 303 Stainless Steel-Polished & Passivated

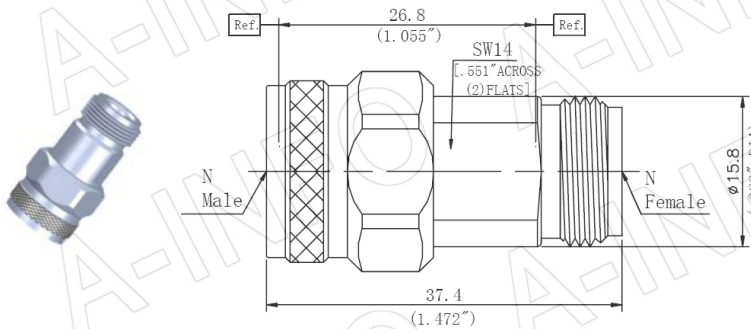
Center Contact: Beryllium Copper Plated Gold (MIL-G-45204)

Insulators: PEI

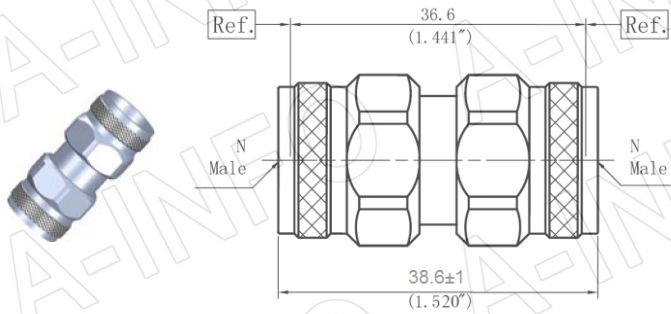
Interfaces: MIL-STD-348A



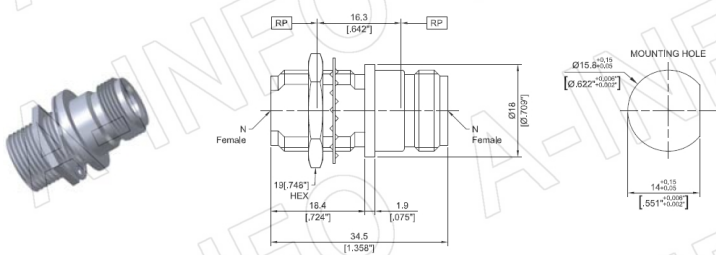
P/N	HPA111-01
Description	N/Female-N/Female
VSWR	DC-18GHz...1.15:1 max



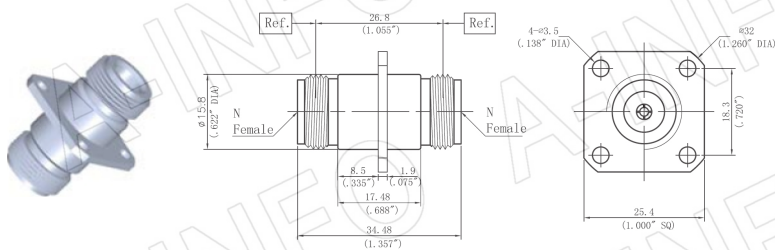
P/N	HPA111-02
Description	N/Male-N/Female
VSWR	DC-18GHz...1.15:1 max



P/N	HPA111-03
Description	N/Male-N/Male
VSWR	DC-18GHz...1.15:1 max



P/N	HPA111-04
Description	N/Female-N/Female
VSWR	DC-18GHz...1.15:1 max



P/N	HPA111-05
Description	N/Female-N/Female
VSWR	DC-18GHz...1.15:1 max

N Type In-Series Right Angle Adapters

Performance Features

Nominal Impedance: 50ohm

Frequency Range: DC-18GHz

Durability: 500cycles

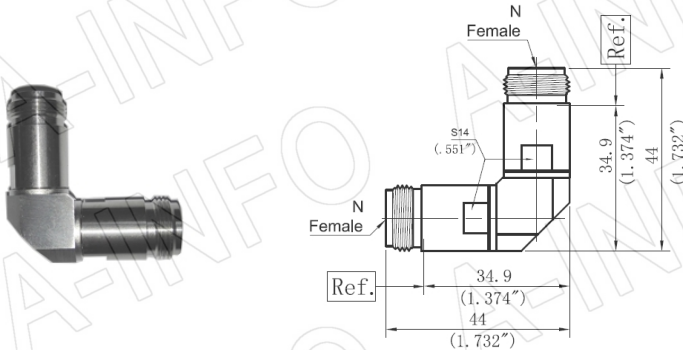
Operating Temperature:-55°C ~ +165°C

Materials/Finishes

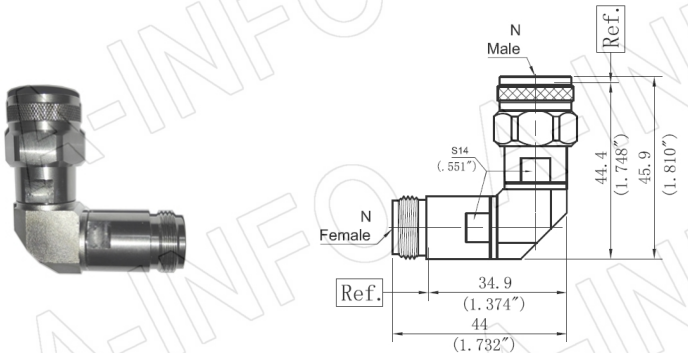
Housing: Type 303 Stainless Steel-Polished & Passivated

Center Contact: Beryllium Copper Plated Gold (MIL-G-45204)

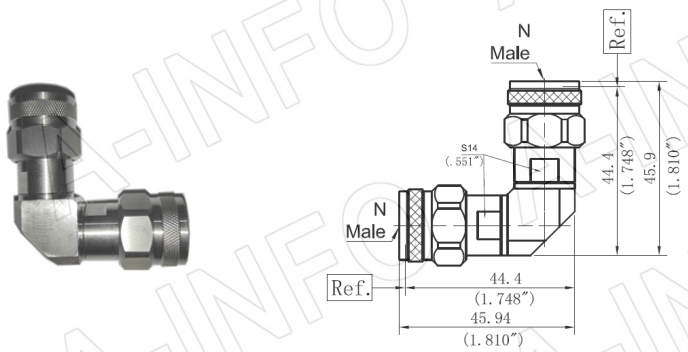
Insulators: PEI



P/N	HPA111-W01
Description	N/Female-N/Female
VSWR	DC-18GHz...1.25:1 max



P/N	HPA111-W02
Description	N/Male-N/Female
VSWR	DC-18GHz...1.25:1 max



P/N	HPA111-W03
Description	N/Male-N/Male
VSWR	DC-18GHz...1.25:1 max

SMA In-Series Adapters

Performance Features

Nominal Impedance: 50ohm

Frequency Range: DC-27GHz

Durability: 500cycles

Operating Temperature: -55°C ~ +165°C

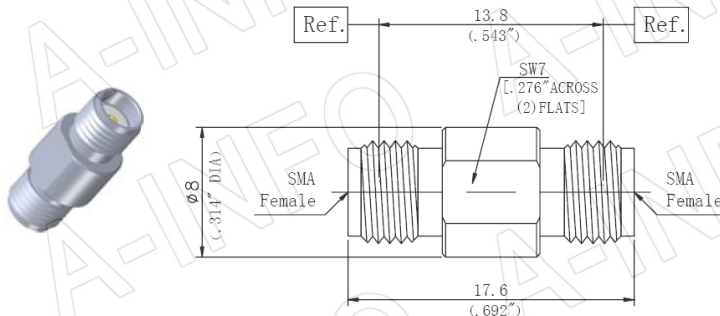
Materials/Finishes

Housing: Type 303 Stainless Steel- Polished & Passivated

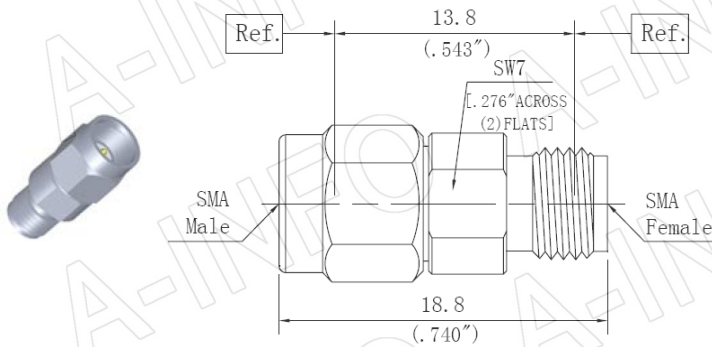
Center Contact: Beryllium Copper Plated Gold (MIL-G-45204)

Insulators: PEI & PTFE

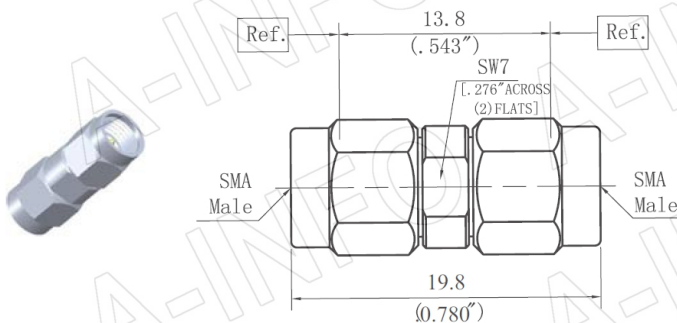
Interfaces: MIL-STD-348A



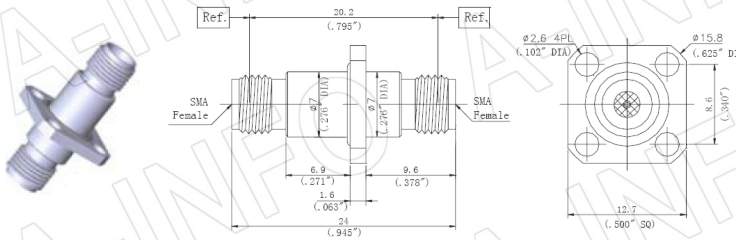
P/N	HPA112-01
Description	SMA/Female-SMA/Female
VSWR	DC-27GHz...1.15:1 max



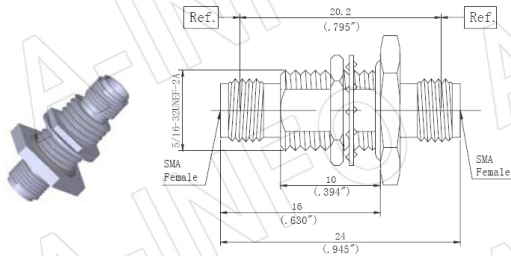
P/N	HPA112-02
Description	SMA/Male-SMA/Female
VSWR	DC-27GHz...1.15:1 max



P/N	HPA112-03
Description	SMA/Male-SMA/Male
VSWR	DC-27GHz...1.15:1 max



P/N	HPA112-04
Description	SMA/Female-SMA/Female
VSWR	DC-27GHz...1.15:1 max



P/N	HPA112-05
Description	SMA/Female-SMA/Female
VSWR	DC-27GHz...1.15:1 max

SMA In-Series Right Angle Adapters

Performance Features

Nominal Impedance: 50ohm

Frequency Range: DC-26.5GHz

Durability: 500cycles

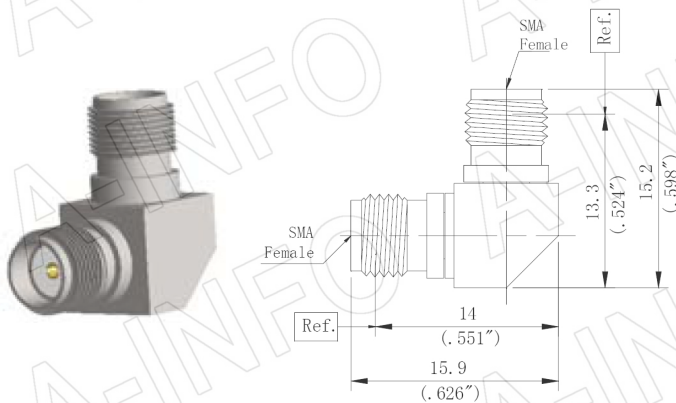
Operating Temperature: -55°C ~ +165°C

Materials/Finishes

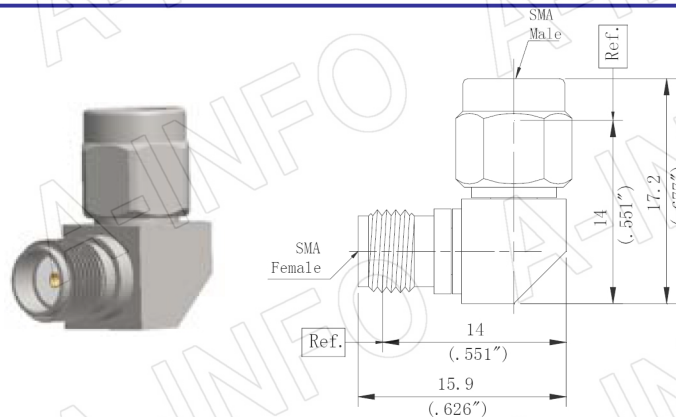
Housing: Type 303 Stainless Steel- Polished & Passivated

Center Contact: Beryllium Copper Plated Gold

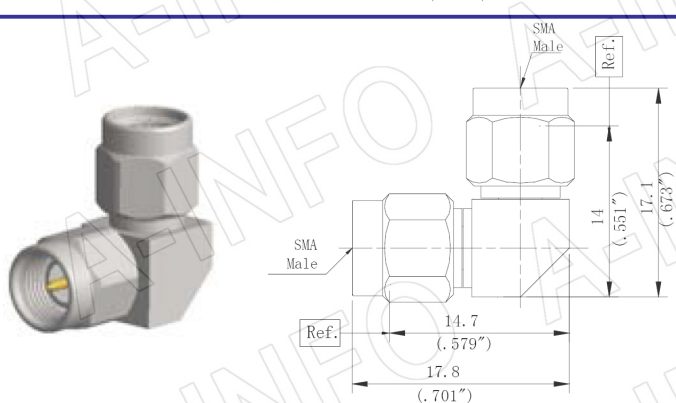
Insulators: PTFE



P/N	HPA112-W01
Description	SMA/Female-SMA/Female
VSWR	DC-26.5GHz...1.25:1 max



P/N	HPA112-W02
Description	SMA/Male-SMA/Female
VSWR	DC-26.5GHz...1.25:1 max



P/N	HPA112-W03
Description	SMA/Male-SMA/Male
VSWR	DC-26.5GHz...1.25:1 max

3.5mm In-Series Adapters

Performance Features

Nominal Impedance: 50ohm

Frequency Range: DC-33GHz

Durability: 500cycles

Operating Temperature: -55°C ~ +165°C

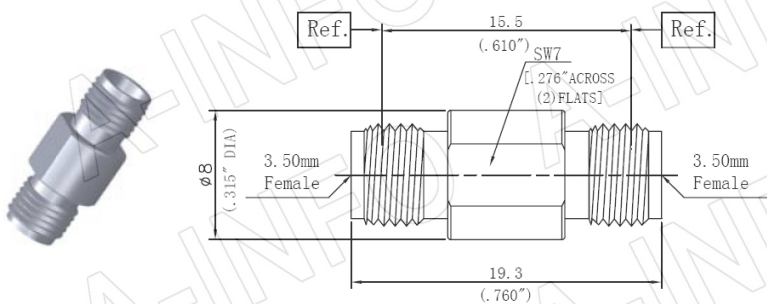
Materials/Finishes

Housing: Type 303 Stainless Steel – Polished & Passivated

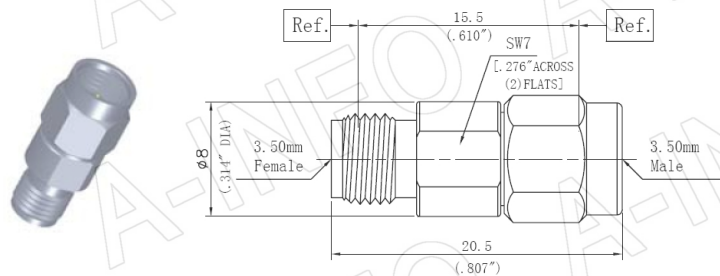
Center Contact: Beryllium Copper Plated Gold (MIL-G-45204)

Insulators: PEI

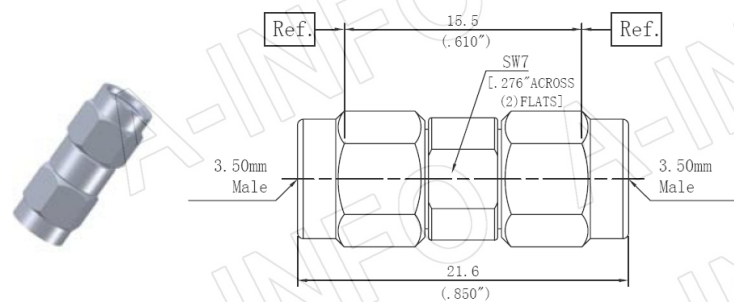
Interfaces: IEC-60169



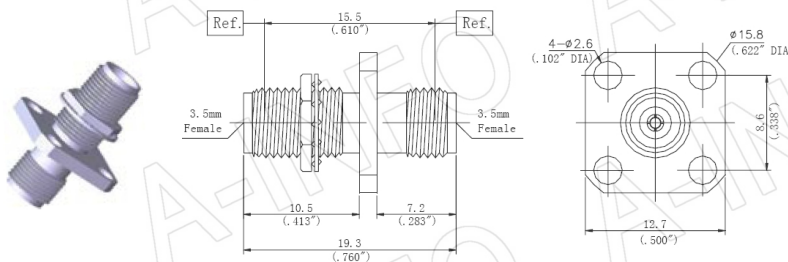
P/N	HPA113-01
Description	3.5mm/Female-3.5mm/Female
VSWR	DC-33GHz...1.15:1 max



P/N	HPA113-02
Description	3.5mm/Female-3.5mm/Male
VSWR	DC-33GHz...1.15:1 max



P/N	HPA113-03
Description	3.5mm/Male-3.5mm/Male
VSWR	DC-33GHz...1.15:1 max



P/N	HPA113-04
Description	3.5mm/Female-3.5mm/Female
VSWR	DC-33GHz...1.15:1 max

3.5mm In-Series Right Angle Adapters

Performance Features

Nominal Impedance: 50ohm

Frequency Range: DC-33GHz

Durability: 500cycles

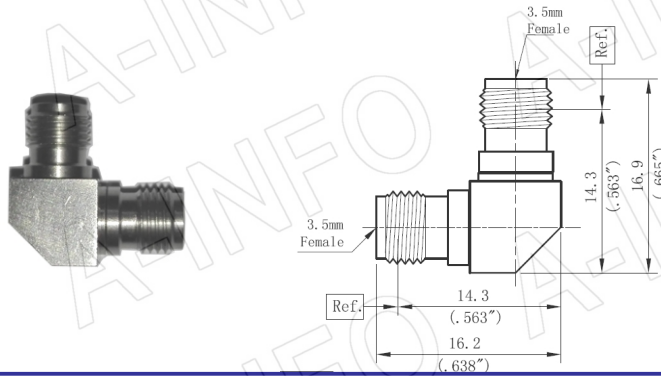
Operating Temperature: -55°C ~ +165°C

Materials/Finishes

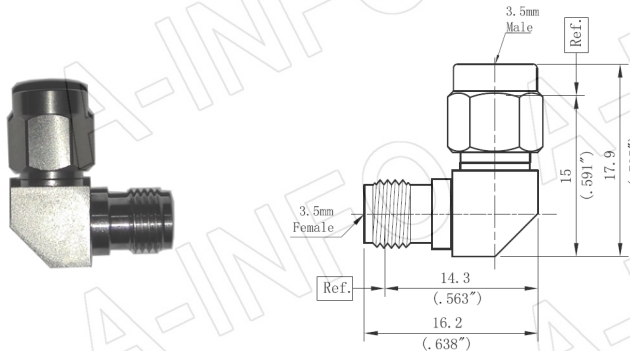
Housing: Type 303 Stainless Steel – Polished & Passivated

Center Contact: Beryllium Copper Plated Gold
(MIL-G-45204)

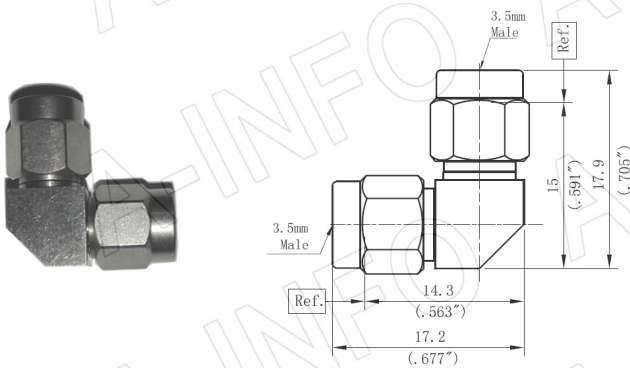
Insulators: PEI



P/N	HPA113-W01
Description	3.5mm/Female-3.5mm/Female
VSWR	DC-33GHz...1.25:1 max



P/N	HPA113-W02
Description	3.5mm/Male-3.5mm/Female
VSWR	DC-33GHz...1.25:1 max



P/N	HPA113-W03
Description	3.5mm/Male-3.5mm/Male
VSWR	DC-33GHz...1.25:1 max

2.92mm In-Series Adapters

Performance Features

Nominal Impedance: 50ohm

Frequency Range: DC-40GHz

Durability: 500 cycles

Operating Temperature: -55°C ~ +165°C

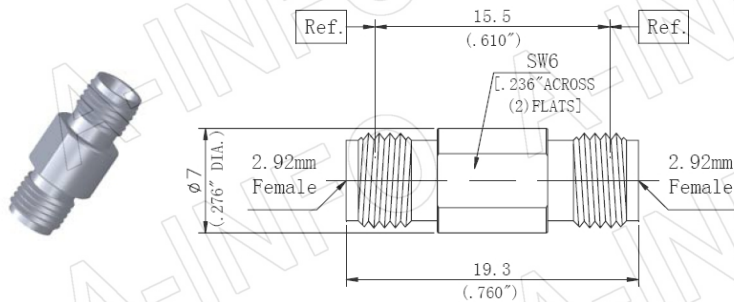
Materials/Finishes

Housing: Type 303 Stainless Steel- Polished & Passivated

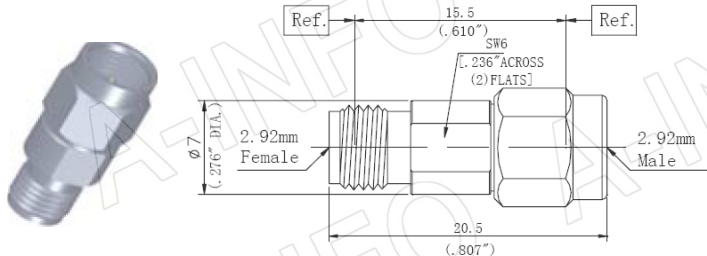
Center Contact: Beryllium Copper Plated Gold (MIL-G-45204)

Insulators: PEI

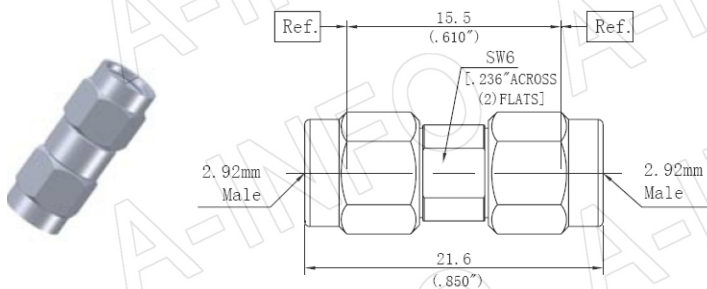
Interfaces: MIL-STD-348A



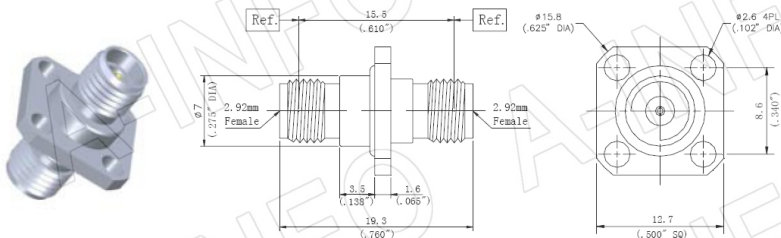
P/N	HPA114-01
Description	2.92mm/Female-2.92mm/Female
VSWR	DC-40GHz...1.20:1 max



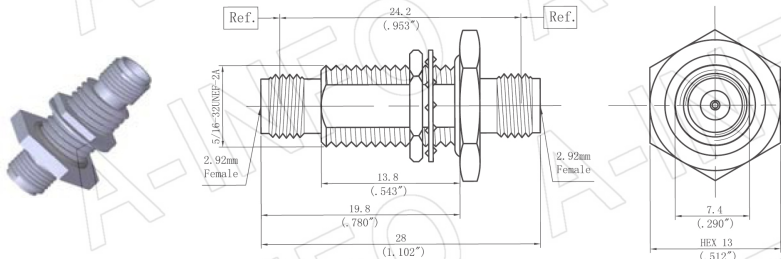
P/N	HPA114-02
Description	2.92mm/Male-2.92mm/Female
VSWR	DC-40GHz...1.15:1 max



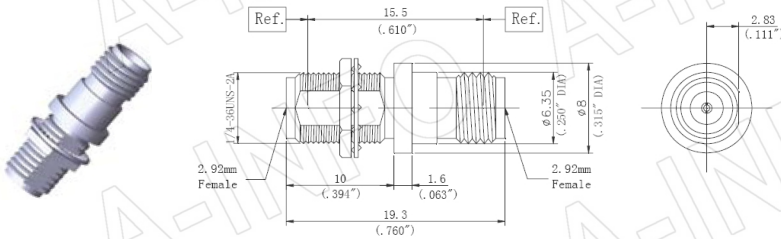
P/N	HPA114-03
Description	2.92mm/Male-2.92mm/Male
VSWR	DC-40GHz...1.15:1 max



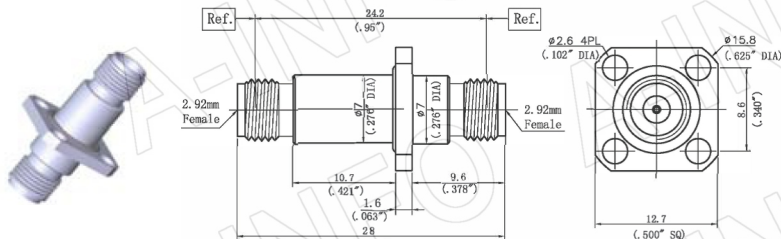
P/N	HPA114-04
Description	2.92mm/Female-2.92mm/Female
VSWR	DC-40GHz...1.20:1 max



P/N	HPA114-05
Description	2.92mm/Female-2.92mm/Female
VSWR	DC-40GHz...1.20:1 max



P/N	HPA114-06
Description	2.92mm/Female-2.92mm/Female
VSWR	DC-40GHz...1.20:1 max



P/N	HPA114-07
Description	2.92mm/Female-2.92mm/Female
VSWR	DC-40GHz...1.20:1 max

2.92mm In-Series Right Angle Adapters

Performance Features

Nominal Impedance: 50ohm

Frequency Range: DC-40GHz

Durability: 500 cycles

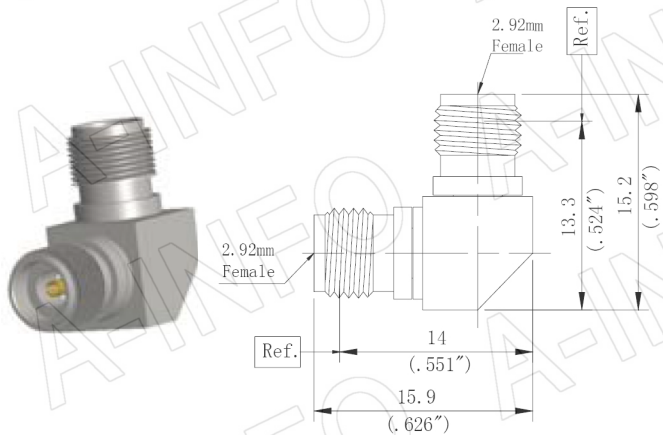
Operating Temperature: -55°C ~ +165°C

Materials/Finishes

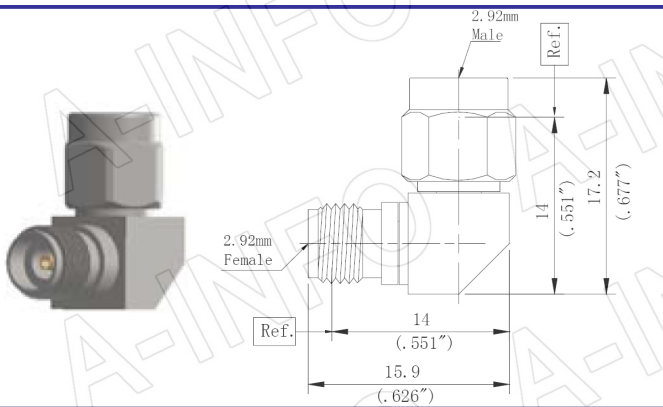
Housing: Type 303 Stainless Steel- Polished & Passivated

Center Contact: Beryllium Copper Plated Gold

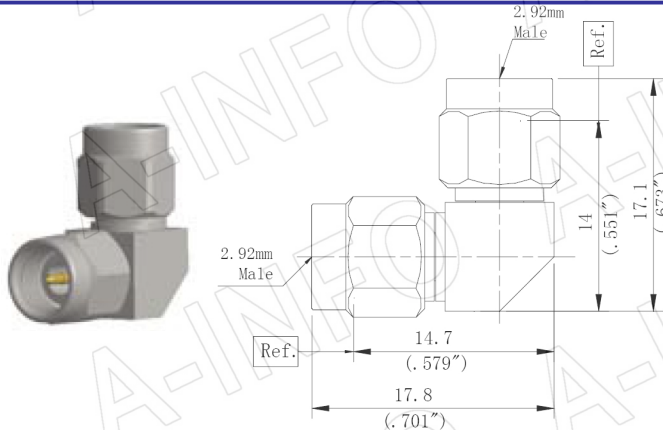
Insulators: PEI



P/N	HPA114-W01
Description	2.92mm/Female-2.92mm/Female
VSWR	DC-40GHz...1.25:1 max



P/N	HPA114-W02
Description	2.92mm/Male-2.92mm/Female
VSWR	DC-40GHz...1.25:1 max



P/N	HPA114-W03
Description	2.92mm/Male-2.92mm/Male
VSWR	DC-40GHz...1.25:1 max

2.4mm In-Series Adapters

Performance Features

Nominal Impedance: 50ohm

Frequency Range: DC-50GHz

Durability: 500cycles

Operating Temperature: -55°C ~ +165°C

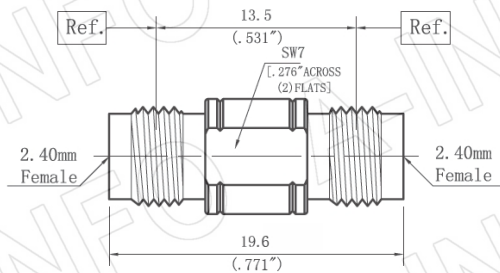
Materials/Finishes

Housing: Type 303 Stainless Steel – Polished & Passivated

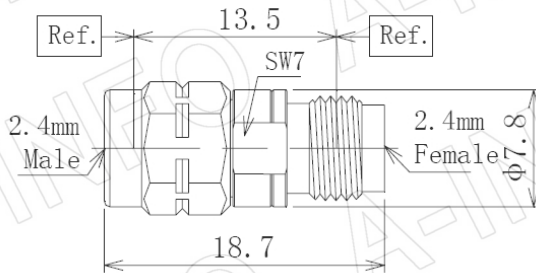
Center Contact: Beryllium Copper Plated Gold (MIL-G-45204)

Insulators: PEI

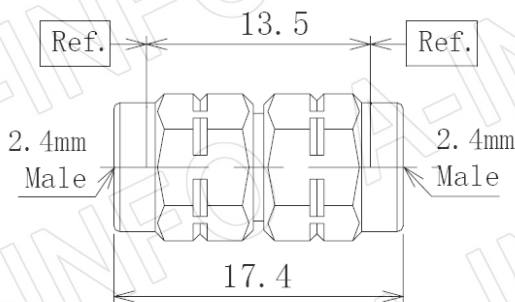
Interfaces: IEEE STD 287-2007



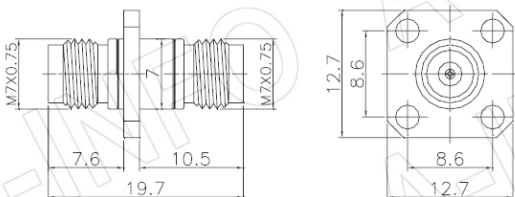
P/N	HPA115-01
Description	2.4mm/Female-2.4mm/Female
VSWR	DC-50GHz...1.20:1 max



P/N	HPA115-02
Description	2.4mm/Male-2.4mm/Female
VSWR	DC-50GHz...1.15:1 max



P/N	HPA115-03
Description	2.4mm/Male-2.4mm/Male
VSWR	DC-50GHz...1.15:1 max



P/N	HPA115-04
Description	2.4mm/Female-2.4mm/Female
VSWR	DC-50GHz...1.20:1 max

TNC In-Series Adapters

Performance Features

Nominal Impedance: 50ohm

Frequency Range: DC-11GHz

Durability: 500cycles

Operating Temperature: -55°C ~ +165°C

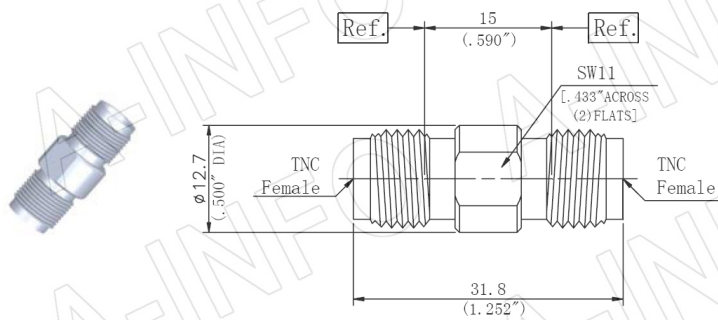
Materials/Finishes

Housing: Type 303 Stainless Steel – Polished & Passivated

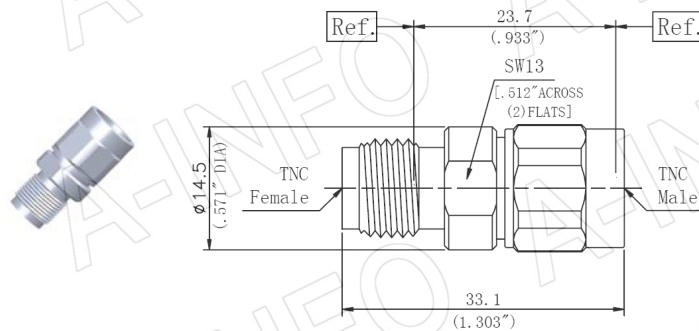
Center Contact: Beryllium Copper Plated Gold
(MIL-G-45204)

Insulators: PEI & PTFE

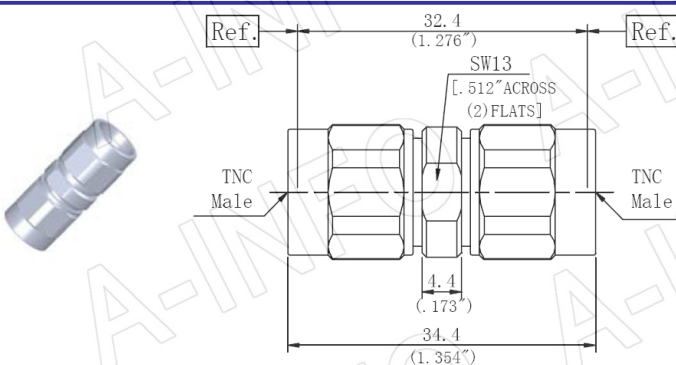
Interfaces: MIL-STD-348A



P/N	HPA116-01
Description	TNC/Female-TNC/Female
VSWR	DC-11GHz...1.15:1 max



P/N	HPA116-02
Description	TNC/Male-TNC/Female
VSWR	DC-11GHz...1.15:1 max



P/N	HPA116-03
Description	TNC/Male-TNC/Male
VSWR	DC-11GHz...1.15:1 max

TNCA In-Series Adapters

Performance Features

Nominal Impedance: 50ohm

Frequency Range: DC-18GHz

Durability: 500cycles

Operating Temperature: -55°C ~ +165°C

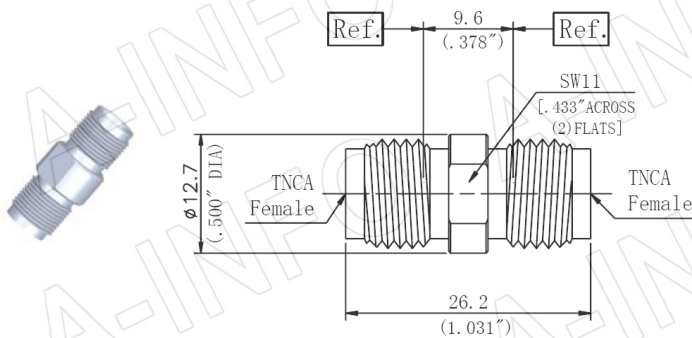
Materials/Finishes

Housing: Type 303 Stainless Steel – Polished & Passivated

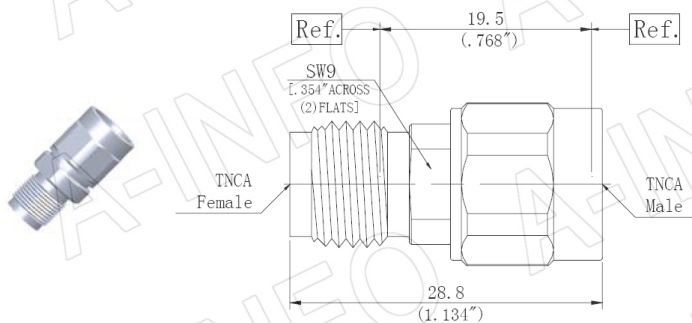
Center Contact: Beryllium Copper Plated Gold
(MIL-G-45204)

Insulators: PEI & PTFE

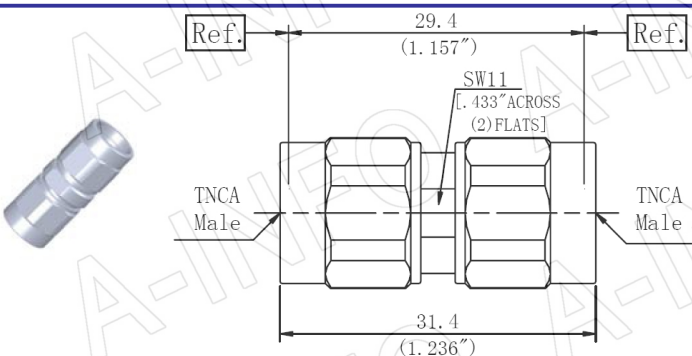
Interfaces: MIL-STD-348A



P/N	HPA117-01
Description	TNCA/Female-TNCA/Female
VSWR	DC-18GHz...1.15:1 max



P/N	HPA117-02
Description	TNCA/Male-TNCA/Female
VSWR	DC-18GHz...1.15:1 max



P/N	HPA117-03
Description	TNCA/Male-TNCA/Male
VSWR	DC-18GHz...1.15:1 max

1.85mm In-Series Adapters

Performance Features

Nominal Impedance: 50ohm

Frequency Range: DC-65GHz

Durability: 500cycles

Operating Temperature: -55°C ~ +165°C

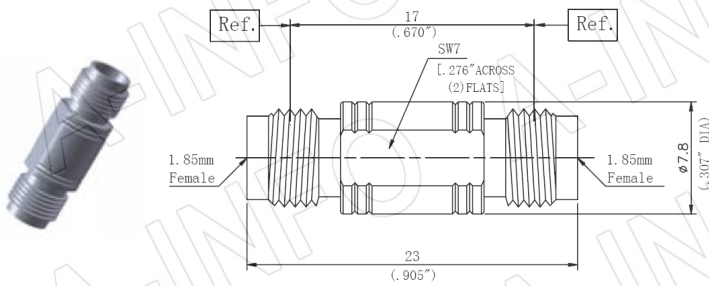
Materials/Finishes

Housing: Type 303 Stainless Steel – Polished & Passivated

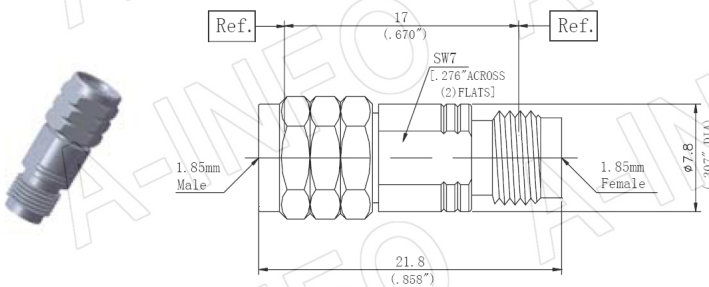
Center Contact: Beryllium Copper Plated Gold
(MIL-G-45204)

Insulators: PEI

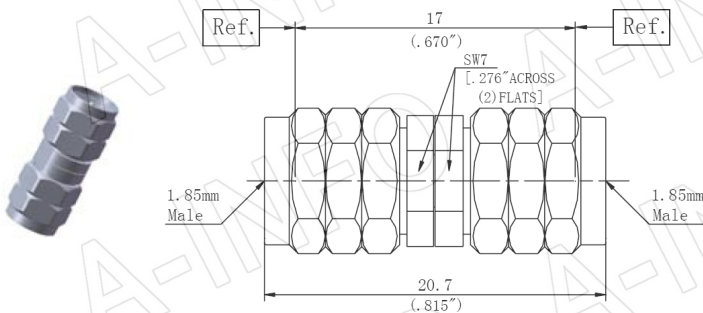
Interfaces: IEC-61169



P/N	HPA118-01
Description	1.85mm/Female-1.85mm/Female
VSWR	DC-65GHz...1.25:1 max



P/N	HPA118-02
Description	1.85mm/Male-1.85mm/Female
VSWR	DC-65GHz...1.25:1 max



P/N	HPA118-03
Description	1.85mm/Male-1.85mm/Male
VSWR	DC-65GHz...1.25:1 max

N-3.5mm Between Series Adapters

Performance Features

Nominal Impedance: 50ohm

Frequency Range: DC-18GHz

Durability: 500cycles

Operating Temperature: -55°C ~ +165°C

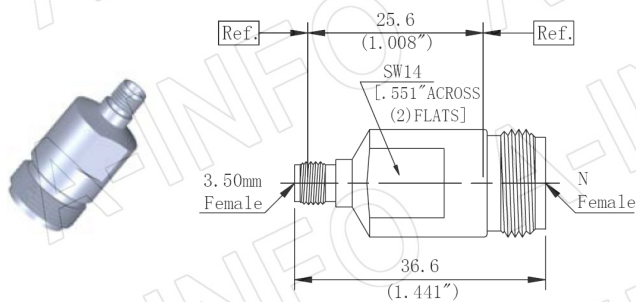
Materials/Finishes

Housing: Type 303 Stainless Steel – Polished & Passivated

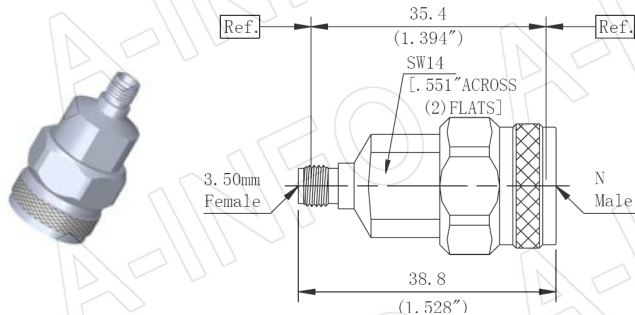
Center Contact: Beryllium Copper Plated Gold (MIL-G-45204)

Insulators: PEI

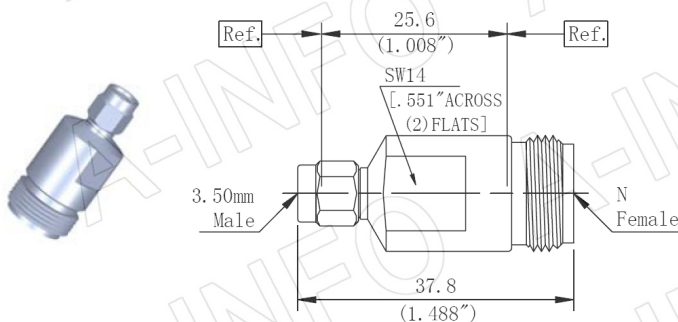
N Interfaces: MIL-STD-348A 3.5mm Interfaces: IEC-60169



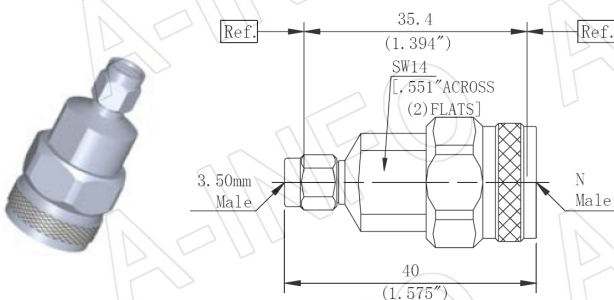
P/N	HPA121-01
Description	N/Female-3.5mm/Female
VSWR	DC-18GHz...1.15:1 max



P/N	HPA121-02
Description	N/Male-3.5mm/Female
VSWR	DC-18GHz...1.15:1 max



P/N	HPA121-03
Description	N/Female-3.5mm/Male
VSWR	DC-18GHz...1.15:1 max



P/N	HPA121-04
Description	N/Male-3.5mm/Male
VSWR	DC-18GHz...1.15:1 max

N-2.92mm Between Series Adapters

Performance Features

Nominal Impedance: 50ohm

Frequency Range: DC-18GHz

Durability: 500cycles

Operating Temperature: -55°C ~ +165°C

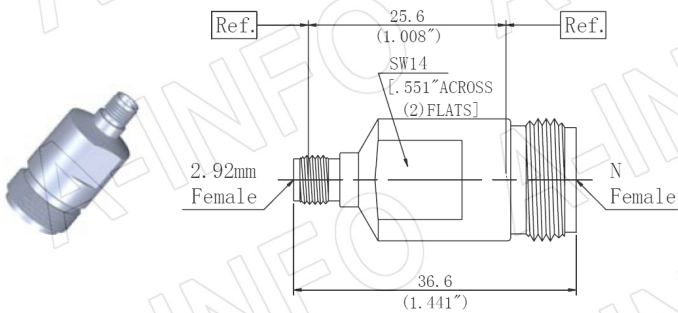
Materials/Finishes

Housing: Type 303 Stainless Steel – Polished & Passivated

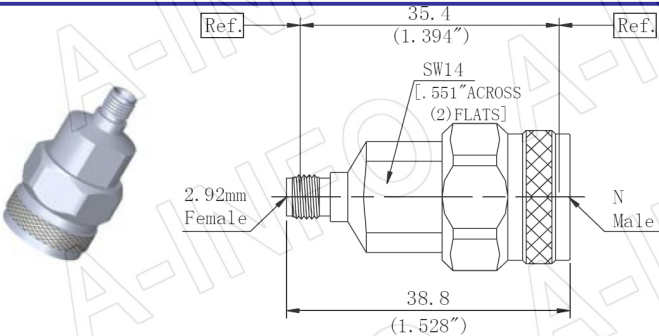
Center Contact: Beryllium Copper Plated Gold (MIL-G-45204)

Insulators: PEI

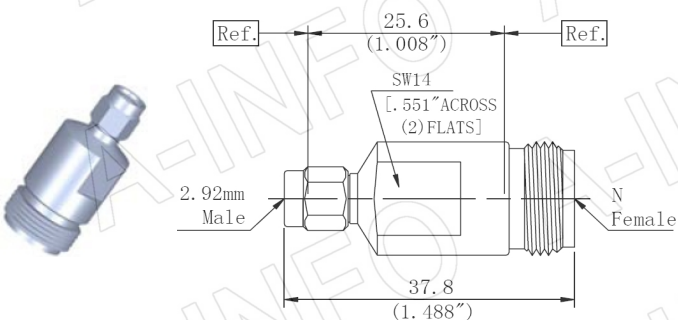
N/2.92mm Interfaces: MIL-STD-348A



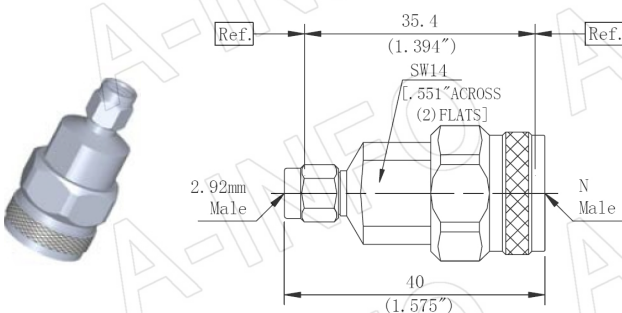
P/N	HPA122-01
Description	N/Female-2.92mm/Female
VSWR	DC-18GHz...1.15:1 max



P/N	HPA122-02
Description	N/Male-2.92mm/Female
VSWR	DC-18GHz...1.15:1 max



P/N	HPA122-03
Description	N/Female-2.92mm/Male
VSWR	DC-18GHz...1.15:1 max



P/N	HPA122-04
Description	N/Male-2.92mm/Male
VSWR	DC-18GHz...1.15:1 max

N-2.4mm Between Series Adapters

Performance Features

Nominal Impedance: 50ohm

Frequency Range: DC-18GHz

Durability: 500cycles

Operating Temperature: -55°C ~ +165°C

Materials/Finishes

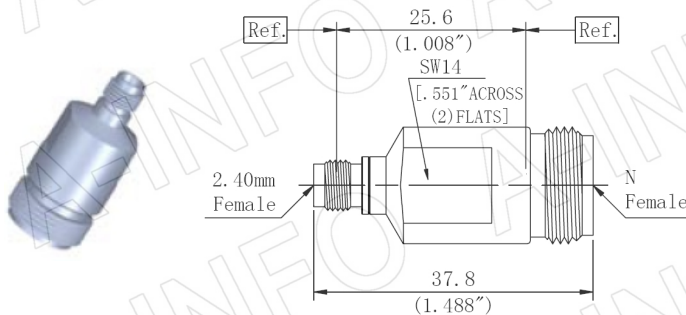
Housing: Type 303 Stainless Steel – Polished & Passivated

Center Contact: Beryllium Copper Plated Gold (MIL-G-45204)

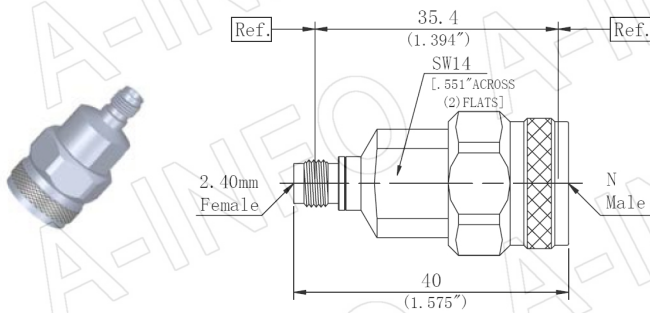
Insulators: PEI

N Interfaces: MIL-STD-348A

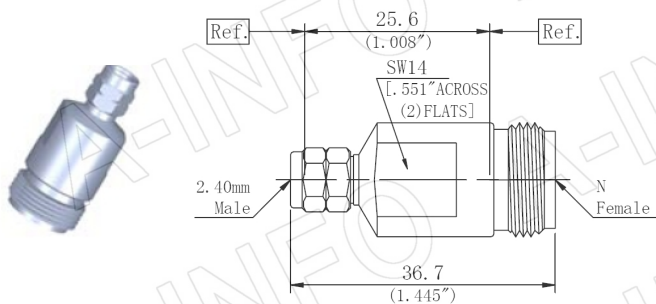
2.4mm Interfaces: STD 287-2007



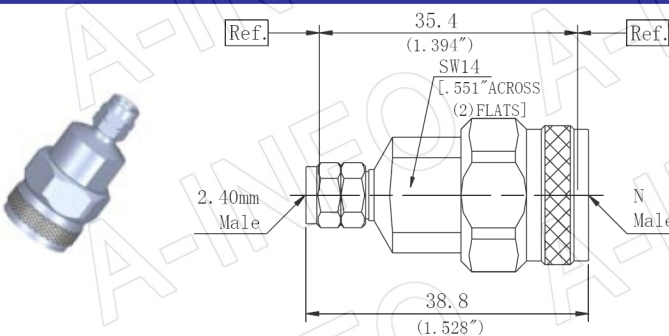
P/N	HPA123-01
Description	N/Female-2.4mm/Female
VSWR	DC-18GHz...1.15:1 max



P/N	HPA123-02
Description	N/Male-2.4mm/Female
VSWR	DC-18GHz...1.15:1 max



P/N	HPA123-03
Description	N/Female-2.4mm/Male
VSWR	DC-18GHz...1.15:1 max



P/N	HPA123-04
Description	N/Male-2.4mm/Male
VSWR	DC-18GHz...1.15:1 max

N-TNC Between Series Adapters

Performance Features

Nominal Impedance: 50ohm

Frequency Range: DC-11GHz

Durability: 500cycles

Operating Temperature: -55°C ~ +165°C

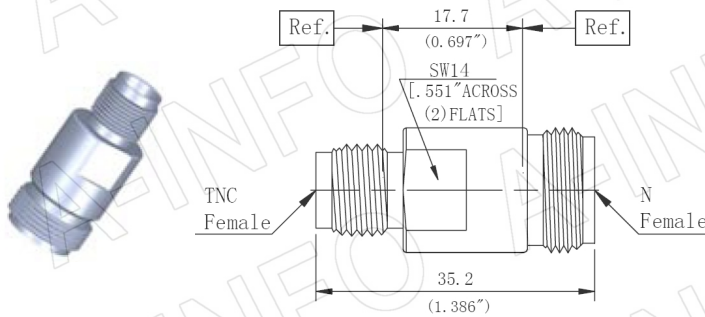
Materials/Finishes

Housing: Type 303 Stainless Steel – Polished & Passivated

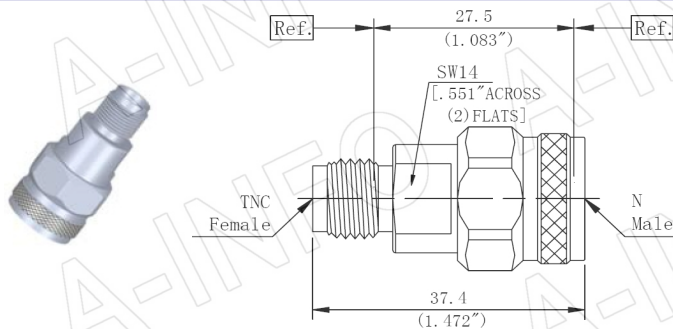
Center Contact: Beryllium Copper Plated Gold (MIL-G-45204)

Insulators: PEI

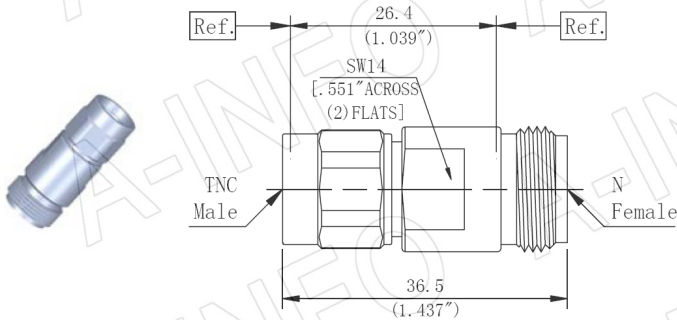
N/TNC Interfaces: MIL-STD-348A



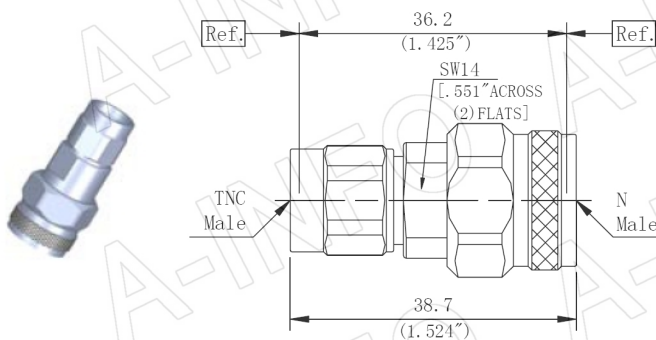
P/N	HPA124-01
Description	N/Female-TNC/Female
VSWR	DC-11GHz...1.15:1 max



P/N	HPA124-02
Description	N/Male-TNC/Female
VSWR	DC-11GHz...1.15:1 max



P/N	HPA124-03
Description	N/Female-TNC/Male
VSWR	DC-11GHz...1.15:1 max



P/N	HPA124-04
Description	N/Male-TNC/Male
VSWR	DC-11GHz...1.15:1 max

N-SMA Between Series Adapters

Performance Features

Nominal Impedance: 50ohm

Frequency Range: DC-18GHz

Durability: 500cycles

Operating Temperature: -55°C ~ +165°C

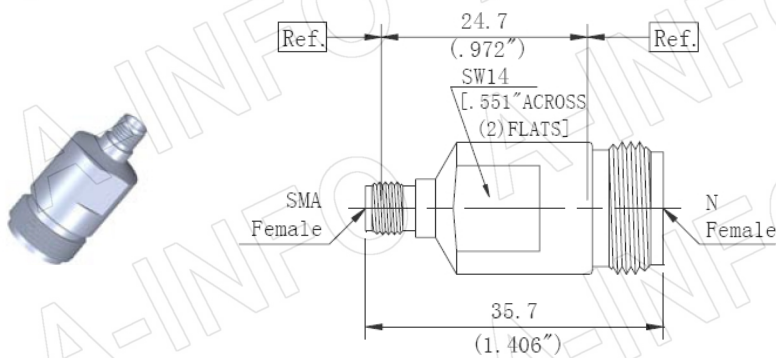
Materials/Finishes

Housing: Type 303 Stainless Steel – Polished & Passivated

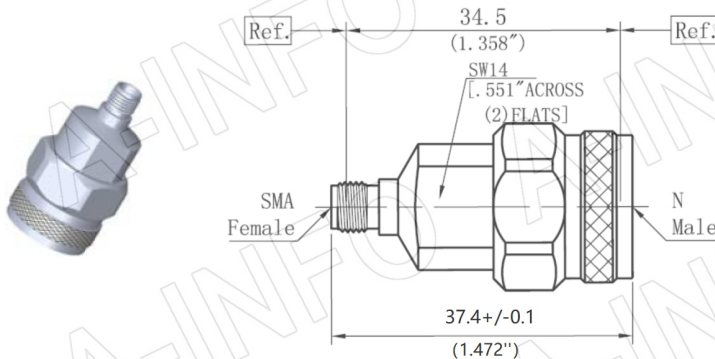
Center Contact: Beryllium Copper Plated Gold (MIL-G-45204)

Insulators: PEI & PTFE

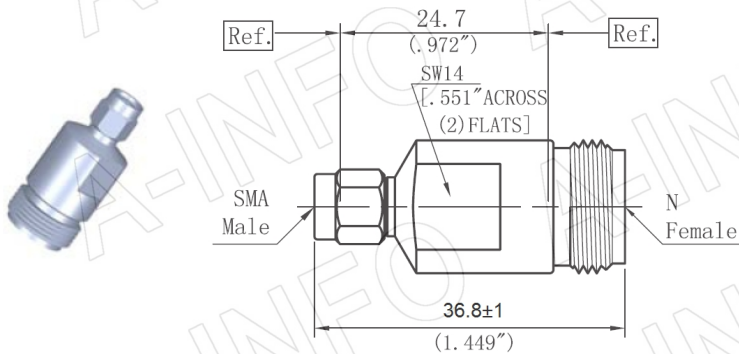
N/SMA Interfaces: MIL-STD-348A



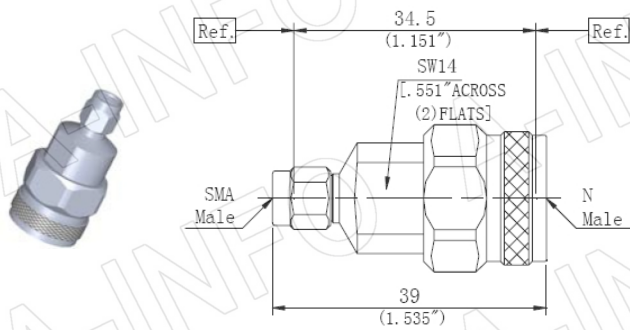
P/N	HPA125-01
Description	N/Female-SMA/Female
VSWR	DC-18GHz...1.15:1 max



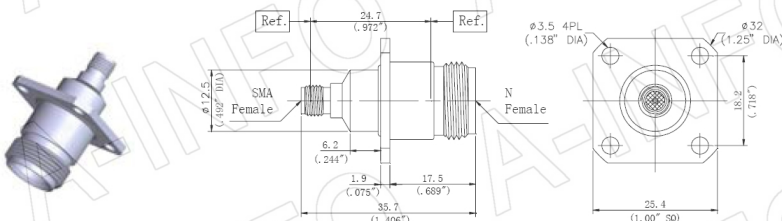
P/N	HPA125-02
Description	N/Male-SMA/Female
VSWR	DC-18GHz...1.15:1 max



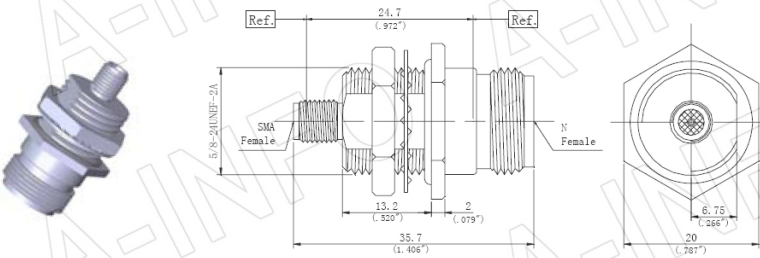
P/N	HPA125-03
Description	N/Female-SMA/Male
VSWR	DC-18GHz...1.15:1 max



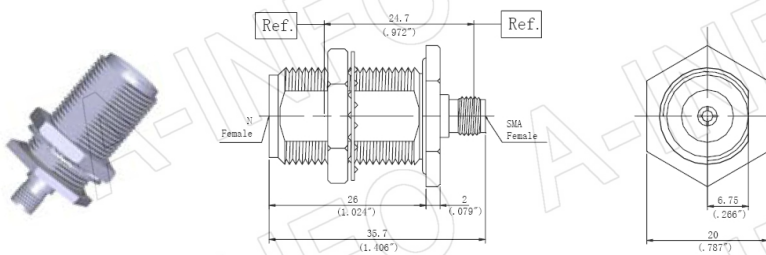
P/N	HPA125-04
Description	N/Male-SMA/Male
VSWR	DC-18GHz...1.15:1 max



P/N	HPA125-05
Description	N/Female-SMA/Female
VSWR	DC-18GHz...1.15:1 max



P/N	HPA125-06
Description	N/Female-SMA/Female
VSWR	DC-18GHz...1.15:1 max



P/N	HPA125-07
Description	N/Female-SMA/Female
VSWR	DC-18GHz...1.15:1 max

N-TNCA Between Series Adapters

Performance Features

Nominal Impedance: 50ohm

Frequency Range: DC-18GHz

Durability: 500cycles

Operating Temperature: -55°C ~ +165°C

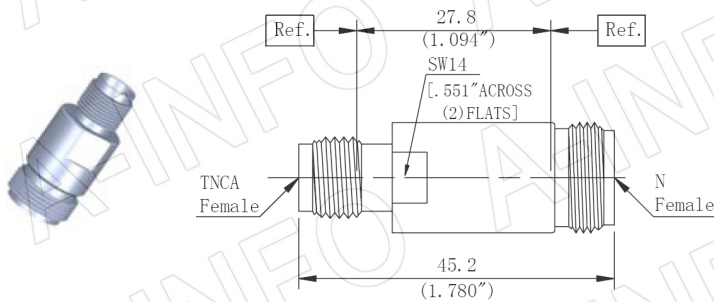
Materials/Finishes

Housing: Type 303 Stainless Steel – Polished & Passivated

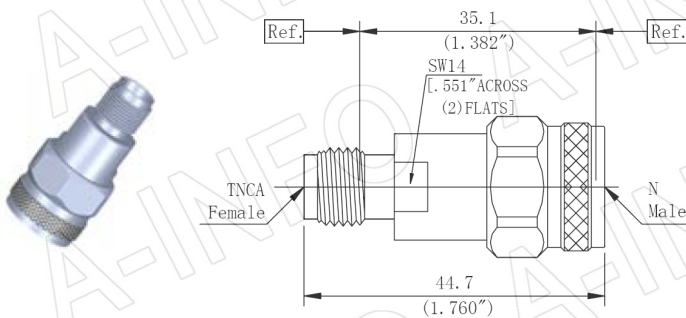
Center Contact: Beryllium Copper Plated Gold (MIL-G-45204)

Insulators: PEI

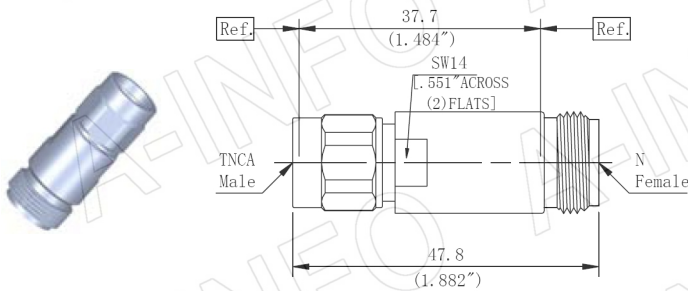
N/TNCA Interfaces: MIL-STD-348A



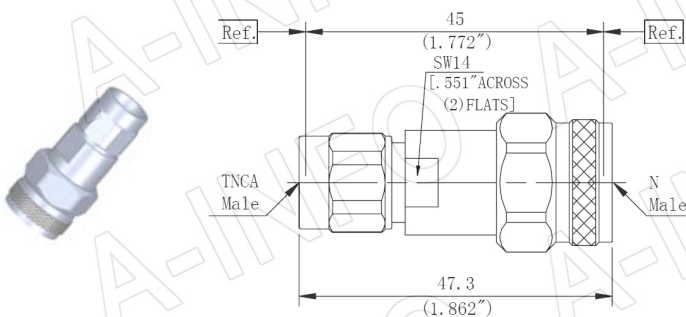
P/N	HPA126-01
Description	N/Female-TNCA/Female
VSWR	DC-18GHz...1.15:1 max



P/N	HPA126-02
Description	N/Male-TNCA/Female
VSWR	DC-18GHz...1.15:1 max



P/N	HPA126-03
Description	N/Female-TNCA/Male
VSWR	DC-18GHz...1.15:1 max



P/N	HPA126-04
Description	N/Male-TNCA/Male
VSWR	DC-18GHz...1.15:1 max

3.5mm-2.92mm Between Series Adapters

Performance Features

Nominal Impedance: 50ohm

Frequency Range: DC-33GHz

Durability: 500cycles

Operating Temperature: -55°C ~ +165°C

Materials/Finishes

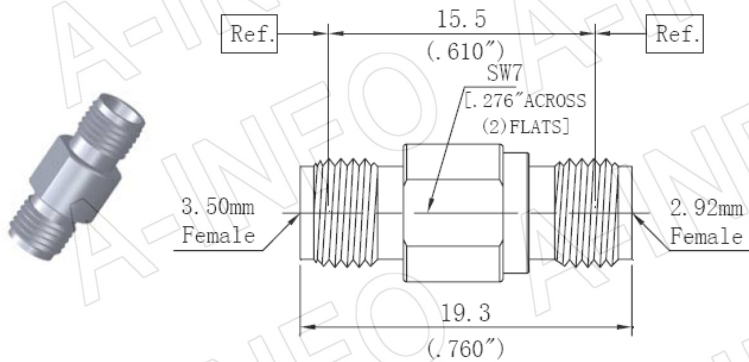
Housing: Type 303 Stainless Steel – Polished & Passivated

Center Contact: Beryllium Copper Plated Gold (MIL-G-45204)

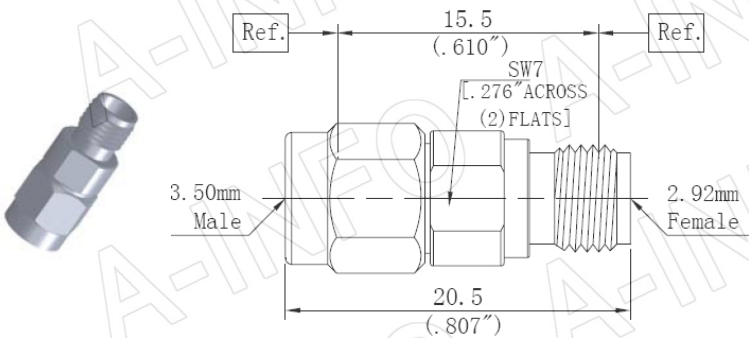
Insulators: PEI

3.5mm Interfaces: IEC-60169

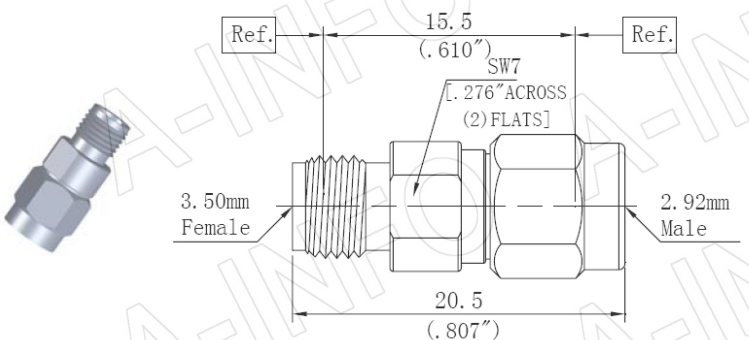
2.92mm Interfaces: MIL-STD-348A



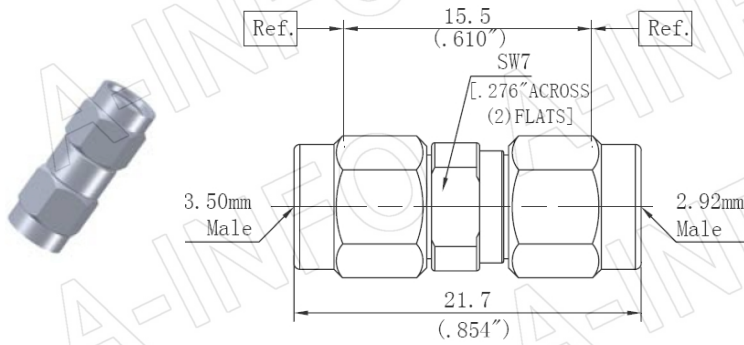
P/N	HPA131-01
Description	3.5mm/Female-2.92mm/Female
VSWR	DC-33GHz...1.15:1 max



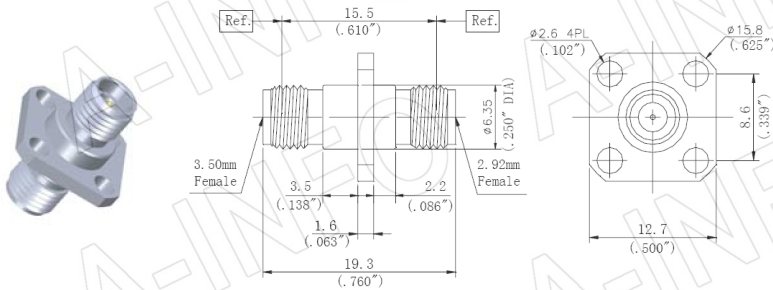
P/N	HPA131-02
Description	3.5mm/Male-2.92mm/Female
VSWR	DC-33GHz...1.15:1 max



P/N	HPA131-03
Description	3.5mm/Female-2.92mm/Male
VSWR	DC-33GHz...1.15:1 max



P/N	HPA131-04
Description	3.5mm/Male-2.92mm/Male
VSWR	DC-33GHz...1.15:1 max



P/N	HPA131-05
Description	3.5mm/Female-2.92mm/Female
VSWR	DC-33GHz...1.15:1 max

3.5mm-2.4mm Between Series Adapters

Performance Features

Nominal Impedance: 50ohm

Frequency Range: DC-33GHz

Durability: 500cycles

Operating Temperature: -55°C ~ +165°C

Materials/Finishes

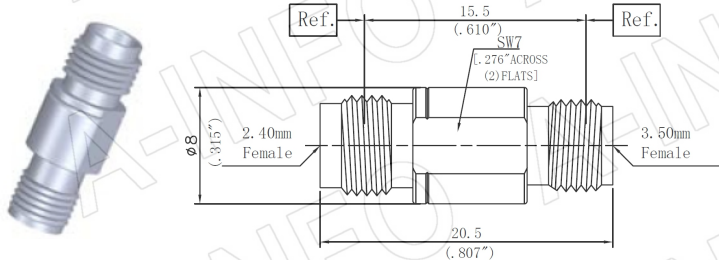
Housing: Type 303 Stainless Steel – Polished & Passivated

Center Contact: Beryllium Copper Plated Gold (MIL-G-45204)

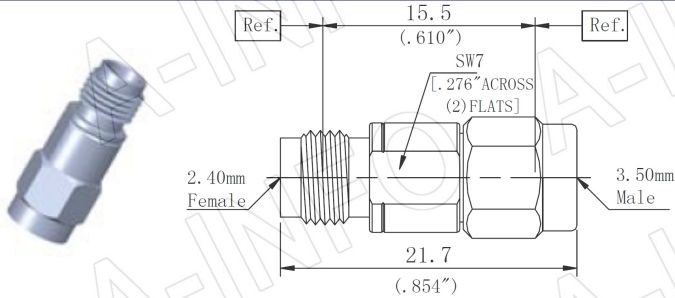
Insulators: PEI

3.5mm Interfaces: IEC-60169

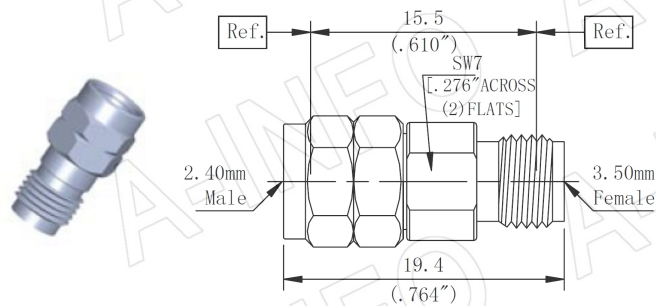
2.4mm Interfaces: STD 287-2007



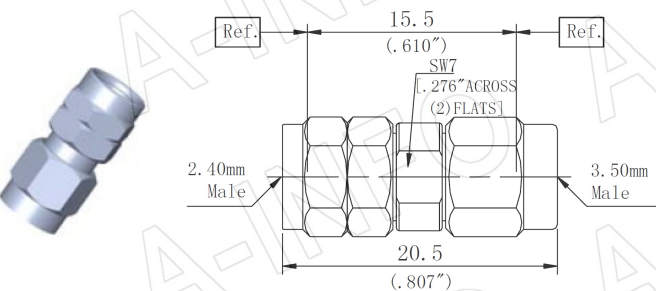
P/N	HPA132-01
Description	3.5mm/Female-2.4mm/Female
VSWR	DC-33GHz...1.15:1 max



P/N	HPA132-02
Description	3.5mm/Male-2.4mm/Female
VSWR	DC-33GHz...1.15:1 max



P/N	HPA132-03
Description	3.5mm/Female-2.4mm/Male
VSWR	DC-33GHz...1.15:1 max



P/N	HPA132-04
Description	3.5mm/Male-2.4mm/Male
VSWR	DC-33GHz...1.15:1 max

3.5mm-SMA Between Series Adapters

Performance Features

Nominal Impedance: 50ohm

Frequency Range: DC-27GHz

Durability: 500cycles

Operating Temperature: -55°C ~ +165°C

Materials/Finishes

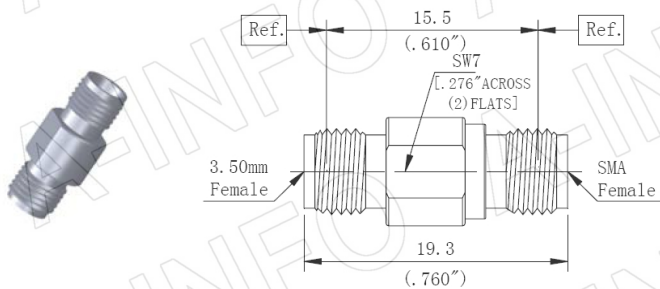
Housing: Type 303 Stainless Steel – Polished & Passivated

Center Contact: Beryllium Copper Plated Gold (MIL-G-45204)

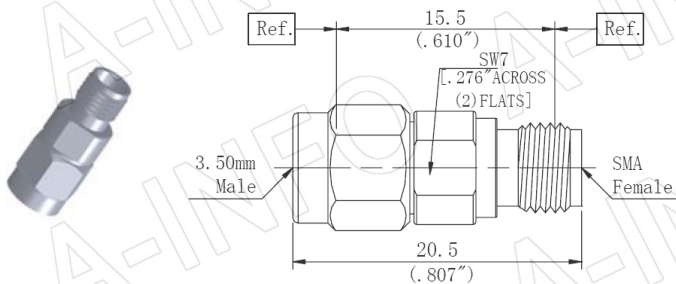
Insulators: PEI & PTFE

3.5mm Interfaces: IEC-60169

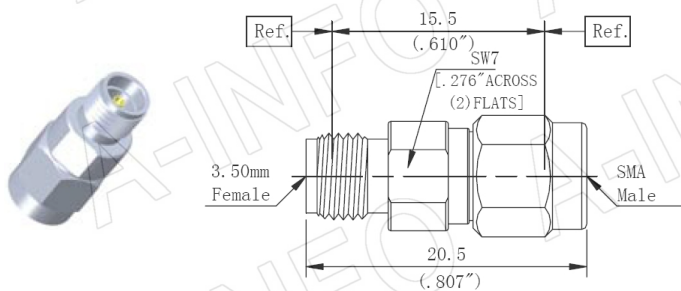
SMA Interfaces: MIL-STD-348A



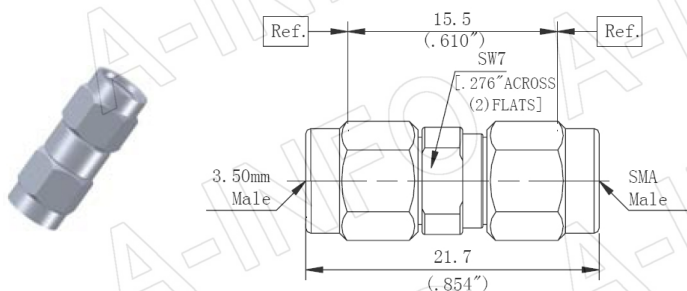
P/N	HPA133-01
Description	3.5mm/Female-SMA/Female
VSWR	DC-27GHz...1.15:1 max



P/N	HPA133-02
Description	3.5mm/Male-SMA/Female
VSWR	DC-27GHz...1.15:1 max



P/N	HPA133-03
Description	3.5mm/Female-SMA/Male
VSWR	DC-27GHz...1.15:1 max



P/N	HPA133-04
Description	3.5mm/Male-SMA/Male
VSWR	DC-27GHz...1.15:1 max

3.5mm-1.85mm Between Series Adapters

Performance Features

Nominal Impedance: 50ohm

Frequency Range: DC-33GHz

Durability: 500cycles

Operating Temperature: -55°C ~ +165°C

Materials/Finishes

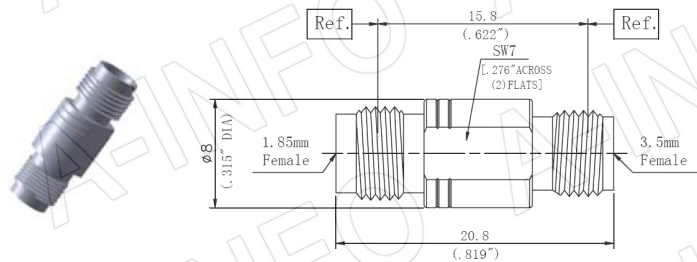
Housing: Type 303 Stainless Steel – Polished & Passivated

Center Contact: Beryllium Copper Plated Gold (MIL-G-45204)

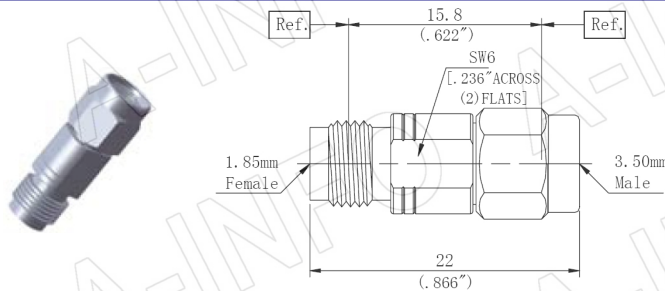
Insulators: PEI

3.5mm Interfaces: IEC-60169

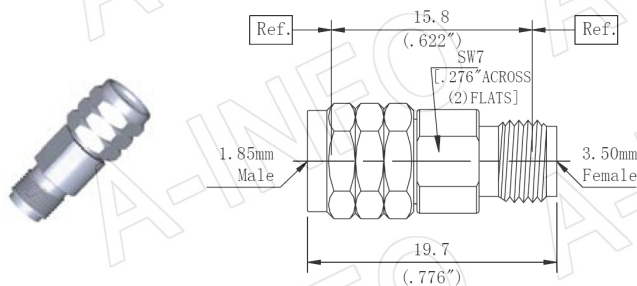
1.85mm Interfaces: IEC-61169



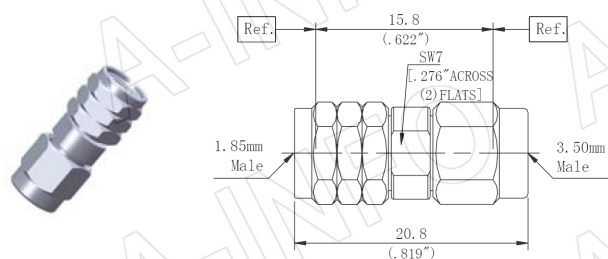
P/N	HPA134-01
Description	3.5mm/Female-1.85/Female
VSWR	DC-33GHz...1.15:1 max



P/N	HPA134-02
Description	3.5mm/Male-1.85/Female
VSWR	DC-33GHz...1.15:1 max



P/N	HPA134-03
Description	3.5mm/Female-1.85/Male
VSWR	DC-33GHz...1.15:1 max



P/N	HPA134-04
Description	3.5mm/Male-1.85/Male
VSWR	DC-33GHz...1.15:1 max

2.92mm-2.4mm Between Series Adapters

Performance Features

Nominal Impedance: 50ohm

Frequency Range: DC-40GHz

Durability: 500cycles

Operating Temperature: -55°C ~ +165°C

Materials/Finishes

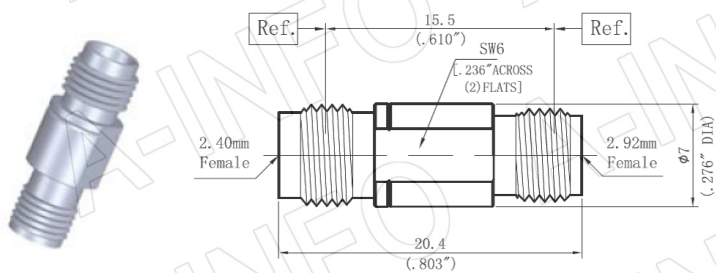
Housing: Type 303 Stainless Steel – Polished & Passivated

Center Contact: Beryllium Copper Plated Gold (MIL-G-45204)

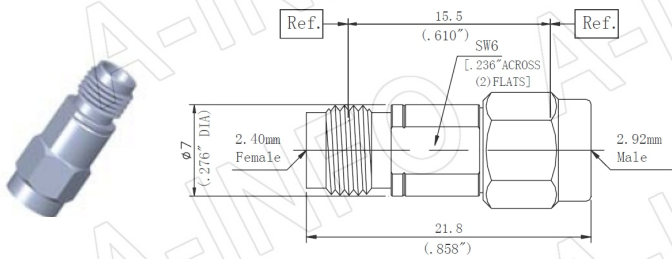
Insulators: PEI

2.92mm Interfaces: MIL-STD-348A

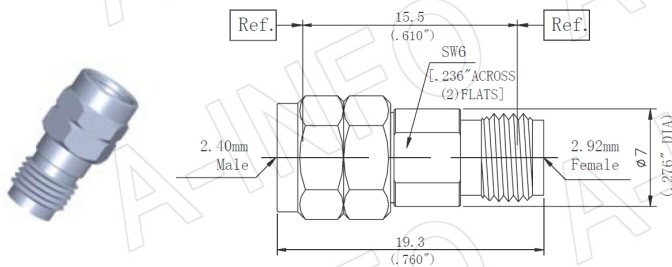
2.4mm Interfaces: STD 287-2007



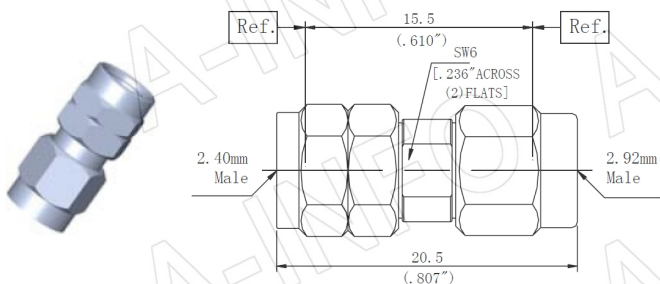
P/N	HPA151-01
Description	2.92mm/Female-2.4mm/Female
VSWR	DC-40GHz...1.20:1 max



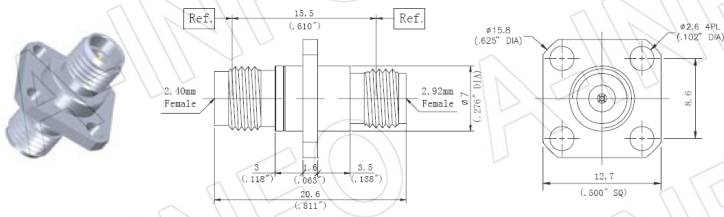
P/N	HPA151-02
Description	2.92mm/Male-2.4mm/Female
VSWR	DC-40GHz...1.15:1 max



P/N	HPA151-03
Description	2.92mm/Female-2.4mm/Male
VSWR	DC-40GHz...1.15:1 max



P/N	HPA151-04
Description	2.92mm/Male-2.4mm/Male
VSWR	DC-40GHz...1.15:1 max



P/N	HPA151-05
Description	2.92mm/Female-2.4mm/Female
VSWR	DC-40GHz...1.20:1 max

2.92mm-SMA Between Series Adapters

Performance Features

Nominal Impedance: 50ohm

Frequency Range: DC-27GHz

Durability: 500cycles

Operating Temperature: -55°C ~ +165°C

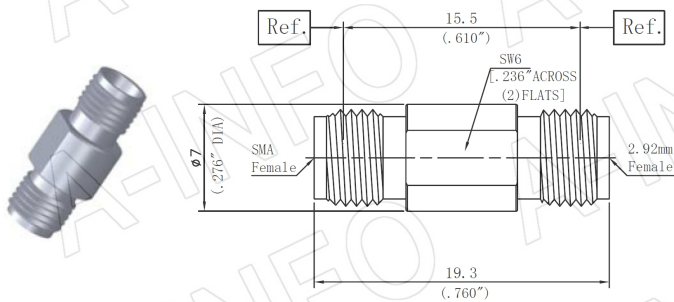
Materials/Finishes

Housing: Type 303 Stainless Steel – Passivated

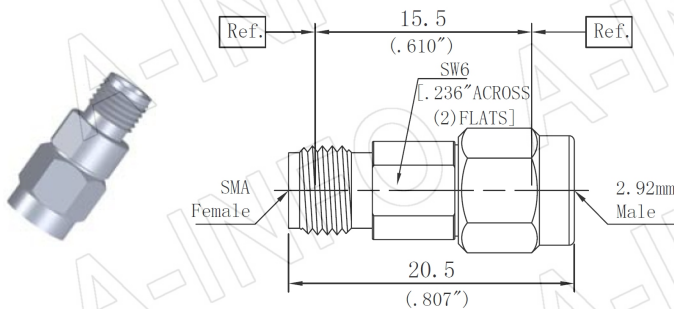
Center Contact: Beryllium Copper Plated Gold (MIL-G-45204)

Insulators: PEI & PTFE

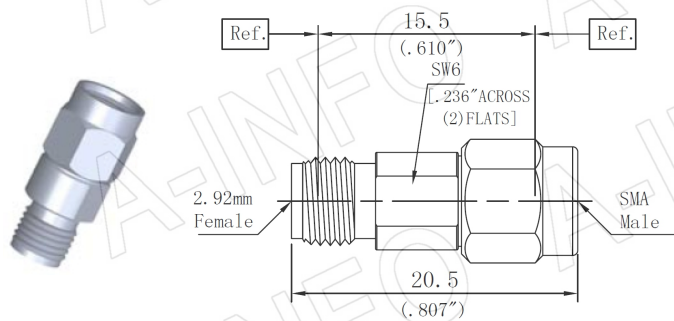
2.92mm/SMA Interfaces: MIL-STD-348A



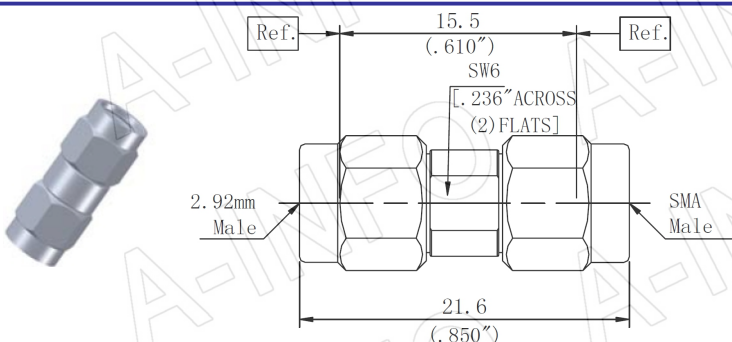
P/N	HPA152-01
Description	2.92mm/Female-SMA/Female
VSWR	DC-27GHz...1.15:1 max



P/N	HPA152-02
Description	2.92mm/Male-SMA/Female
VSWR	DC-27GHz...1.15:1 max



P/N	HPA152-03
Description	2.92mm/Female-SMA/Male
VSWR	DC-27GHz...1.15:1 max



P/N	HPA152-04
Description	2.92mm/Male-SMA/Male
VSWR	DC-27GHz...1.15:1 max

2.92mm-1.85mm Between Series Adapters

Performance Features

Nominal Impedance: 50ohm

Frequency Range: DC-40GHz

Durability: 500cycles

Operating Temperature: -55°C ~ +165°C

Materials/Finishes

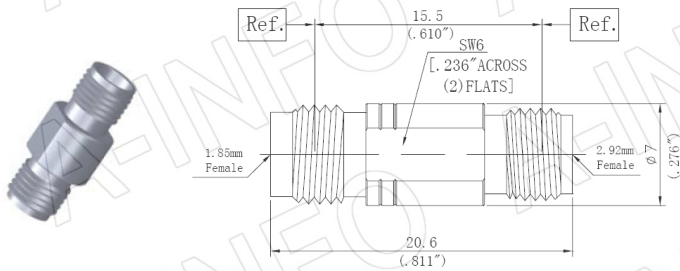
Housing: Type 303 Stainless Steel – Passivated

Center Contact: Beryllium Copper Plated Gold (MIL-G-45204)

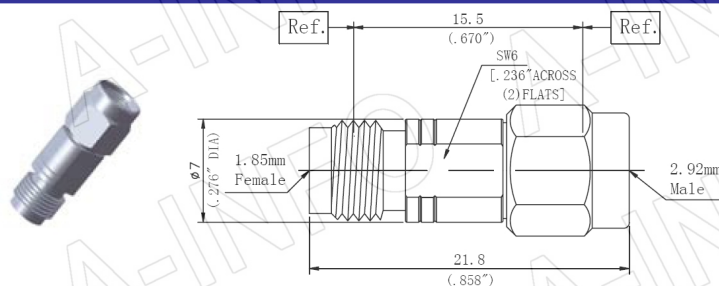
Insulators: PEI

2.92mm Interfaces: MIL-STD-348A

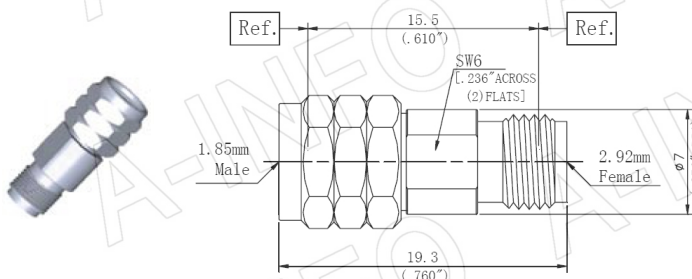
1.85mm Interfaces: IEC-61169



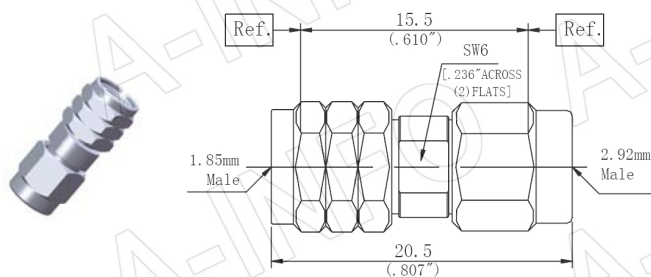
P/N	HPA153-01
Description	2.92mm/Female-1.85/Female
VSWR	DC-40GHz...1.20:1 max



P/N	HPA153-02
Description	2.92mm/Male-1.85/Female
VSWR	DC-40GHz...1.15:1 max



P/N	HPA153-03
Description	2.92mm/Female-1.85/Male
VSWR	DC-40GHz...1.15:1 max



P/N	HPA153-04
Description	2.92mm/Male-1.85/Male
VSWR	DC-40GHz...1.15:1 max

2.4mm-SMA Between Series Adapters

Performance Features

Nominal Impedance: 50ohm

Frequency Range: DC-27GHz

Durability: 500cycles

Operating Temperature: -55°C ~ +165°C

Materials/Finishes

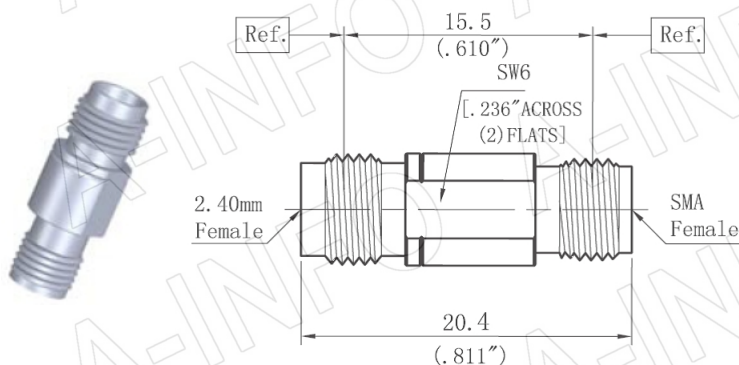
Housing: Type 303 Stainless Steel – Polished & Passivated

Center Contact: Beryllium Copper Plated Gold (MIL-G-45204)

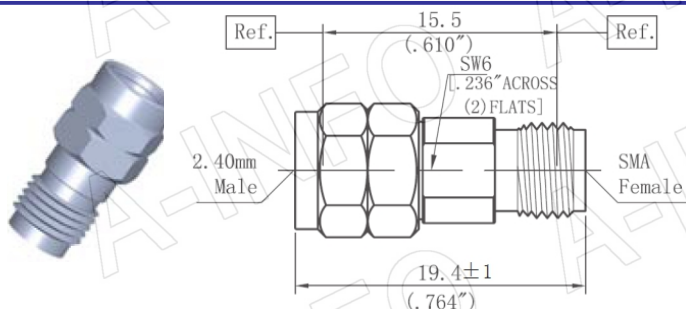
Insulators: PEI & PTFE

2.4mm Interfaces: STD 287-2007

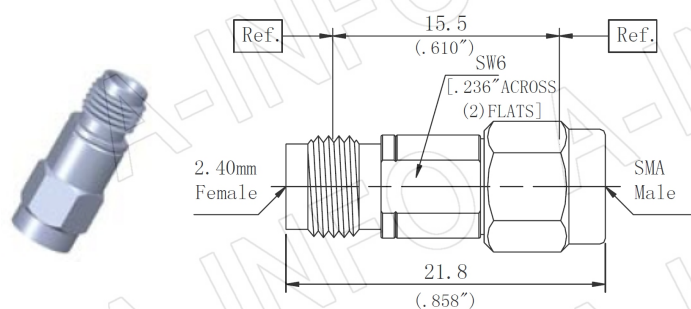
SMA Interfaces: MIL-STD-348A



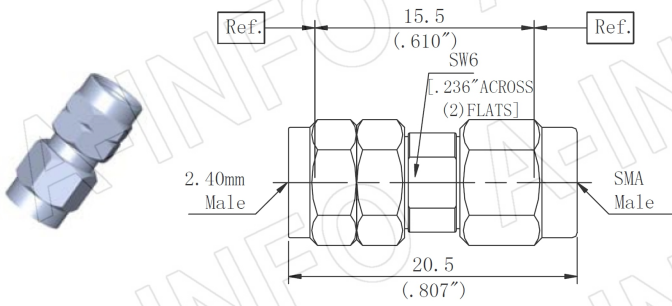
P/N	HPA161-01
Description	2.4mm/Female-SMA/Female
VSWR	DC-27GHz...1.15:1 max



P/N	HPA161-02
Description	2.4mm/Male-SMA/Female
VSWR	DC-27GHz...1.15:1 max



P/N	HPA161-03
Description	2.4mm/Female-SMA/Male
VSWR	DC-27GHz...1.15:1 max



P/N	HPA161-04
Description	2.4mm/Male-SMA/Male
VSWR	DC-27GHz...1.15:1 max

2.4mm-1.85mm Between Series Adapters

Performance Features

Nominal Impedance: 50ohm

Frequency Range: DC-50GHz

Durability: 500cycles

Operating Temperature: -55°C ~ +165°C

Materials/Finishes

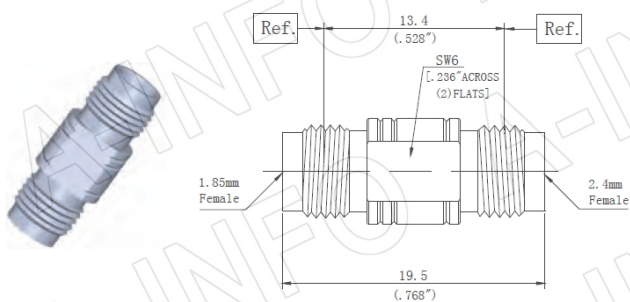
Housing: Type 303 Stainless Steel – Passivated

Center Contact: Beryllium Copper Plated Gold
(MIL-G-45204)

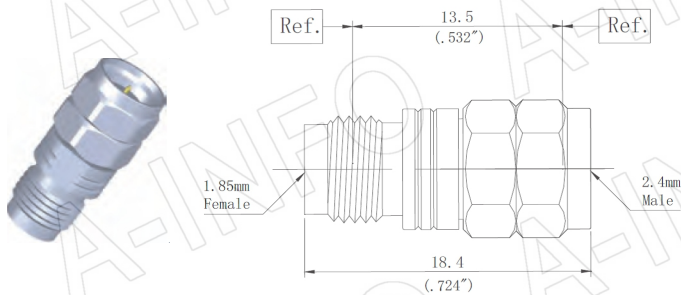
Insulators: PEI

2.4mm Interfaces: STD 287-2007

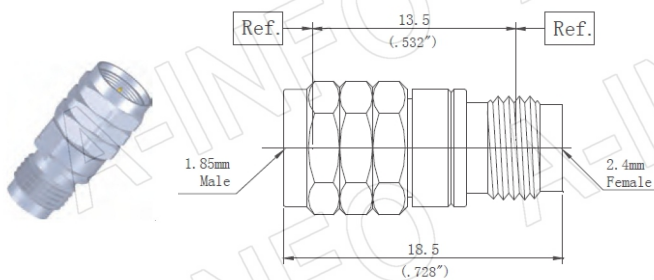
1.85mm Interfaces: IEC-61169



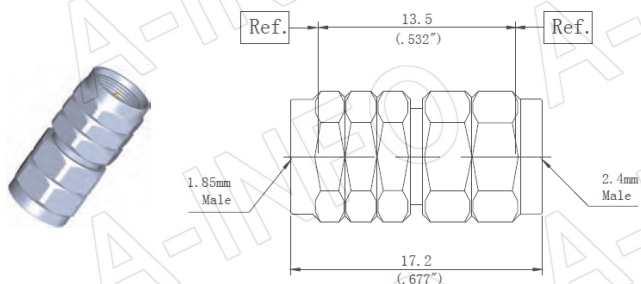
P/N	HPA162-01
Description	2.4mm/Female-1.85/Female
VSWR	DC-50GHz...1.25:1 max



P/N	HPA162-02
Description	2.4mm/Male-1.85/Female
VSWR	DC-50GHz...1.25:1 max



P/N	HPA162-03
Description	2.4mm/Female-1.85/Male
VSWR	DC-50GHz...1.25:1 max



P/N	HPA162-04
Description	2.4mm/Male-1.85/Male
VSWR	DC-50GHz...1.25:1 max

TNC-SMA Between Series Adapters

Performance Features

Nominal Impedance: 50ohm

Frequency Range: DC-11GHz

Durability: 500cycles

Operating Temperature: -55°C ~ +165°C

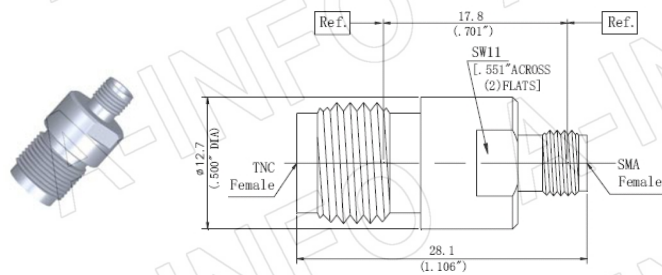
Materials/Finishes

Housing: Type 303 Stainless Steel – Polished & Passivated

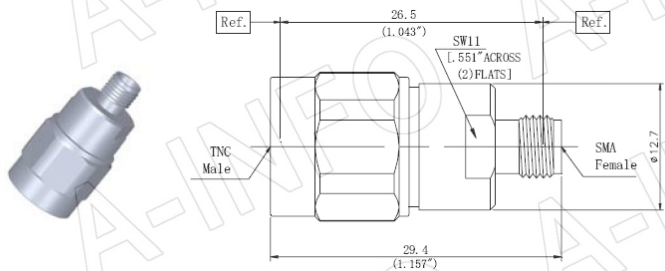
Center Contact: Beryllium Copper Plated Gold
(MIL-G-45204)

Insulators: PEI & PTFE

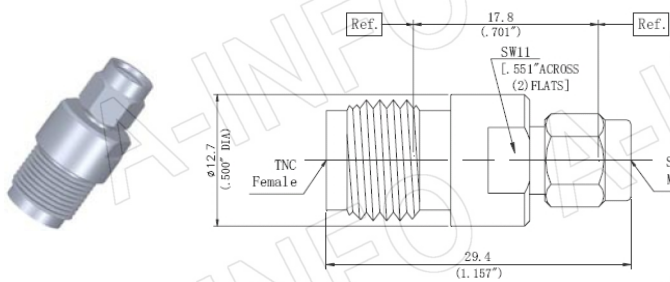
TNC/SMA Interfaces: MIL-STD-348A



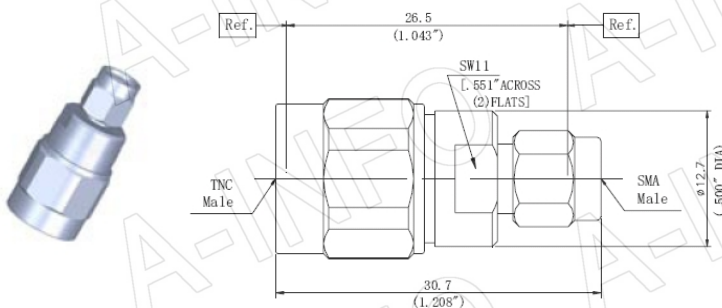
P/N	HPA171-01
Description	TNC/Female-SMA/Female
VSWR	DC-11GHz...1.15:1 max



P/N	HPA171-02
Description	TNC/Male-SMA/Female
VSWR	DC-11GHz...1.15:1 max



P/N	HPA171-03
Description	TNC/Female-SMA/Male
VSWR	DC-11GHz...1.15:1 max



P/N	HPA171-04
Description	TNC/Male-SMA/Male
VSWR	DC-11GHz...1.15:1 max

TNCA-SMA Between Series Adapters

Performance Features

Nominal Impedance: 50ohm

Frequency Range: DC-18GHz

Durability: 500cycles

Operating Temperature: -50°C ~ +165°C

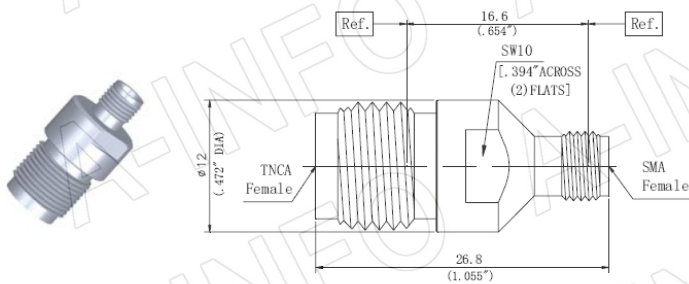
Materials/Finishes

Housing: Type 303 Stainless Steel – Polished & Passivated

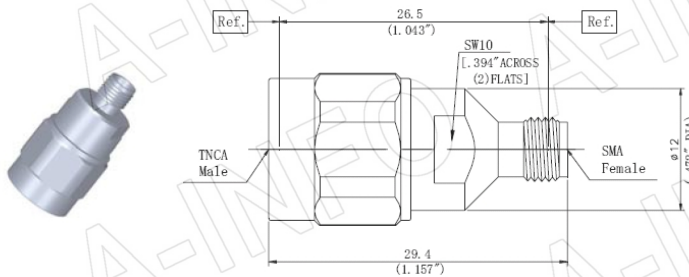
Center Contact: Beryllium Copper Plated Gold
(MIL-G-45204)

Insulators: PEI & PTFE

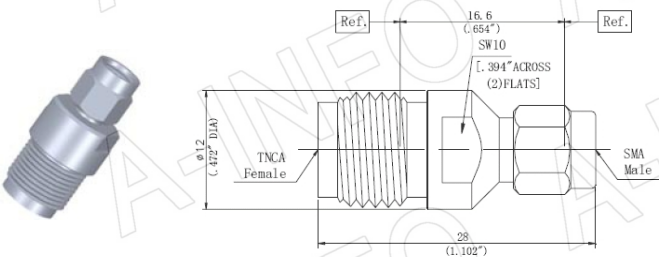
TNCA/SMA Interfaces: MIL-STD-348A



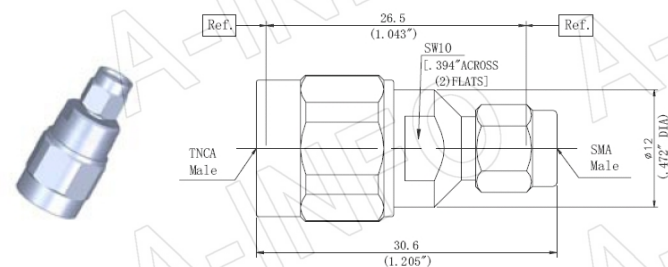
P/N	HPA172-01
Description	TNCA/Female-SMA/Female
VSWR	DC-18GHz...1.15:1 max



P/N	HPA172-02
Description	TNCA/Male-SMA/Female
VSWR	DC-18GHz...1.15:1 max



P/N	HPA172-03
Description	TNCA/Female-SMA/Male
VSWR	DC-18GHz...1.15:1 max



P/N	HPA172-04
Description	TNCA/Male-SMA/Male
VSWR	DC-18GHz...1.15:1 max

7mm Series Adapters

Performance Features

Nominal Impedance: 50ohm

Frequency Range: DC-18GHz

Durability: 500cycles

Operating Temperature: -55°C ~ +165°C

Materials/Finishes

Housing: Type 303 Stainless Steel – Polished & Passivated

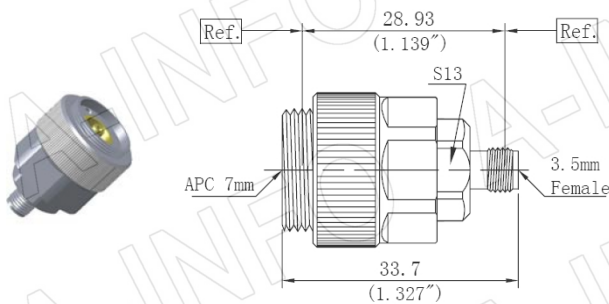
Center Contact: Beryllium Copper Plated Gold
(MIL-G-45204)

Insulators: PEI

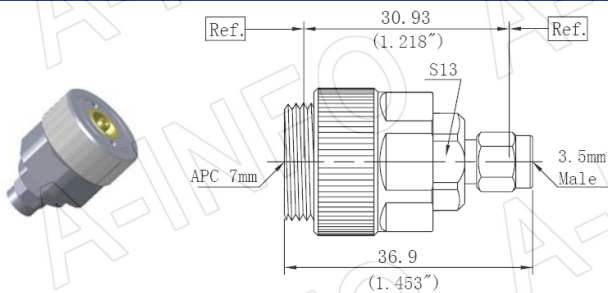
N Interfaces: MIL-STD-348A

7mm Interfaces: IEC-60457

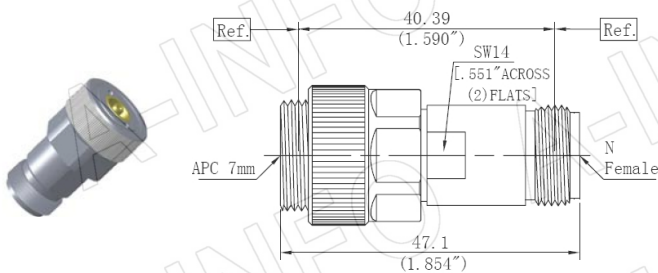
3.5mm Interfaces: IEC-60169



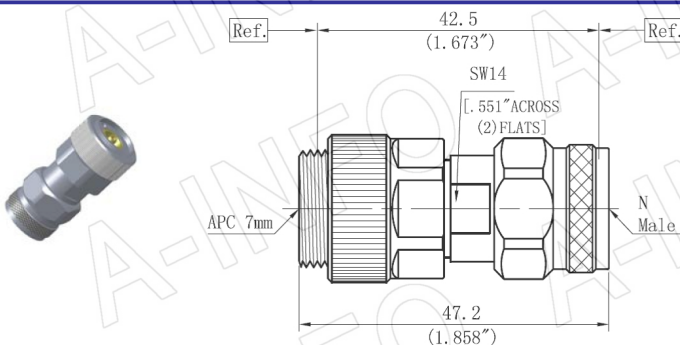
P/N	HPA181-01
Description	7mm-3.5mm/Female
VSWR	DC-18GHz...1.15:1 max



P/N	HPA181-02
Description	7mm-3.5mm/Male
VSWR	DC-18GHz...1.15:1 max



P/N	HPA181-03
Description	7mm-N/Female
VSWR	DC-18GHz...1.15:1 max



P/N	HPA181-04
Description	7mm-N/Male
VSWR	DC-18GHz...1.15:1 max

Quick Replacement Adapters

Performance Features

Nominal Impedance: 50ohm

Durability: 500cycles

Operating Temperature: -55°C ~ +165°C

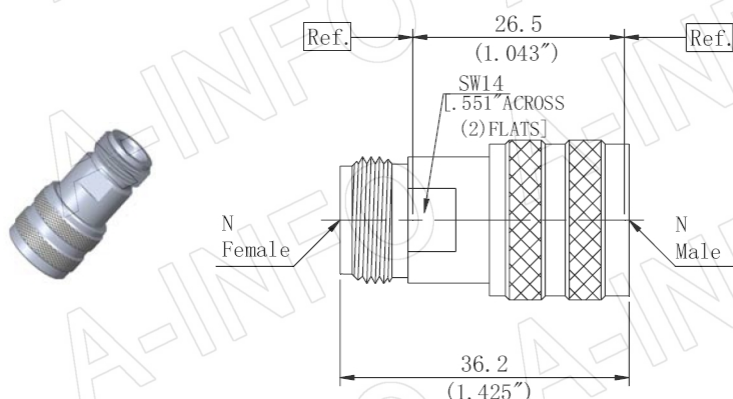
Materials/Finishes

Housing: Type 303 Stainless Steel-Polished & Passivated

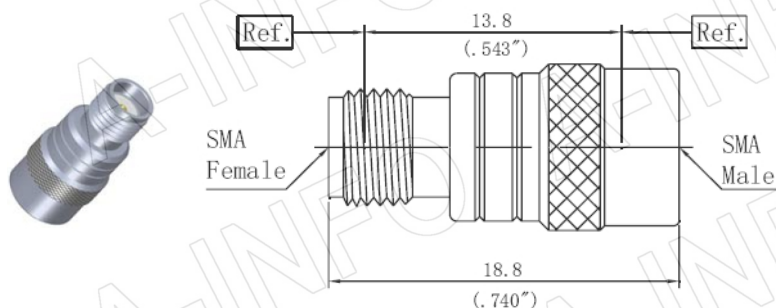
Center Contact: Beryllium Copper Plated Gold
(MIL-G-45204)

Insulators: PEI or PEI & PTFE

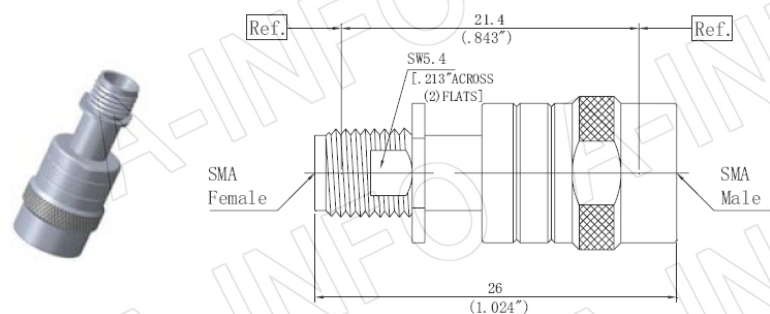
N/SMA Interfaces: MIL-STD-348A



P/N	HPA191-01
Description	N/Male-N/Female
VSWR	DC-18GHz...1.15:1 max



P/N	HPA191-02
Description	SMA/Male-SMA/Female
VSWR	DC-27GHz...1.20:1 max



P/N	HPA191-03
Description	SMA/Male-SMA/Female
VSWR	DC-27GHz...1.25:1 max

Adapter Kits

China(Beijing): Tel: (+86) 10-6266-7326,
China(Chengdu): Tel: (+86) 28-8519-2786,
USA : Tel: (+1) 949-639-9688,

(+86) 10-6266-7327 Fax: (+86) 10-6266-7379
(+86) 28-8519-3044 Fax: (+86) 28-8519-3068
(+1) 949-639-9608 Fax: (+1) 949-639-9670

Website: www.ainfoinc.com
Email: sales@ainfoinc.com

3.5mm Adapter Kits P/N S35			
P/N	Description	Page	Quantity
HPA113-01	3.5mm/Female-3.5mm/Female	95	2
HPA113-02	3.5mm/Male-3.5mm/Female	95	2
HPA113-03	3.5mm/Male-3.5mm/Male	95	2
HPA131-01	3.5mm/Female-2.92mm/Female	110	2
HPA131-02	3.5mm/Male-2.92mm/Female	110	2
HPA131-03	3.5mm/Female-2.92mm/Male	110	2
HPA131-04	3.5mm/Male-2.92mm/Male	111	2
HPA121-01	3.5mm/Female-N/Female	103	2
HPA121-02	3.5mm/Female-N/Male	103	2
HPA121-03	3.5mm/Male-N/Female	103	2
HPA121-04	3.5mm/Male-N/Male	103	2

2.92mm Adapter Kits P/N S36			
P/N	Description	Page	Quantity
HPA114-01	2.92mm/Female-2.92/Female	96	2
HPA114-02	2.92mm/Male-2.92mm/Female	96	2
HPA114-03	2.92mm/Male-2.92mm/Male	96	2
HPA131-01	2.92mm/Female-3.5mm/Female	110	2
HPA131-02	2.92mm/Female-3.5mm/Male	110	2
HPA131-03	2.92mm/Male-3.5mm/Female	110	2
HPA131-04	2.92mm/Male-3.5mm/Male	111	2
HPA151-01	2.92mm/Female-2.4mm/Female	115	2
HPA151-02	2.92mm/Male-2.4mm/Female	115	2
HPA151-03	2.92mm/Female-2.4mm/Male	115	2
HPA151-04	2.92mm/Male-2.4mm/Male	115	2
HPA152-01	2.92mm/Female-SMA/Female	117	2
HPA152-02	2.92mm/Male-SMA/Female	117	2
HPA152-03	2.92mm/Female-SMA/Male	117	2
HPA152-04	2.92mm/Male-SMA/Male	117	2
HPA122-01	2.92mm/Female-N/Female	104	2
HPA122-02	2.92mm/Female-N/Male	104	2
HPA122-03	2.92mm/Male-N/Female	104	2
HPA122-04	2.92mm/Male-N/Male	104	2

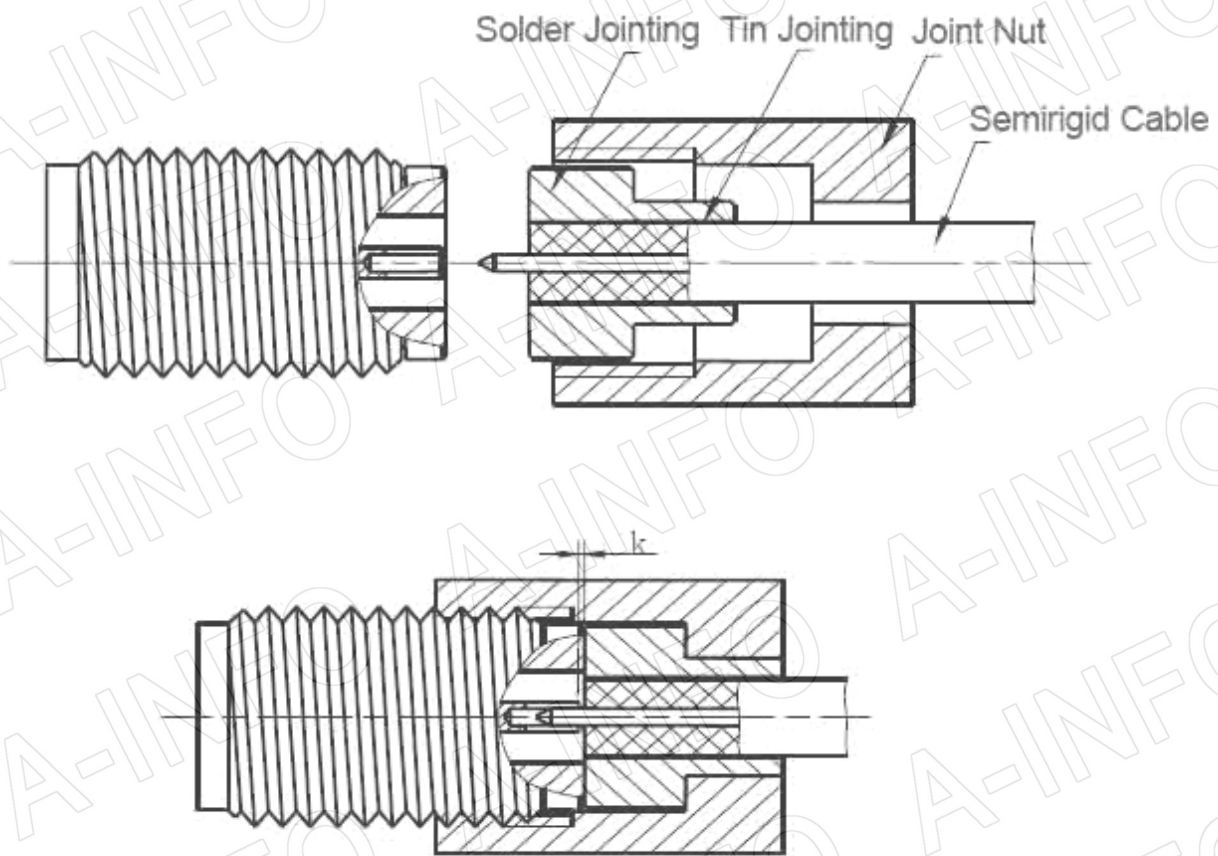
2.4mm Adapter Kits			
P/N S37			
P/N	Description	Page	Quantity
HPA115-01	2.4mm/Female-2.4mm/Female	99	2
HPA115-02	2.4mm/Male-2.4mm/Female	99	2
HPA115-03	2.4mm/Male-2.4mm/Male	99	2
HPA132-01	2.4mm/Female-3.5mm/Female	112	2
HPA132-02	2.4mm/Female-3.5mm/Male	112	2
HPA132-03	2.4mm/Male-3.5mm/Female	112	2
HPA132-04	2.4mm/Male-3.5mm/Male	112	2
HPA151-01	2.4mm/Female-2.92mm/Female	115	2
HPA151-02	2.4mm/Female-2.92mm/Male	115	2
HPA151-03	2.4mm/Male-2.92mm/Female	115	2
HPA151-04	2.4mm/Male-2.92mm/Male	115	2
HPA161-01	2.4mm/Female-SMA/Female	119	2
HPA161-02	2.4mm/Male-SMA/Female	119	2
HPA161-03	2.4mm/Female-SMA/Male	119	2
HPA161-04	2.4mm/Male-SMA/Male	119	2
HPA123-01	2.4mm/Female-N/Female	105	2
HPA123-02	2.4mm/Female-N/Male	105	2
HPA123-03	2.4mm/Male-N/Female	105	2
HPA123-04	2.4mm/Male-N/Male	105	2

Application Notes

Thread-in connector for cable assembly

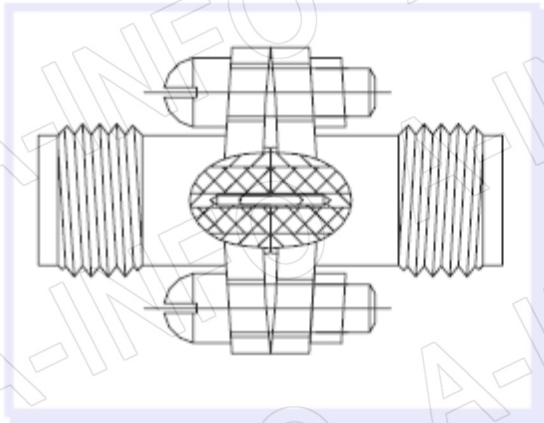
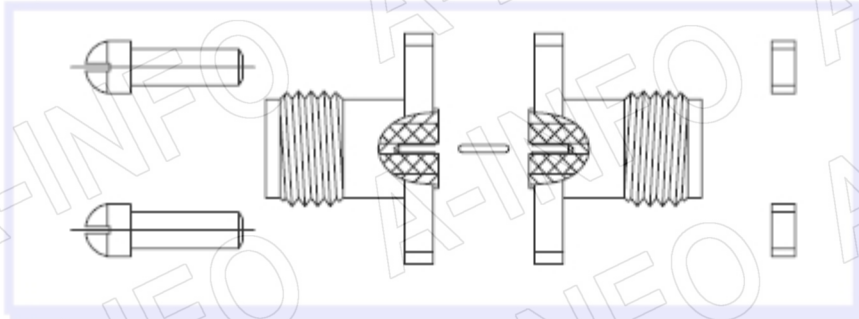
The SMA, 2.92mm, 2.4mm thread-in connectors offered by A-info can be used not only for microwave devices, but also for cable assemblies. The advantages are:

1. Good accordance by reducing requirement of soldering process;
2. Good compatibility, SMA, 2.92mm, 2.4mm connectors can be used exchangeable.

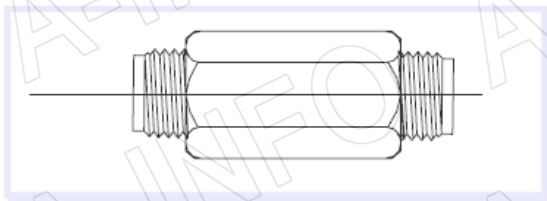
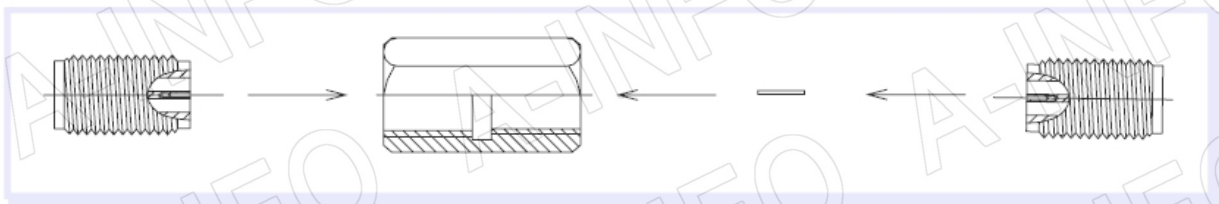


Back to Back Connector Testing Method

1、



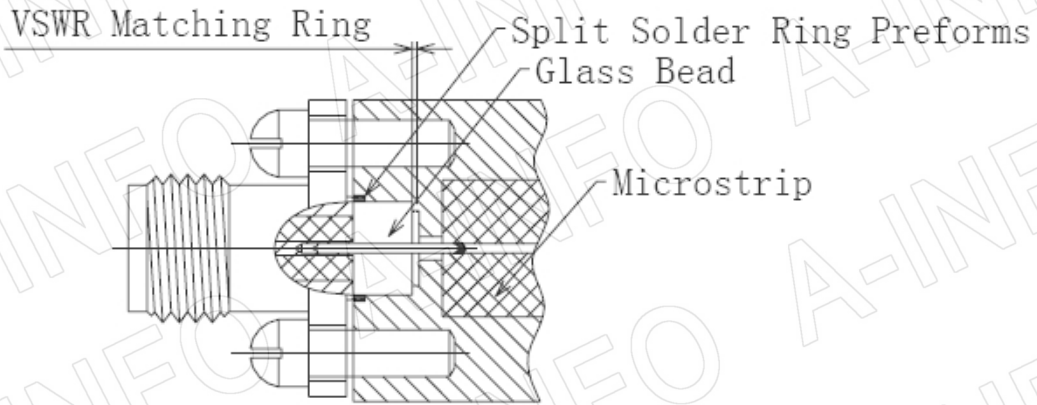
2、



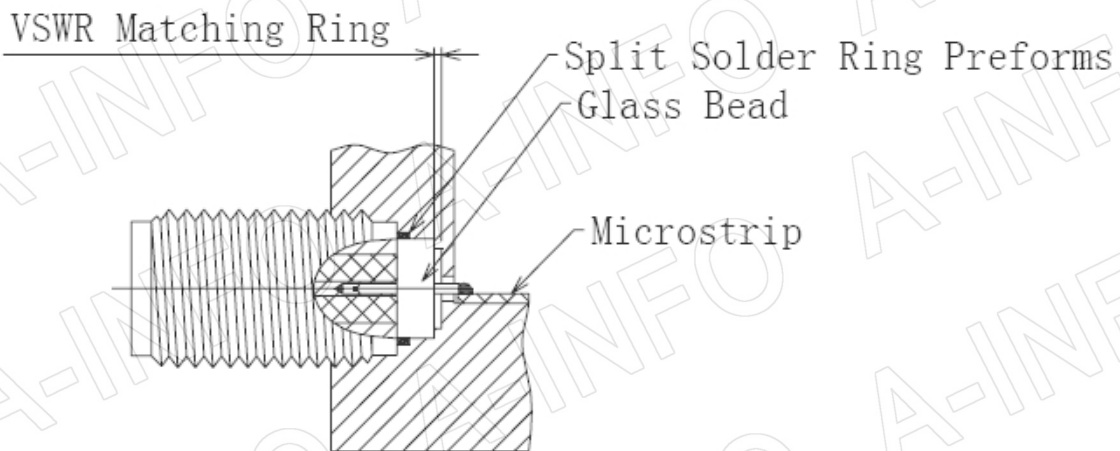
3、 Taking the square root of the peak VSWR will provide the value for a single connector.

Connector Installation Schematic Drawing

1、



2、

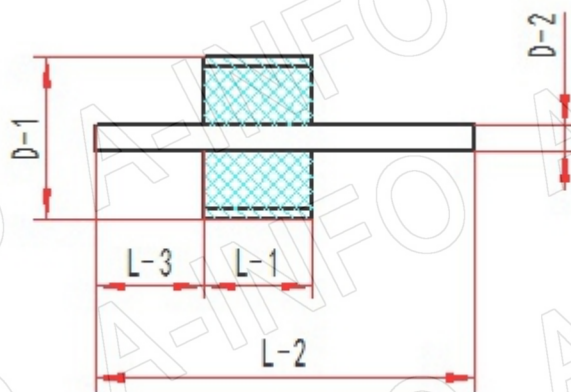


Glass Beads

Glass Beads



Straight Cut(ST)



P/N	Type	D-2	D-1	L-1	L-2	L-3
YL44150314	ST	0.3	2	1.4	4.4	1.5
YL80460314	ST	0.3	2	1.4	8	4.6
YL39040316	ST	0.3	2	1.6	3.9	0.4
YL80460316	ST	0.3	2	1.6	8	4.6
YL804603816	ST	0.38	2.5	1.6	8	4.6
YL1202003816	ST	0.38	2.5	1.6	12	2
YL902003820	ST	0.38	2.5	2	9	2
YL1202203830	ST	0.38	2.5	3	12	2.2
YL521104516	ST	0.45	2.8	1.6	5.2	1.1
YL804604516	ST	0.45	2.8	1.6	8	4.6
YL1203004516	ST	0.45	2.8	1.6	12	3
YL78200516	ST	0.5	3	1.6	7.8	2
YL120500516	ST	0.5	3	1.6	12	5
YL60150520	ST	0.5	3	2	6	1.5
YL65220520	ST	0.5	3	2	6.5	2.2
YL85220520	ST	0.5	3	2	8.5	2.2
YL120400520	ST	0.5	3	2	12	4
YL120500520	ST	0.5	3	2	12	5

Cable Assembly

DC-3GHz Cable Assembly

Performance Features

Nominal Impedance: 50ohm

Low Insertion Loss, Low VSWR

Frequency Range: DC-3GHz

High Stability

Operating Temperature: -40°C ~ +85°C

-XX: Customized Length(mm)

Connector: SMA, N available

Model	Freq. Range (GHz)	VSWR Max.	Insertion Loss (dB) Max.	Connector
SM-SM-SFD147A-3-XX	DC-3	1.10	0.90dB/m	SMA-Male/ SMA-Male

Model	Freq. Range (GHz)	VSWR Max.	Insertion Loss (dB) Max.	Connector
NM-NM-SFD147A-3-XX	DC-3	1.10	0.90dB/m	N-Male/ N-Male

DC-6GHz Cable Assembly

Performance Features

Nominal Impedance: 50ohm

Low Insertion Loss, Low VSWR

Frequency Range: DC-6GHz

High Stability

Operating Temperature: -40°C ~ +85°C

-XX: Customized Length(mm)

Connector: SMA, N available

Model	Freq. Range (GHz)	VSWR Max.	Insertion Loss (dB) Max.	Connector
SM-SM-SFD147A-6-XX	DC-6	1.15	1.50dB/m	SMA-Male/ SMA-Male

Model	Freq. Range (GHz)	VSWR Max.	Insertion Loss (dB) Max.	Connector
NM-NM-SFD147A-6-XX	DC-6	1.15	1.50dB/m	N-Male/ N-Male

DC-12GHz Cable Assembly

Performance Features

Nominal Impedance: 50ohm

Low Insertion Loss, Low VSWR

Frequency Range: DC-12GHz

High Stability

Operating Temperature: -40°C ~ +85°C

-XX: Customized Length(mm)

Connector: SMA, N available

Model	Freq. Range (GHz)	VSWR Max.	Insertion Loss (dB) Max.	Connector
SM-SM-SFD147A-12-XX	DC-12	1.25	2.0dB/m	SMA-Male/ SMA-Male
SM-SM-SFD210A-12-XX	DC-12	1.25	1.6dB/m	SMA-Male/ SMA-Male
SM-SM-SFD32051-12-XX	DC-12	1.25	1.2dB/m	SMA-Male/ SMA-Male
SM-SM-GORE3507-12-XX	DC-12	1.25	1.83dB/m	SMA-Male/ SMA-Male
SM-SM-GORE3449-12-XX	DC-12	1.25	1.36dB/m	SMA-Male/ SMA-Male
SM-SM-GORE3450-12-XX	DC-12	1.25	1.05dB/m	SMA-Male/ SMA-Male

Model	Freq. Range (GHz)	VSWR Max.	Insertion Loss (dB) Max.	Connector
NM-NM-SFD147A-12-XX	DC-12	1.30	2.0dB/m	N-Male/ N-Male
NM-NM-SFD210A-12-XX	DC-12	1.30	1.6dB/m	N-Male/ N-Male
NM-NM-SFD32051-12-XX	DC-12	1.30	1.2dB/m	N-Male/ N-Male
NM-NM-GORE3507-12-XX	DC-12	1.30	1.83dB/m	N-Male/ N-Male
NM-NM-GORE3449-12-XX	DC-12	1.30	1.36dB/m	N-Male/ N-Male
NM-NM-GORE3450-12-XX	DC-12	1.30	1.05dB/m	N-Male/ N-Male

DC-18GHz Cable Assembly

Performance Features

Nominal Impedance: 50ohm

Low Insertion Loss, Low VSWR

Frequency Range: DC-18GHz

High Stability

Operating Temperature: -40°C ~ +85°C

-XX: Customized Length(mm)

Connector: SMA, N available

Model	Freq. Range (GHz)	VSWR Max.	Insertion Loss (dB) Max.	Connector
SM-SM-SFD147A-18-XX	DC-18	1.25	2.45dB/m	SMA-Male/ SMA-Male
SM-SM-SFD210A-18-XX	DC-18	1.30	1.73dB/m	SMA-Male/ SMA-Male
SM-SM-SFD32051-18-XX	DC-18	1.30	1.32dB/m	SMA-Male/ SMA-Male
SM-SM-GORE3507-18-XX	DC-18	1.30	2.16dB/m	SMA-Male/ SMA-Male
SM-SM-GORE3449-18-XX	DC-18	1.25	1.56dB/m	SMA-Male/ SMA-Male
SM-SM-GORE3450-18-XX	DC-18	1.25	1.18dB/m	SMA-Male/ SMA-Male

Model	Freq. Range (GHz)	VSWR Max.	Insertion Loss (dB) Max.	Connector
NM-NM-SFD147A-18-XX	DC-18	1.30	2.45dB/m	N-Male/ N-Male
NM-NM-SFD210A-18-XX	DC-18	1.30	1.73dB/m	N-Male/ N-Male
NM-NM-SFD32051-18-XX	DC-18	1.30	1.32dB/m	N-Male/ N-Male
NM-NM-GORE3507-18-XX	DC-18	1.30	2.16dB/m	N-Male/ N-Male
NM-NM-GORE3449-18-XX	DC-18	1.30	1.56dB/m	N-Male/ N-Male
NM-NM-GORE3450-18-XX	DC-18	1.30	1.18dB/m	N-Male/ N-Male

DC-26.5GHz Cable Assembly

Performance Features

Nominal Impedance: 50ohm

Low Insertion Loss, Low VSWR

Frequency Range: DC-26.5GHz

High Stability

Operating Temperature: -40°C ~ +85°C

-XX: Customized Length(mm)

Connector: SMA, 3.5mm available

Model	Freq. Range (GHz)	VSWR Max.	Insertion Loss (dB) Max.	Connector
SM-SM-SFD147A-26.5-XX	DC-26.5	1.35	3.0dB/m	SMA-Male/ SMA-Male
SM-SM-SFD210A-26.5-XX	DC-26.5	1.35	2.4dB/m	SMA-Male/ SMA-Male
SM-SM-GORE3507-26.5-XX	DC-26.5	1.30	3.0dB/m	SMA-Male/ SMA-Male
SM-SM-GORE3449-26.5-XX	DC-26.5	1.30	2.4dB/m	SMA-Male/ SMA-Male

DC-40GHz Cable Assembly

Performance Features

Nominal Impedance: 50ohm

Low Insertion Loss, Low VSWR

Frequency Range: DC-40GHz

High Stability

Operating Temperature: -40°C ~ +85°C

-XX: Customized Length(mm)

Connector: 2.4mm, 2.92mm available

Model	Freq. Range (GHz)	VSWR Max.	Insertion Loss (dB) Max.	Connector
2.4M-2.4M-SFD147A-40-XX	DC-40	1.35	3.9dB/m	2.4mm-Male/ 2.4mm-Male
2.4M-2.4M-GORE3507-40-XX	DC-40	1.35	3.6dB/m	2.4mm-Male/ 2.4mm-Male

Model	Freq. Range (GHz)	VSWR Max.	Insertion Loss (dB) Max.	Connector
2.92M-2.92M-SFD147A-40-XX	DC-40	1.35	3.9dB/m	2.92mm-Male/ 2.92mm-Male
2.92M-2.92M-GORE3507-40-XX	DC-40	1.35	3.6dB/m	2.92mm-Male/ 2.92mm-Male

DC-50GHz Cable Assembly

Performance Features

Nominal Impedance: 50ohm

Low Insertion Loss, Low VSWR

Frequency Range: DC-50GHz

High Stability

Phase and Amplitude Stability

-XX: Customized Length(mm)

Connector: 2.4mm available

Model	Freq. Range (GHz)	VSWR Max.	Insertion Loss (dB) Max.	Connector
2.4M-2.4M-JMT50-XX	DC-50	1.35	4.2dB/m	2.4mm-Male/ 2.4mm-Male

DC-67GHz Cable Assembly

Performance Features

Nominal Impedance: 50ohm

Low Insertion Loss, Low VSWR

Frequency Range: DC-67GHz

High Stability

Phase and Amplitude Stability

-XX: Customized Length(mm)

Connector: 1.85mm available

Model	Freq. Range (GHz)	VSWR Max.	Insertion Loss (dB) Max.	Connector
1.85M-1.85M-JMT67-XX	DC-67	1.50	8.2dB/m	1.85mm-Male/ 1.85mm-Male

AINFO Inc.

Contact us (China Beijing office)

Address: Suite# 406, Building #5, #1 Nongda South Road,
Haidian District, Beijing, China. Post Code:100084

Tel: +86-10-6266-7326, +86-10-6266-7327

Fax: +86-10-6266-7379

Website: www.ainfoinc.com www.ainfoinc.cn

Email: sales@ainfoinc.com

AINFO Inc.

Contact us (China Chengdu office)

Address: Floor#2, Building#3, #5 Gaopeng East Road,
Chengdu, China. Post Code:610041

Tel: +86-28-8519-2786, +86-130-600-15760

Fax: +86-28-8619-3068

Website: www.ainfoinc.com www.ainfoinc.cn

Email: sales@ainfoinc.com

AINFO Inc.

Contact us (USA office)

Address: 60 Tesla, Irvine, CA 92618, USA

Tel: (+1) 949-639-9688, (+1) 949-639-9608

Fax: (+1) 949-639-9670

Website: www.ainfoinc.com www.ainfoinc.cn

Email: sales@ainfoinc.com